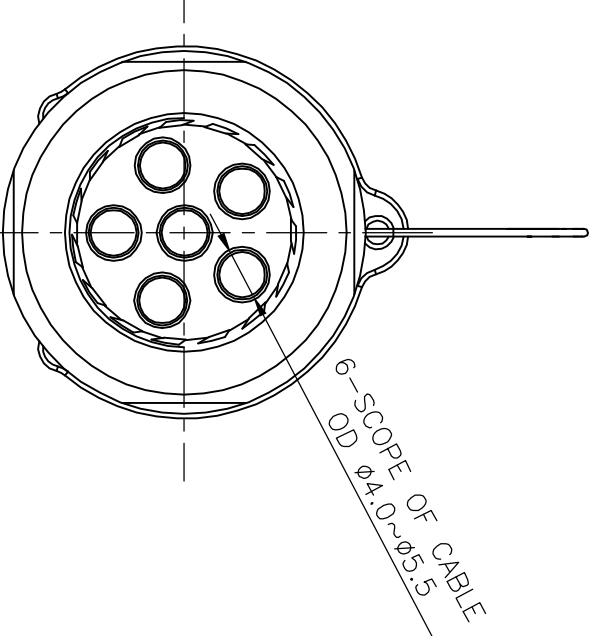
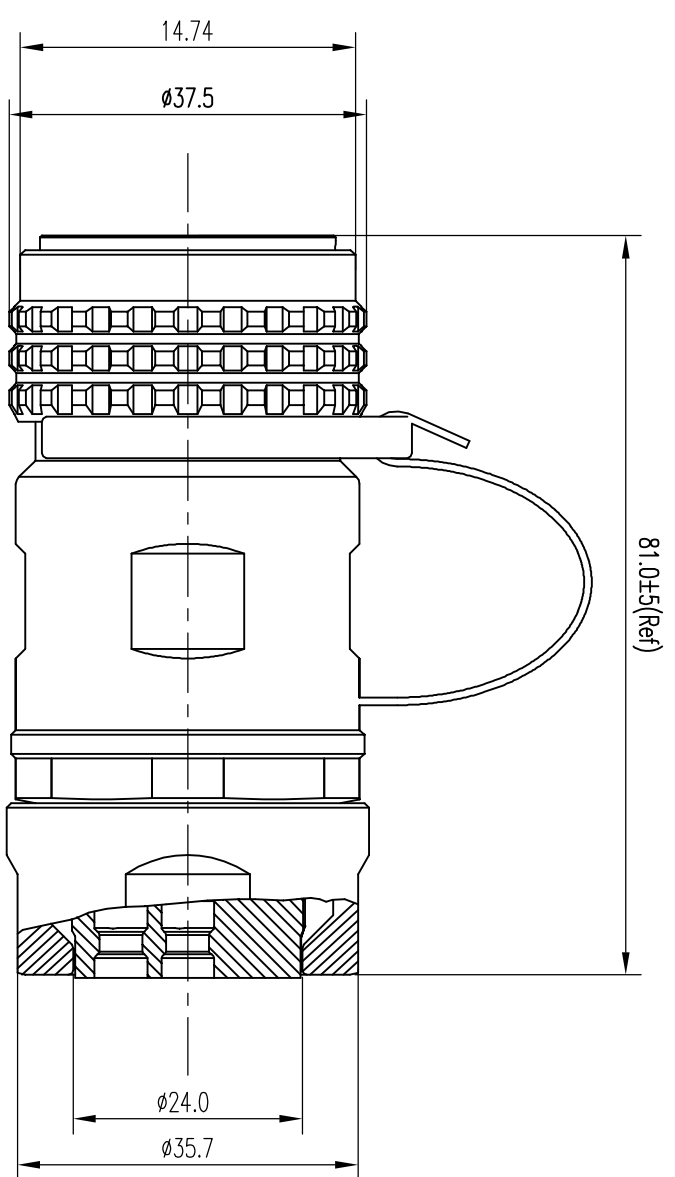
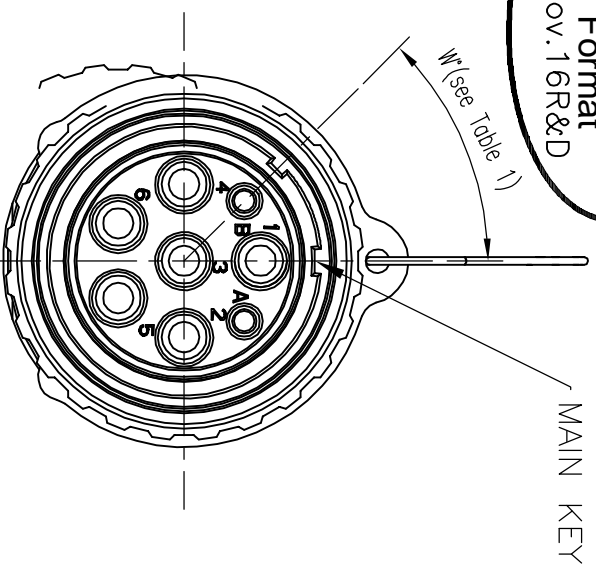


Amphenol PCDSSZ  
**ORIGINAL**  
 PDF Format  
 14 Nov.16R&D

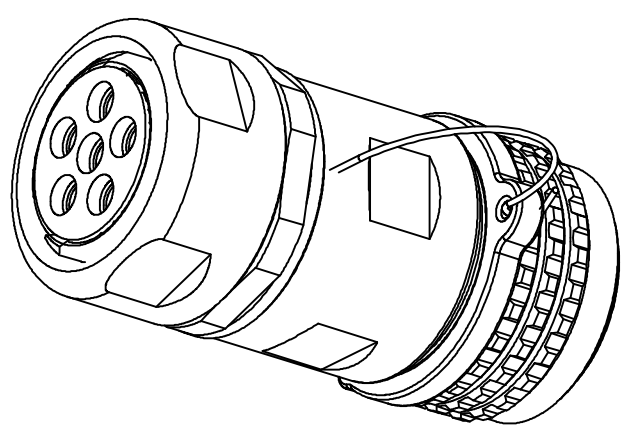


A, B HOLES FOR  $\phi 1.6$  SIGNAL PIN  
 1~6 HOLES FOR  $\phi 3.0$  POWER PIN

安费诺精密连接器(深圳)有限公司  
 Amphenol PCD Shenzhen  
**受控文件**  
 2017年10月12日

8. TABLE 2

| TECHNICAL DATA:                       |                           |
|---------------------------------------|---------------------------|
| CURRENT RATE 2.5MM <sup>2</sup> WIRE) | 23A@70°C                  |
| CURRENT RATE 4MM <sup>2</sup> WIRE    | 32A@70°C                  |
| UL RATING VOLTAGE POLLUTION DEGREE 2  | 800VDC                    |
| OPERATING TEMPERATURE                 | -40~125°C                 |
| DIELECTRIC WITHSTANDING VOLTAGE       | 3000V AC                  |
| INSULATION RESISTANCE                 | 2000MEGOHM MS MIN. (25°C) |
| DURABILITY                            | 500 CYCLES                |
| SHIELDING                             | --                        |
| WATERPROOF                            | IP67                      |
| CORROSION-PROOF GRADE (SALT FOG TEST) | 96 HOURS                  |



NOTES:

1. FINISHED PRODUCT DOES HAVE NOT THE PIN, NEED TO BUY SEPARATE.
2. THE BIG POWER PIN P/N FOR 4mm<sup>2</sup> CABLE: HVG30FS4, USE LEVEL: 6PCS OR 2.5mm<sup>2</sup> CABLE: HVG30FS2, USE LEVEL: 6PCS
3. THE SMALL SIGNAL PIN P/N: ASRC16SC001AU, USE LEVEL: 2PCS
4. TORQUE: 10 N.m
5. THE SCOPE OF CABLE OD  $\phi 4.0 \sim \phi 5.5$
6. THE PART NUMBER DESCRIPTION:  
 HVG1P406FC XXX 6D X L0000

7. TABLE 1

| ANGLE CODE | W(ANGLE) | COLOR CODE | COLOR  | P/N (FOR EXAMPLE)     |
|------------|----------|------------|--------|-----------------------|
| X          | 270°     | RD         | RED    | HVG1P406FCXRD6DXL0000 |
| Y          | 315°     | GN         | GREEN  | HVG1P406FCYGN6DXL0000 |
| Z          | 90°      | BL         | BLUE   | HVG1P406FCZBL6DXL0000 |
| W          | 45°      | YL         | YELLOW | HVG1P406FCWYL6DXL0000 |
| N          | NO KEY   | BK         | BLACK  | HVG1P406FCNBK6DXL0000 |

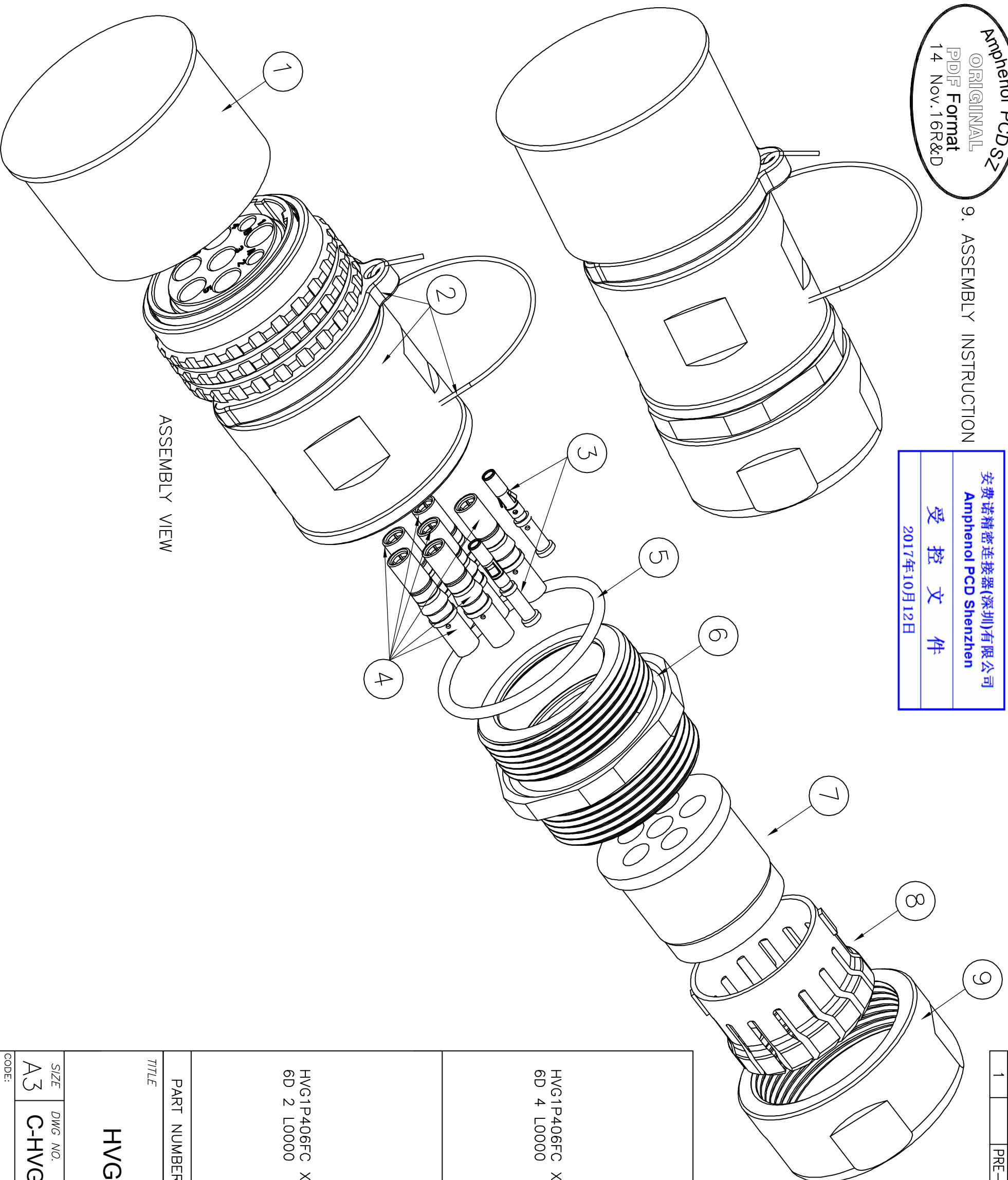
**HVG 406 PLUG ASSEMBLY**

|                       |                       |            |                                       |            |  |  |      |      |                         |       |        |     |
|-----------------------|-----------------------|------------|---------------------------------------|------------|--|--|------|------|-------------------------|-------|--------|-----|
| DIMENSIONS            | ANSI Y14.5M UNITS: MM | TOLERANCES | X ± 0.5<br>XX ± 0.20<br>ANGLES ± 0.5° | PROJECTION | ORIGINAL NOT FOR CUSTOMER DISTRIBUTION | THIS DOCUMENT CONTAINS PROPRIETARY INFORMATION WHICH IS THE CONFIDENTIAL PROPERTY OF AMPHENOL PCD SHENZHEN | CHKD | SIZE | DWG NO.                 | SCALE | SHEET  | REV |
|                       | CAD FILE              |            |                                       |            |  |  | APPD | A3   | C-HVG1P406FCXXX6DXL0000 | 5:4   | 1 OF 2 | 1   |
| TITLE                 |                       |            |                                       |            |  |  |      |      |                         |       |        |     |
| Amphenol Pcd Shenzhen |                       |            |                                       |            |  |  |      |      |                         |       |        |     |
| 2017.10.11            |                       |            |                                       |            |  |  |      |      |                         |       |        |     |

| REV | ECN | DESCRIPTION | DATE       | MODIFIED |
|-----|-----|-------------|------------|----------|
| 1   |     | PRE-RELEASE | 2017.10.11 |          |

9. ASSEMBLY INSTRUCTION

安费诺精密连接器(深圳)有限公司  
Amphenol PCD Shenzhen  
受控文件  
2017年10月12日



| REV | ECN | DESCRIPTION | DATE       | MODIFIED |
|-----|-----|-------------|------------|----------|
| 1   |     | PRE-RELEASE | 2017.10.11 | Jophy.Li |

|                              |   |               |   |
|------------------------------|---|---------------|---|
| HVG1P406FC XXX<br>6D 4 L0000 | 9 | C4200011108   | 1 |
|                              | 8 | C4220011108   | 1 |
|                              | 7 | C4270011101   | 1 |
|                              | 6 | C4200011107   | 1 |
|                              | 5 | C4270011102   | 1 |
|                              | 4 | HVG30FS4      | 6 |
|                              | 3 | ASRC16SC001AU | 2 |
|                              | 2 | MAIN BODY     | 1 |
|                              | 1 | C4220005987   | 1 |
| HVG1P406FC XXX<br>6D 2 L0000 | 9 | C4200011108   | 1 |
|                              | 8 | C4220011108   | 1 |
|                              | 7 | C4270011101   | 1 |
|                              | 6 | C4200011107   | 1 |
|                              | 5 | C4270011102   | 1 |
|                              | 4 | HVG30FS4      | 6 |
|                              | 3 | ASRC16SC001AU | 2 |
|                              | 2 | MAIN BODY     | 1 |
|                              | 1 | C4220005987   | 1 |

HVG 406 PLUG ASSEMBLY

| SIZE | DWG NO.                 | REV |
|------|-------------------------|-----|
| A3   | C-HVG1P406FCXXX6DXL0000 | 1   |

| CODE: | SCALE | SHEET  |
|-------|-------|--------|
|       | 5:4   | 2 OF 2 |