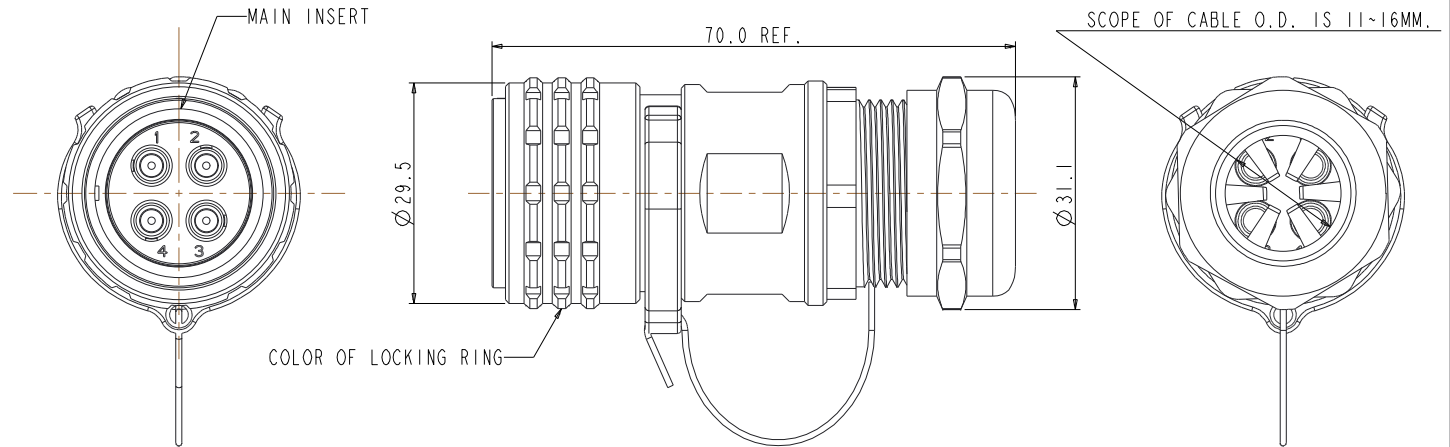


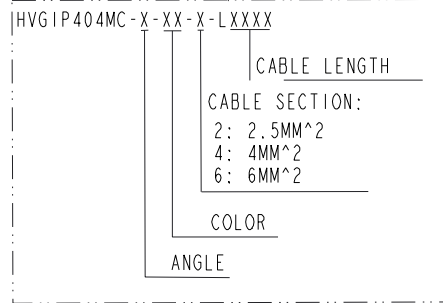
CUSTOMER DRAWING

REV	ECN	DESCRIPTION	DATE	MODIFIED
A		PUBLISH RELEASE	25-May-16	.

安费诺精密连接器(深圳)有限公司  
Amphenol PCD Shenzhen  
受控文件  
2019年9月24日



HOW TO ORDER THE PLUG:



NOTES:

- 1.FINISHED PRODUCT DOES HAVE NOT THE PIN,NEED TO BUY SEPARATE.
- 2.THE PIN P/N FOR 2.5MM<sup>2</sup> CABLE: HVG30M2,USE QTY.:4PCS/SET.  
OR THE PIN P/N FOR 4MM<sup>2</sup>-6MM<sup>2</sup> CABLE:HVG30M4,USE QTY.:4PCS/SET.
- 3.MINIMUM TORQUE:5N\*M.
- 4.THE SCOPE OF CABLE O.D.: 11~16MM.

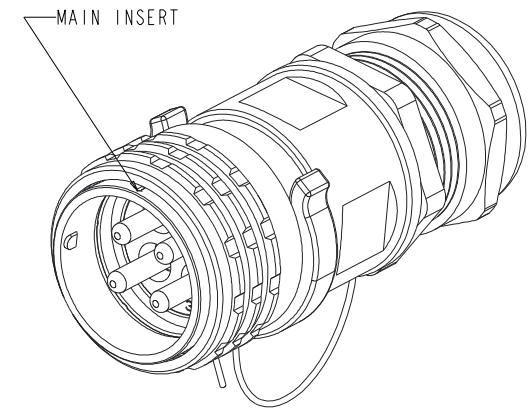
TABLE 1

ANGLE CODE	ANGLE	P/N
N	0°	HVGIP404MC
X	270°	HVGIP404MC-X
Y	315°	HVGIP404MC-Y
Z	90°	HVGIP404MC-Z
W	45°	HVGIP404MC-W

TABLE 2

COLOR CODE	COLOR	P/N
BK	BLACK	HVGIP404MC-*-BK
RD	RED	HVGIP404MC-*-RD
YE	YELLOW	HVGIP404MC-*-YL

TECHNICAL DATA	
CURRENT RATE 2.5MM <sup>2</sup> WIRE	23A
CURRENT RATE 4MM <sup>2</sup> WIRE	32A
CURRENT RATE 6MM <sup>2</sup> WIRE	40A
UL RATING VOLTAGE (POLLUTION DEGREE 2)	800V DC
OPERATING TEMPERATURE	-40-125°C
DIELECTRIC WITHSTANDING VOLTAGE	4000V
INSULATION RESISTANCE	2000MEGOHMS MIN.(25°C)
DURABILITY	500 CYCLES
SHIELDING	YES
WATERPROOF(mated condition)	IP67
CORROSION-PROOF GRADE(SALT FOG TEST)	48 HOURS
AMBIENT TEMPERATURE	-40-70°C



DIMENSIONS	TOLERANCES	PROJECTION	TITLE		
ANSI Y14.5M	.X ±0.5		<b>HVG 4 CORE PLUG SERIES</b>		
UNITS: MM	.XX ±0.20				
Pro/E FILE	ANGLES ±0.5°	ENGR	25-May-16	SIZE	DWG NO.
ORIGINAL	THIS DOCUMENT CONTAINS PROPRIETARY INFORMATION WHICH IS THE CONFIDENTIAL PROPERTY OF AMPHENOL PCD SHENZHEN	CHKD	APPD	A3	C-HVGP404MC-X-XX-X-LXXXX
NOT FOR CUSTOMER DISTRIBUTION		CODE: 58982		SCALE: 3:2	SHEET 1 OF 1

C-HVGP404MC-X-XX-X-LXXXX

C-HVGP404MC-X-XX-X-LXXXX