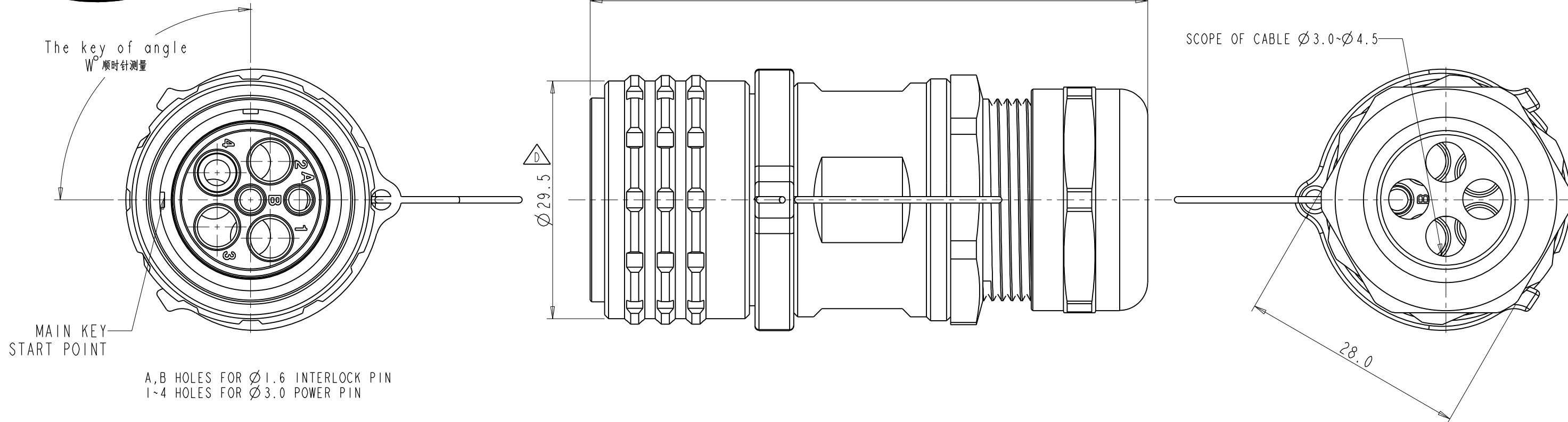


REV	ECN	DESCRIPTION	DATE	MODIFIED
A		PRE- RELEASE	2017.07.14	
B		UPDATE THE DRAWING	2017.08.18	
C		TORQUE CHANGED TO 8NM	2018.01.19	
D	C8126N	CHANGE DRAW ERROR	May-30-2024	

Amphenol PCD SZ
ORIGINAL
PDF Format
R&D



- NOTES:
1. FINISHED PRODUCT DOES HAVE NOT THE PIN, NEED TO BUY SEPARATE.
 2. THE POWER PIN P/N FOR 4MM² CABLE: HVG30FS4 OR HVG30F4, USE LEVEL: 4PCS OR 2.5MM² CABLE: HVG30FS2 OR HVG30F2, USE LEVEL: 4PCS
 3. THE INTERLOCK PIN P/N: ASRC16SC001AU, USE LEVEL: 2PCS
 4. TORQUE: 5~8N*M
 5. THE SCOPE OF CABLE OD= $\varnothing 3.0\text{-}\varnothing 4.5$
 6. TECHNICAL DATA TABLE

7. PART NUMBER DESCRIPTION:

HVGIP404FC	XXX	4D	X	L0000
KEY OF CODING OPTION		CABLE SIZE OPTION		
XRD: KEY A & RED($w^\circ=270^\circ$)	2: 2.5mm ² CABLE USE HVG30FS2 OR HVG30F2, USE LEVEL: 4PCS			
YGR: KEY B & GREEN($w^\circ=315^\circ$)	4: 4.0mm ² CABLE USE HVG30FS4 OR HVG30F4, USE LEVEL: 4PCS			
ZBL: KEY C & BLUE($w^\circ=90^\circ$)				
WYL: KEY D & YELLOW($w^\circ=45^\circ$)				
NBK: NO KEY & BLACK($w^\circ=0^\circ$)				

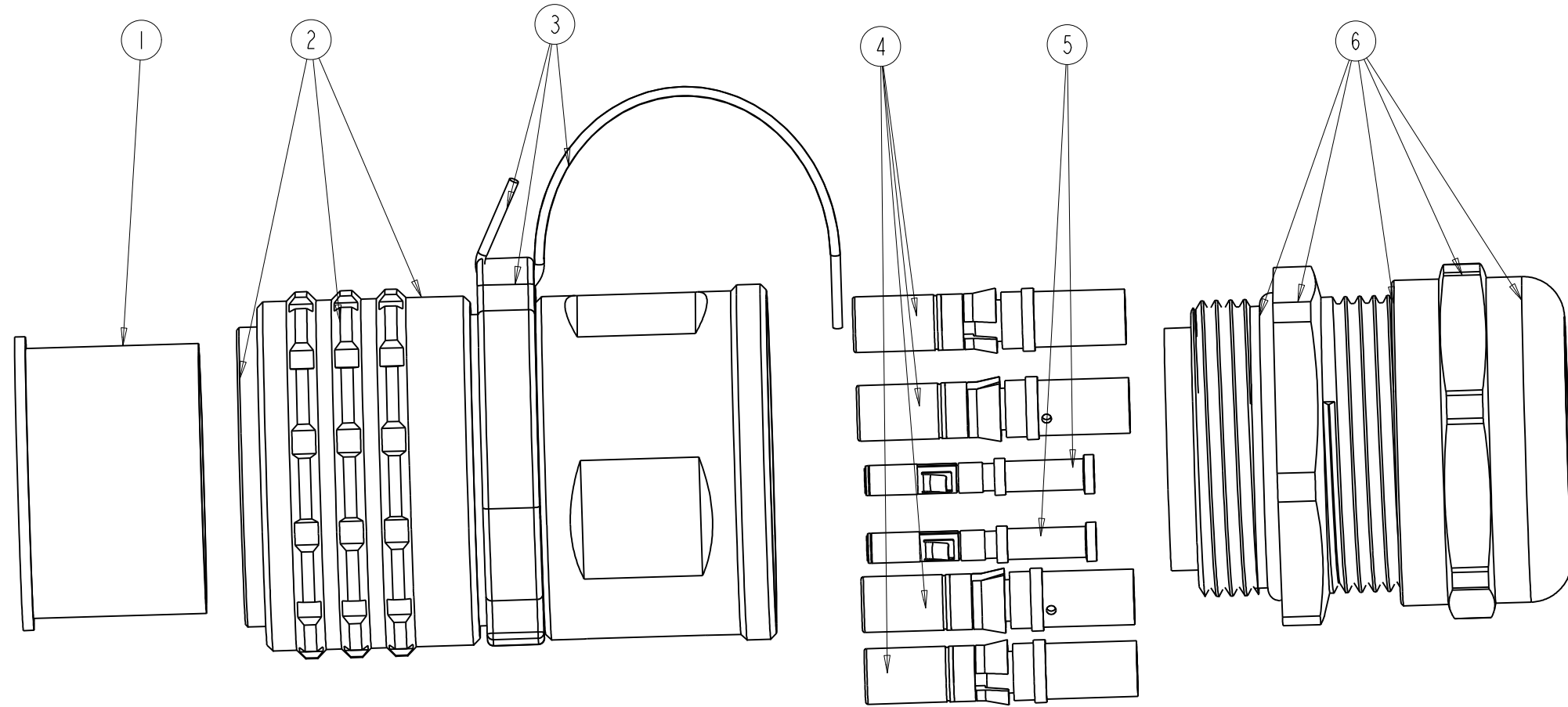
ANGLE CODE	ANGLE W°	COLOR CODE	COLOR	P/N (FOR EXAMPLE)
X	270°	RD	RED	HVGIP404FCXRD4DXL0000
Y	315°	GR	GREEN	HVGIP404FCYGR4DXL0000
Z	90°	BL	BLUE	HVGIP404FCZBL4DXL0000
W	45°	YL	YELLOW	HVGIP404FCWYL4DXL0000
N	NO KEY	BK	BLACK	HVGIP404FCNBK4DXL0000

① 8. SCOPE OF INTERLOCK CABLE OD 2.5 Max.(0.5~0.75mm² CABLE)

CURRENT RATE (4mm ² CABLE)	32A @ AMBIENT 70°C	+
CURRENT RATE (2.5mm ² CABLE)	23A @ AMBIENT 70°C	+
UL RATING VOLTAGE (OVERVOLTAGE CATEGORY II POLLUTION DEGREE 2)	800V DC	+
OPERATING TEMPERATURE	-40~125°C	
DIELECTRIC WITH STANDING VOLTAGE	3000V AC	+
INSULATION RESISTANCE	2000M Ω MIN. 25°C, NO CABLE	+
DURABILITY	500 CYCLES	○
SHIELDING	YES	○
WATERPROOF (MATED CONDITION)	IP 67	+
CORROSION-PROOF GRADE (SALT FOG TEST)	48 HOURS	
AMBIENT TEMPERATURE	-40~70°C	
TECHNICAL DESCRIPTION	TECHNICAL DATA	FEATURE
RoHS & REACH	YES	+

安费诺精密连接器(深圳)有限公司
Amphenol PCD Shenzhen
受控文件
2024年6月12日

DIMENSIONS	TOLERANCES	PROJECTION	TITLE		
ANSI Y14.5M UNITS: MM Pro/E FILE	.X ± 0.5 .XX ± 0.05 ANGLES $\pm 2^\circ$		HVG404 PLUG ASSEMBLY		
ORIGINAL	THIS DOCUMENT CONTAINS PROPRIETARY INFORMATION WHICH IS THE CONFIDENTIAL PROPERTY OF Amphenol PCD Shenzhen Co. Ltd RESERVES THE RIGHT TO CLARIFY THIS DRAWING	ENGR Jophy.Li	May-30-2024		REV D
		CHKD APPD	SIZE A3	DWG NO. C-HVGIP404FCXXX4DXL0000	SHEET 1 OF 2
			SCALE: 1:1		

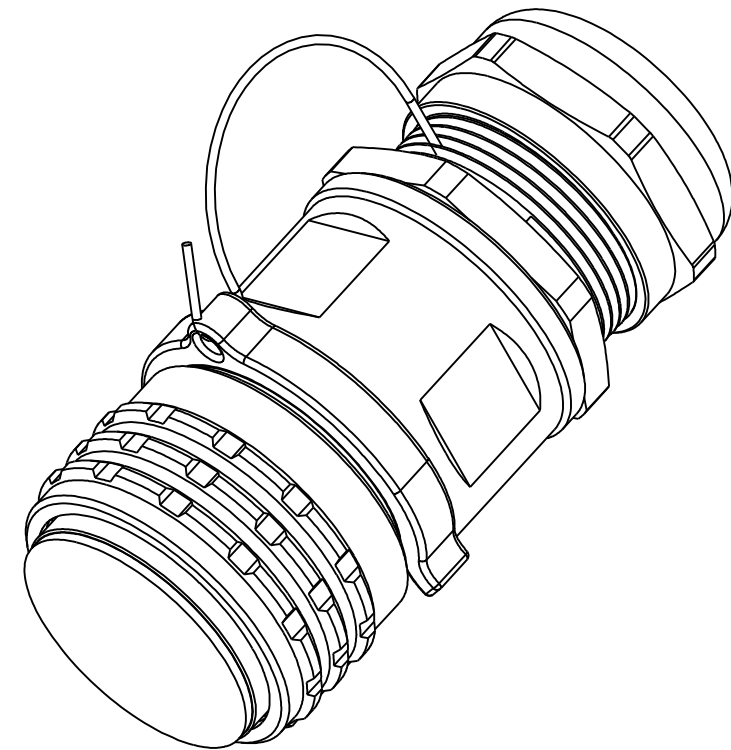


9. ASSEMBLY AND DETAIL BOM LIST SHOW

9.1. DETAIL BOM LIST

HVGIP404FC XXX 4D 4 L0000	6	C421005917	1	CABLE GLAND HSM-EMV.SC-M25
	5	ASRC16SC001AU	2	SMALL SIGNAL PIN $\varnothing 1.6$ (BUY SEPARATE)
	4	HVG30FS4 OR HVG30F4	4	4.0mm ² POWER PIN $\varnothing 3.0$ (BUY SEPARATE)
	3	C421005016	2	黑色8字铝扣_压0.8mm钢丝绳
		C421005016	0.3	0.8mm钢丝绳
		C422005806	1	CLIP FOR UNLOCK, SIZE4
	2	MAIN BODY	1	MAIN BODY
1	C422005984	1	DUST COVER	

HVGIP404FC XXX 4D 2 L0000	6	C421005917	1	CABLE GLAND HSM-EMV.SC-M25
	5	ASRC16SC001AU	2	SMALL SIGNAL PIN $\varnothing 1.6$ (BUY SEPARATE)
	4	HVG30FS2 OR HVG30F2	4	2.5MM ² POWER PIN $\varnothing 3.0$ (BUY SEPARATE)
	3	C421005016	2	黑色8字铝扣_压0.8mm钢丝绳
		C421005016	0.3	0.8mm钢丝绳
		C422005806	1	CLIP FOR UNLOCK, SIZE4
	2	MAIN BODY	1	MAIN BODY
1	C422005984	1	DUST COVER	
PART NUMBER	ITEAM	COMPONENT P/N	QUANTITY	DESCRIPTION



SIZE	DWG NO.	REV
A3	C-HVGIP404FCXXX4DXL0000	D
SCALE: 1:1		SHEET 2 OF 2