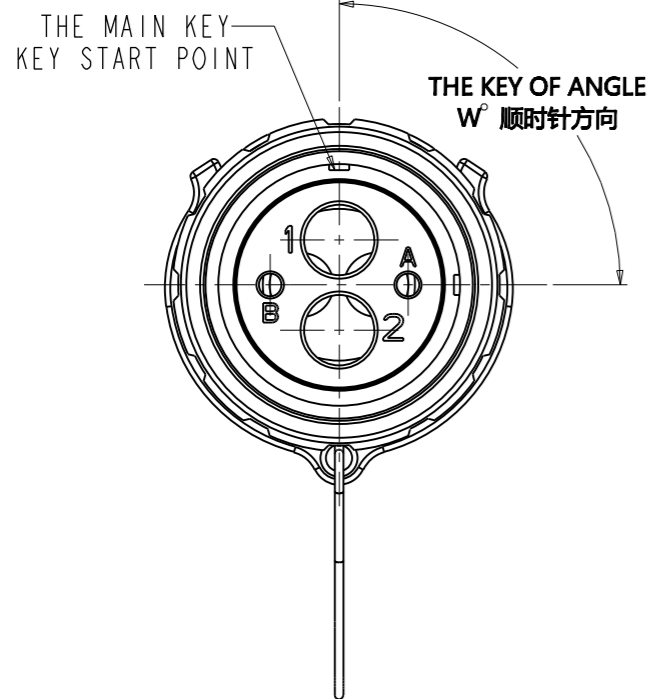
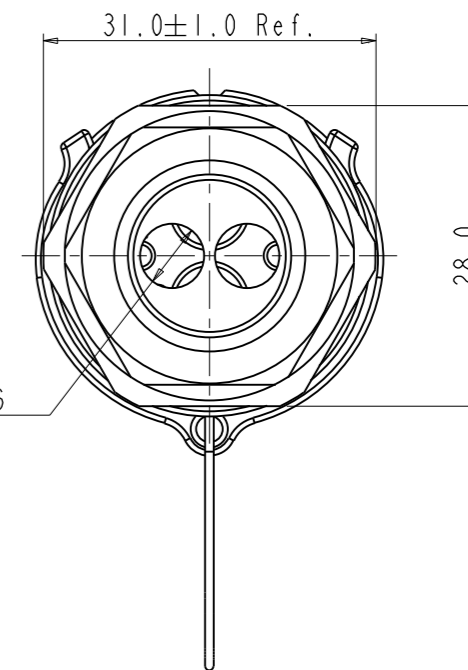
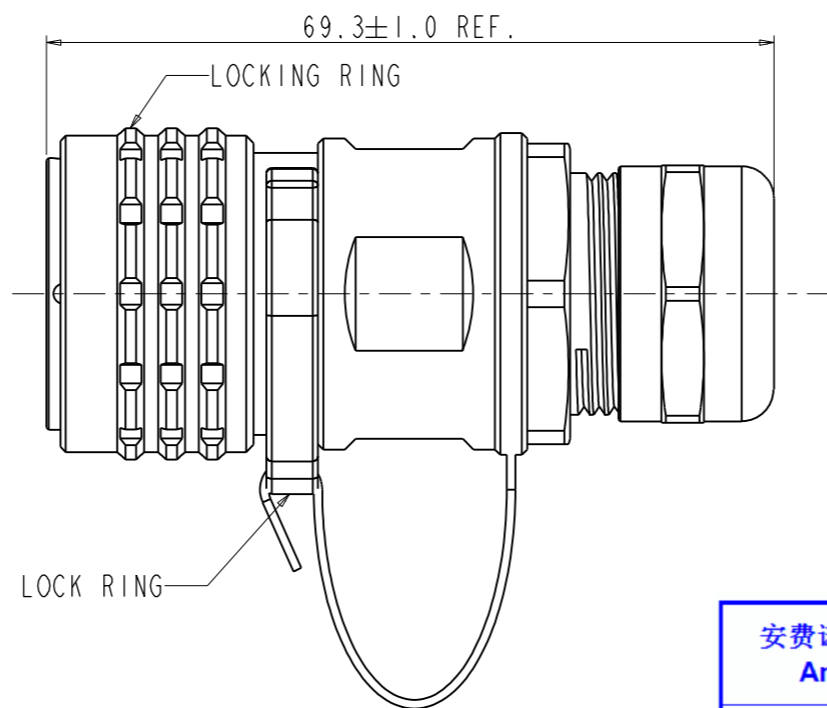


| REV | ECN | DESCRIPTION            | DATE       | MODIFIED |
|-----|-----|------------------------|------------|----------|
| 1   |     | UPDATE P/N DESCRIPTION | 2018.01.19 |          |
| 2   |     | SEE THE MARKING ②      | 2018.01.31 |          |

Amphenol PCDSZ  
ORIGINAL  
PDF Format  
R&D



A, B HOLES FOR  $\phi 1.0$  INTERLOCK PIN  
1-2 HOLES FOR  $\phi 3.6$  POWER PIN



安费诺精密连接器(深圳)有限公司  
Amphenol PCD Shenzhen

受控文件

2018年2月5日

NOTES:

1. FINISHED PRODUCT DOES HAVE NOT THE PIN, NEED TO BUY SEPARATE.
2. THE POWER PIN P/N FOR 10MM<sup>2</sup> CABLE: HVG30M10, USE LEVEL: 2PCS  
THE POWER PIN P/N FOR 6.0MM<sup>2</sup> CABLE: HVG30M6, USE LEVEL: 2PCS
3. THE INTERLOCK PIN P/N: HVG20M1, USE LEVEL: 2PCS
4. WIHT C TYPE LOCK RING AND DUST CAP.
5. TORQUE: 5~8N\*M
6. THE SCOPE OF CABLE OD= $\phi 4.5 \sim \phi 6.0$
7. TECHNICAL DATA TABLE

|  |  |         |
|--|--|---------|
| CURRENT RATE<br>(6mm <sup>2</sup> CABLE)                             | 40A @ AMBIENT 70° C                    | +       |
| CURRENT RATE<br>(10mm <sup>2</sup> CABLE)                            | 50A @ AMBIENT 70° C                    | +       |
| UL RATING VOLTAGE<br>(OVERVOLTAGE CATEGORY II<br>POLLUTION DEGREE 2) | 800V DC                                | +       |
| OPERATING TEMPERATURE  | -40~125° C                             |         |
| DIELECTRIC WITH STANDING<br>VOLTAGE                                  | 3000V AC                               | +       |
| INSULATION RESISTANCE  | 2000M $\Omega$ MIN.<br>25° C, NO CABLE | +       |
| DURABILITY   | 500 CYCLES                             | ○       |
| SHIELDING  | YES                                    | ○       |
| WATERPROOF<br>(MATED CONDITION)                                      | IP 67                                  | +       |
| AMBIENT TEMPERATURE  | -40~70° C                              |         |
| TECHNICAL DESCRIPTION  | TECHNICAL DATA                         | FEATURE |

8. PART NUMBER DESCRIPTION:

HVG1P492MC XXX 2D X L0000

② KEY OF CODING OPTION

NO CODE: NO KEY & BLACK( $w^\circ = 0^\circ$ )  
X : KEY X & BLACK( $w^\circ = 270^\circ$ )  
Y : KEY Y & BLACK( $w^\circ = 315^\circ$ )  
Z : KEY Z & BLACK( $w^\circ = 90^\circ$ )  
W : KEY W & BLACK( $w^\circ = 45^\circ$ )  
XRD: KEY X & RED( $w^\circ = 270^\circ$ )  
YYL: KEY Y & YELLOW( $w^\circ = 315^\circ$ )  
ZBL: KEY Z & BLUE( $w^\circ = 90^\circ$ )  
WGR: KEY W & GREEN( $w^\circ = 45^\circ$ )

CABLE SIZE OPTION

6: 6.0mm<sup>2</sup> CABLE USE HVG30M6,  
USE LEVEL: 2PCS  
A: 10mm<sup>2</sup> CABLE USE HVG30M10,  
USE LEVEL: 2PCS

| ANGLE CODE | ANGLE OF KEY(W°) | COLOR CODE | COLOR OF LOCKING RING | P/N(FOR EXAMPLE)          |
|------------|------------------|------------|-----------------------|---------------------------|
| NO CODE    | 0°               | NO CODE    | BLACK                 | HVG1P492MC 2D X L0000     |
| X          | 270°             | RD         | RED                   | HVG1P492MC XRD 2D X L0000 |
| Y          | 315°             | YL         | YELLOW                | HVG1P492MC YYL 2D X L0000 |
| Z          | 90°              | BL         | BLUE                  | HVG1P492MC ZBL 2D X L0000 |
| W          | 45°              | GR         | GREEN                 | HVG1P492MC WGR 2D X L0000 |
| X          | 270°             | NO CODE    | BLACK                 | HVG1P492MC X 2D X L0000   |
| Y          | 315°             |            |                       | HVG1P492MC Y 2D X L0000   |
| Z          | 90°              |            |                       | HVG1P492MC Z 2D X L0000   |
| W          | 45°              |            |                       | HVG1P492MC W 2D X L0000   |

9. SCOPE OF INNER UNSHIELD CABLE OUTSIDE DIAMETER :

6.0 & 10 mm<sup>2</sup> OD 6.0 Max.  
INTERLOCK CABLE OD 2.5 Max.(0.5~0.75mm<sup>2</sup> CABLE)

| DIMENSIONS                                      | TOLERANCES  | PROJECTION                         | TITLE                                    |                                    |          |
|---|---|------------------------------------|--|------------------------------------|----------|
| ANSI Y14.5M<br>UNITS: MM<br>Pro/E FILE          | .X $\pm 0.5$<br>.XX $\pm 0.05$<br>ANGLES $\pm 0.5^\circ$  |                                    | TWO CORE PLUG ASSEMBLY<br>WITH INTERLOCK |                                    |          |
| ORIGINAL<br>NOT FOR<br>CUSTOMER<br>DISTRIBUTION | THIS DOCUMENT CONTAINS<br>PROPRIETARY INFORMATION WHICH<br>IS THE CONFIDENTIAL PROPERTY<br>OF AMPHENOL PCD SHENZHEN | ENGR<br>2018.01.31<br>CHKD<br>APPD | SIZE<br>A3                               | DWG NO.<br>C-HVG1P492MCXXX2DXL0000 | REV<br>2 |
|   |   | CODE: 58982                        | SCALE: 3:2                               | SHEET 1 OF 1                       |          |