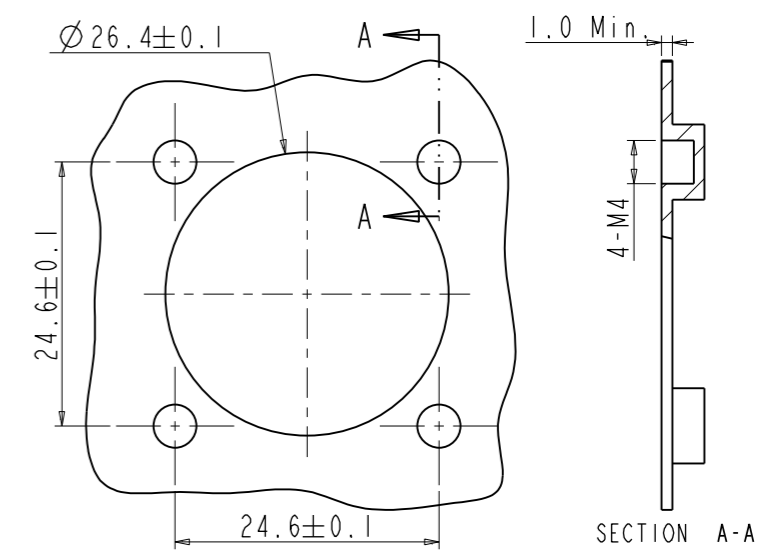
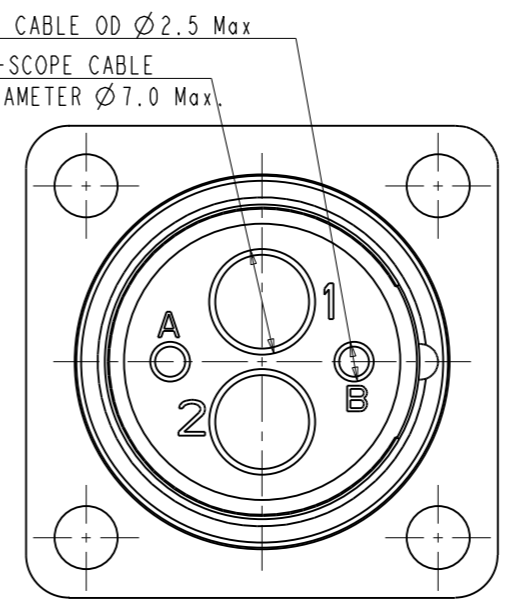
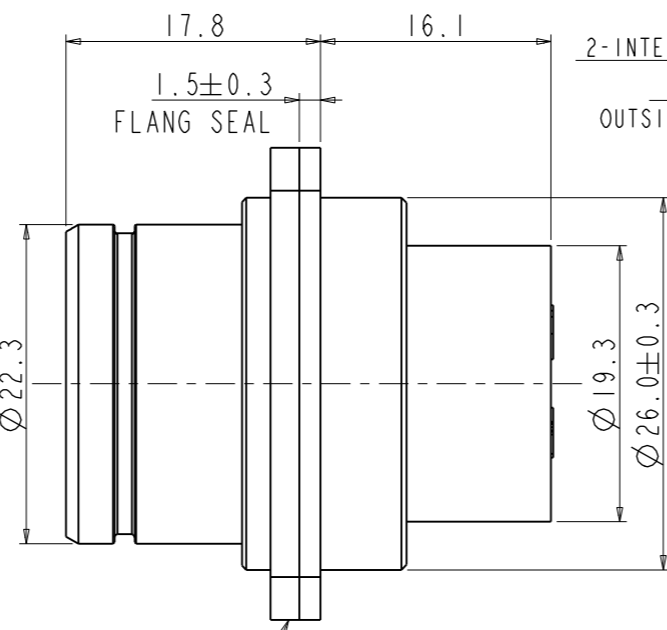
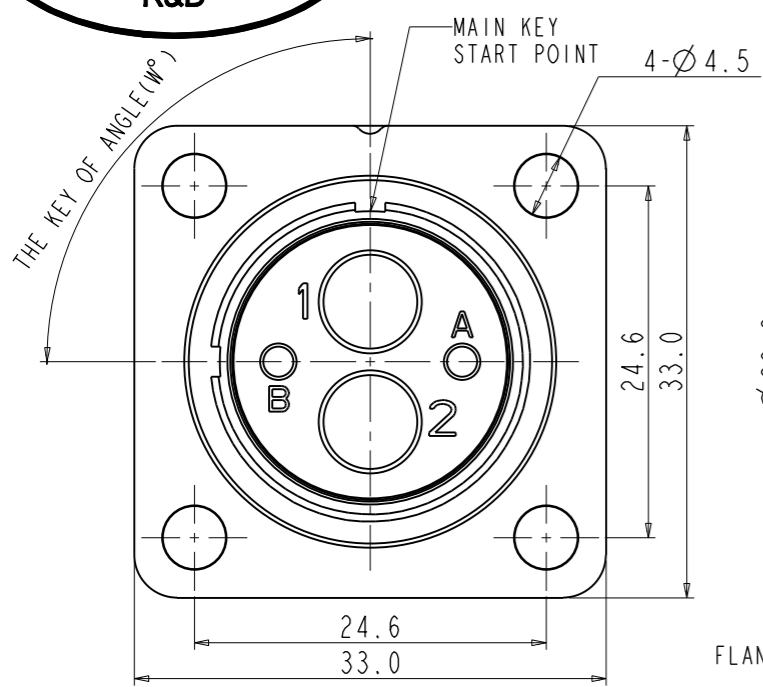


REV	ECN	DESCRIPTION	DATE	MODIFIED
1		UPDATE DRAWING	2018.01.31	

Amphenol PCDSZ
ORIGINAL
PDF Format
R&D



SUGGESTION MOUNTING INTERFACE SPECIFICATION (MOUNTING INTERFACE SHOWN)

A,B HOLES FOR Ø1.0 INTERLOCK PIN
1-2 HOLES FOR Ø3.6 POWER PIN

- NOTES:
1. FINISHED PRODUCT DOES HAVE NOT THE PIN, NEED TO BUY SEPARATE.
 2. THE POWER PIN P/N FOR 6MM² CABLE: HVG30M6, USE LEVEL: 2PCS
THE POWER PIN P/N FOR 10MM² CABLE: HVG30M10, USE LEVEL: 2PCS
 3. THE INTERLOCK PIN P/N: HVG20M1, USE LEVEL: 2PCS
 4. SCREW M4(DIMENTION REFER GB/T 70.1-2000)
REVAILING TORQUES: 0.5 N*M
 5. TECHNICAL DATA TABLE

CURRENT RATE (6mm ² CABLE)	40A @ AMBIENT 70° C	✦
CURRENT RATE (10mm ² CABLE)	50A @ AMBIENT 70° C	✦
UL RATING VOLTAGE (OVERVOLTAGE CATEGORY II POLLUTION DEGREE 2)	800V DC	✦
OPERATING TEMPERATURE	-40~125° C	
DIELECTRIC WITH STANDING VOLTAGE	3000V AC	✦
INSULATION RESISTANCE	2000MΩ MIN. 25° C, NO CABLE	✦
DURABILITY	500 CYCLES	⊙
SHIELDING	YES	⊙
WATERPRROF (MATED CONDITION)	IP 67	✦
AMBIENT TEMPERATURE	-40~70° C	
TECHNICAL DESCRIPTION	TECHNICAL DATA	FEATURE

6. SCOPE OF INNER SINGLE CABLE OUTSIDE DIAMETER :
2.5 & 4.0 mm² OD 7.0 Max.
INTERLOCK CABLE OD 2.5 Max.(0.5~0.75mm² CABLE)

7. PART NUMBER DESCRIPTION:

HVG1S492MC XXX
KEY OF CODING OPTION
BK: NO KEY & BLACK(w°=0°)
XBK: KEY X & BLACK(w°=270°)
YBK: KEY Y & BLACK(w°=315°)
ZBK: KEY Z & BLACK(w°=90°)
WBK: KEY W & BLACK(w°=45°)
XRD: KEY X & RED(w°=270°)
YY : KEY Y & YELLOW(w°=315°)
ZBL: KEY Z & BLUE(w°=90°)
WGR: KEY W & GREEN(w°=45°)
NO CODE: NO KEY & PLATING COLOR(w°=0°)
X : KEY X & PLATING COLOR(w°=270°)
Y : KEY Y & PLATING COLOR(w°=315°)
Z : KEY Z & PLATING COLOR(w°=90°)
W : KEY W & PLATING COLOR(w°=45°)

ANGLE CODE	ANGLE OF KEY(W°)	COLOR CODE	COLOR OF LOCKING RING	P/N(FOR EXAMPLE)
NO CODE	0°			HVG1S492MC BK
X	270°	BK	BLACK	HVG1S492MC X BK
Y	315°			HVG1S492MC Y BK
Z	90°			HVG1S492MC Z BK
W	45°			HVG1S492MC W BK
X	270°	RD	RED	HVG1S492MC X RD
Y	315°	Y	YELLOW	HVG1S492MC Y Y
Z	90°	BL	BLUE	HVG1S492MC Z BL
W	45°	GR	GREEN	HVG1S492MC W GR
NO CODE	0°	NO CODE	PLATING COLOR	HVG1S492MC
X	270°			HVG1S492MC X
Y	315°			HVG1S492MC Y
Z	90°			HVG1S492MC Z
W	45°			HVG1S492MC W

安费诺精密连接器(深圳)有限公司
Amphenol PCD Shenzhen
受控文件
2018年2月5日

DIMENSIONS	TOLERANCES	PROJECTION	TITLE		
ANSI Y14.5M UNITS: MM Pro/E FILE	X ±0.5 XX ±0.05 ANGLES ±0.5°		TRIPLEX RECEPTACLE ASSEMBLY WITH INTERLOCK		
ORIGINAL NOT FOR CUSTOMER DISTRIBUTION	THIS DOCUMENT CONTAINS PROPRIETARY INFORMATION WHICH IS THE CONFIDENTIAL PROPERTY OF AMPHENOL PCD SHENZHEN	ENGR 2018.01.31 CHKD APPD	SIZE A3	DWG NO. C-HVGIS492MCXXX	REV 1
		CODE: 58982	SCALE: 2:1	SHEET 1 OF 1	

C-HVGIS492MCXXX

C-HVGIS492MCXXX