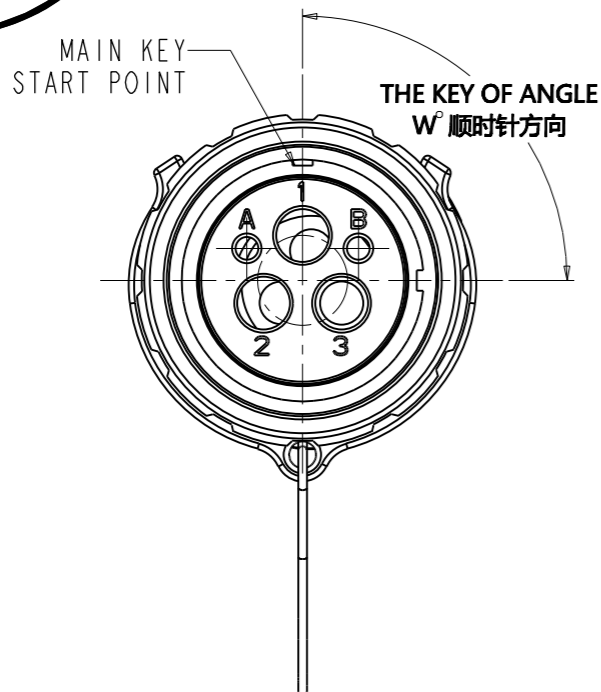
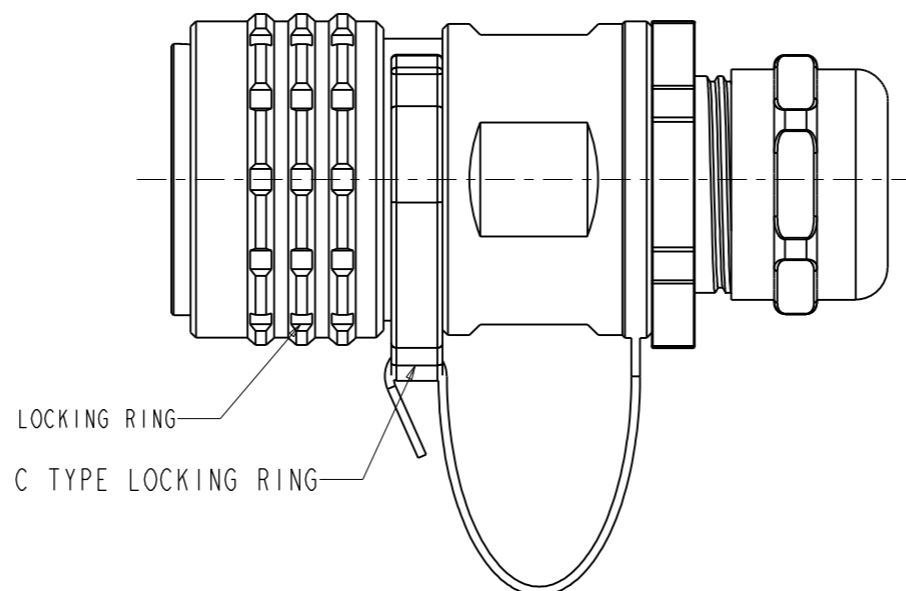


Amphenol PCDSZ
ORIGINAL
PDF Format
R&D

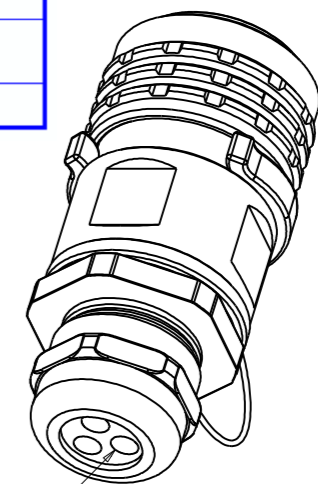
REV	ECN	DESCRIPTION	DATE	MODIFIED
1		UPDATE P/N DESCRIPTION	2018-01-19	
2		SEE THE MARKING (2)	2018.01.31	



A, B HOLES FOR $\phi 1.0$ INTERLOCK PIN
1, 2, 3 HOLES FOR $\phi 3.0$ POWER PIN



安费诺精密连接器(深圳)有限公司
Amphenol PCD Shenzhen
受控文件
2018年2月5日



SCOPE OF CABLE OD $\phi 3.0 \sim \phi 4.5$

C-HVG1P403MCXXX3DXL0000

C-HVG1P403MCXXX3DXL0000

- NOTES:**
1. FINISHED PRODUCT DOES HAVE NOT THE PIN, NEED TO BUY SEPARATE.
 2. THE POWER PIN P/N FOR 4MM² CABLE: HVG30M4, USE LEVEL: 3PCS
THE POWER PIN P/N FOR 2.5MM² CABLE: HVG30M2, USE LEVEL: 3PCS
 3. THE INTERLOCK PIN P/N: HVG20M1, USE LEVEL: 2PCS
 4. WIHT C TYPE LOCK RING AND DUST CAP.
 5. TORQUE: 5~8N*M
 6. THE SCOPE OF CABLE OD= $\phi 3.0 \sim \phi 4.5$
 7. TECHNICAL DATA TABLE

CURRENT RATE (4mm ² CABLE)	32A @ AMBIENT 70° C	+
CURRENT RATE (2.5mm ² CABLE)	23A @ AMBIENT 70° C	+
UL RATING VOLTAGE (OVERVOLTAGE CATEGORY II POLLUTION DEGREE 2)	800V DC	+
OPERATING TEMPERATURE	-40~125° C	
DIELECTRIC WITH STANDING VOLTAGE	3000V AC	+
INSULATION RESISTANCE	2000M Ω MIN. 25° C, NO CABLE	+
DURABILITY	500 CYCLES	○
SHIELDING	YES	○
WATERPROOF (MATED CONDITION)	IP 67	+
AMBIENT TEMPERATURE	-40~70° C	
TECHNICAL DESCRIPTION	TECHNICAL DATA	FEATURE

8. PART NUMBER DESCRIPTION:
HVG1P403MC XXX 3D X L0000

- (2) KEY OF CODING OPTION
- | | |
|--------------------------------|--|
| NO CODE: NO KEY & BLACK(w°=0°) | CABLE SIZE OPTION |
| X : KEY X & BLACK(w°=270°) | 2: 2.5mm ² CABLE USE HVG30M2, USE LEVEL: 3PCS |
| Y : KEY Y & BLACK(w°=315°) | 4: 4.0mm ² CABLE USE HVG30M4, USE LEVEL: 3PCS |
| Z : KEY Z & BLACK(w°=90°) | |
| W : KEY W & BLACK(w°=45°) | |
| XRD: KEY X & RED(w°=270°) | |
| YYL: KEY Y & YELLOW(w°=315°) | |
| ZBL: KEY Z & BLUE(w°=90°) | |
| WGR: KEY W & GREEN(w°=45°) | |
| YRD: KEY Y & RED(w°=315°) | |

9. SCOPE OF INNER UNSHIELD CABLE OUTSIDE DIAMETER :
2.5 & 4.0 mm² OD 4.5 Max.
INTERLOCK CABLE OD 2.5 Max.(0.5~0.75mm² CABLE)

ANGLE CODE	ANGLE OF KEY(W°)	COLOR CODE	COLOR OF LOCKING RING	P/N(FOR EXAMPLE)
WITHOUT	0°	WITHOUT	BLACK	HVG1P403MC 3D X L0000
X	270°	RD	RED	HVG1P403MC XRD 3D X L0000
Y	315°	YL	YELLOW	HVG1P403MC YYL 3D X L0000
Z	90°	BL	BLUE	HVG1P403MC ZBL 3D X L0000
W	45°	GR	GREEN	HVG1P403MC WGR 3D X L0000
X	270°	WITHOUT	BLACK	HVG1P403MC X 3D X L0000
Y	315°			HVG1P403MC Y 3D X L0000
Z	90°			HVG1P403MC Z 3D X L0000
W	45°			HVG1P403MC W 3D X L0000
Y	315°			HVG1P403MC YRD 3D X L0000

DIMENSIONS	TOLERANCES	PROJECTION	TITLE		
ANSI Y14.5M UNITS: MM Pro/E FILE	.X ±0.5 .XX ±0.05 ANGLES ±0.5°		THREE CORE PLUG ASSEMBLY WITH INTERLOCK		
ORIGINAL NOT FOR CUSTOMER DISTRIBUTION	THIS DOCUMENT CONTAINS PROPRIETARY INFORMATION WHICH IS THE CONFIDENTIAL PROPERTY OF AMPHENOL PCD SHENZHEN	ENGR 2018-01-31 CHKD APPD			
		CODE: 58982		SCALE: 2:1	SHEET 1 OF 1