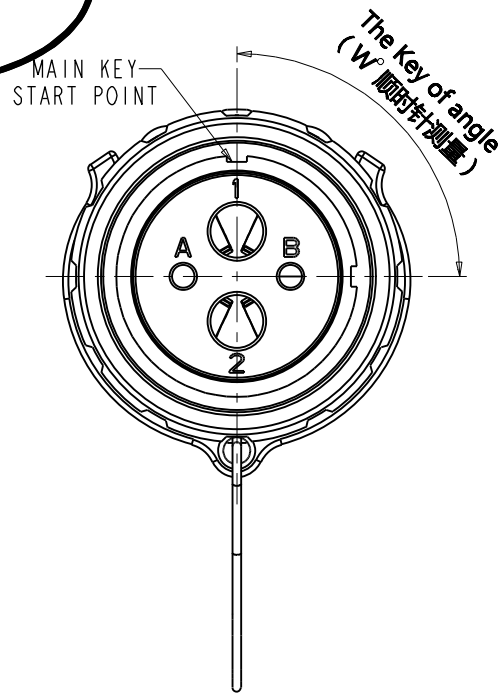
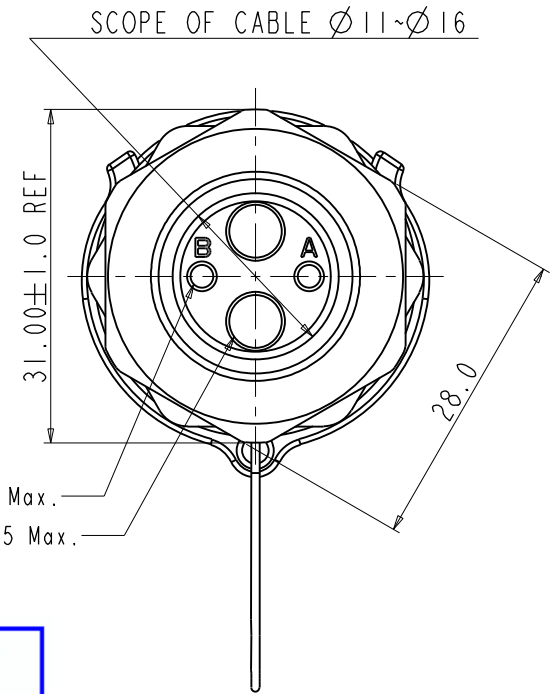
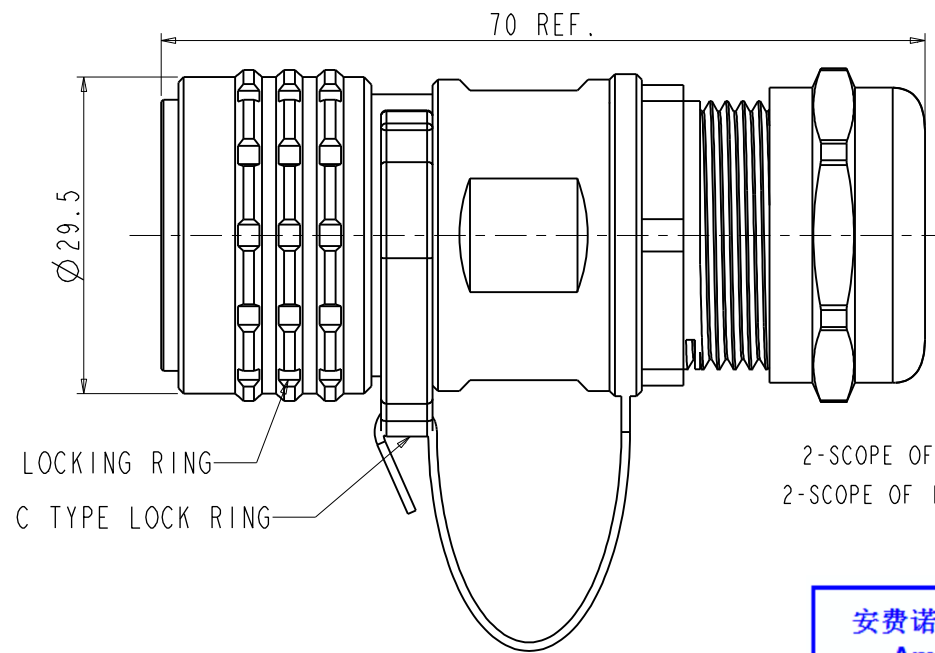


REV	ECN	DESCRIPTION	DATE	MODIFIED
1		RATING VOLTAGE CHANGED	2018.01.19	
2		SEE THE MARKING ②	2018.01.31	

Amphenol PCDSZ
ORIGINAL
PDF Format
R&D



A, B HOLES FOR $\varnothing 1.0$ INTERLOCK PIN
1-2 HOLES FOR $\varnothing 3.0$ POWER PIN



2-SCOPE OF INTERLOCK CABLE OD $\varnothing 2.5$ Max.
2-SCOPE OF INNER SINGLE CABLE OD $\varnothing 4.5$ Max.

安费诺精密连接器(深圳)有限公司
Amphenol PCD Shenzhen
受控文件
2018年2月5日

C-HVGIP402MCXX

- NOTES:
1. FINISHED PRODUCT DOES HAVE NOT THE PIN, NEED TO BUY SEPARATE.
 2. THE POWER PIN P/N FOR 4MM² CABLE: HVG30M4, USE LEVEL: 2PCS
THE POWER PIN P/N FOR 2.5MM² CABLE: HVG30M2, USE LEVEL: 2PCS
 3. THE INTERLOCK PIN P/N: HVG20M1, USE LEVEL: 2PCS
 4. WIHT C TYPE LOCK RING AND DUST CAP.
 5. TORQUE: 5~8N*M
 6. THE SCOPE OF CABLE OD= $\varnothing 11\sim\varnothing 16$
 7. TECHNICAL DATA TABLE

CURRENT RATE (4mm ² CABLE)	32A @ AMBIENT 70° C	+
CURRENT RATE (2.5mm ² CABLE)	23A @ AMBIENT 70° C	+
UL RATING VOLTAGE (OVERVOLTAGE CATEGORY II POLLUTION DEGREE 2)	800V DC	+
OPERATING TEMPERATURE	-40~125° C	
DIELECTRIC WITH STANDING VOLTAGE	3000V AC	+
INSULATION RESISTANCE	2000M Ω MIN. 25° C, NO CABLE	+
DURABILITY	500 CYCLES	○
SHIELDING	YES	○
WATERPRROF (MATED CONDITION)	IP 67	+
AMBIENT TEMPERATURE	-40~70° C	
TECHNICAL DESCRIPTION	TECHNICAL DATA	FEATURE

8. PART NUMBER DESCRIPTION:

HVG1P402MC XX

② KEY OF CODING OPTION

- XR: KEY X & RED($w^\circ = 270^\circ$)
- YY: KEY Y & YELLOW($w^\circ = 315^\circ$)
- ZB: KEY Z & BLUE($w^\circ = 90^\circ$)
- WG: KEY W & GREEN($w^\circ = 45^\circ$)
- NO CODE: NO KEY & BLACK($w^\circ = 0^\circ$)
- X : KEY X & BLACK($w^\circ = 270^\circ$)
- Y : KEY Y & BLACK($w^\circ = 315^\circ$)
- Z : KEY Z & BLACK($w^\circ = 90^\circ$)
- W : KEY W & BLACK($w^\circ = 45^\circ$)
- XB: KEY X & BLUE($w^\circ = 270^\circ$)
- YB: KEY Y & BLUE($w^\circ = 315^\circ$)
- ZR: KEY Z & RED($w^\circ = 90^\circ$)

ANGLE CODE	ANGLE OF KEY(w°)	COLOR CODE	COLOR OF LOCKING RING	P/N(FOR EXAMPLE)
NO CODE	0°	NO CODE	BLACK	HVG1P402MC
X	270°	R	RED	HVG1P402MC X R
Y	315°	Y	YELLOW	HVG1P402MC Y Y
Z	90°	B	BLUE	HVG1P402MC Z B
W	45°	G	GREEN	HVG1P402MC W G
X	270°	NO CODE	BLACK	HVG1P402MC X
Y	315°			HVG1P402MC Y
Z	90°			HVG1P402MC Z
W	45°			HVG1P402MC W
X	270°	B	BLUE	HVG1P402MC X B
Y	315°			HVG1P402MC Y B
Z	90°	R	RED	HVG1P402MC Z R

9. SCOPE OF INNER SINGLE CABLE OUTSIDE DIAMETER :
2.5 & 4.0 mm² OD 4.5 Max.
INTERLOCK CABLE OD 2.5 Max.(0.5~0.75mm² CABLE)

DIMENSIONS	TOLERANCES	PROJECTION	TITLE		
ANSI Y14.5M UNITS: MM Pro/E FILE	.X ± 0.5 .XX ± 0.05 ANGLES $\pm 0.5^\circ$		TWO CORE PLUG ASSEMBLY WITH INTERLOCK		
			ENGR 2018.01.31		
			CHKD		
			APPD		
ORIGINAL NOT FOR CUSTOMER DISTRIBUTION	THIS DOCUMENT CONTAINS PROPRIETARY INFORMATION WHICH IS THE CONFIDENTIAL PROPERTY OF AMPHENOL PCD SHENZHEN		SIZE A3	DWG NO. C-HVGIP402MCXX	REV 2
			CODE: 58982	SCALE: 3:2	SHEET 1 OF 1

C-HVGIP402MCXX