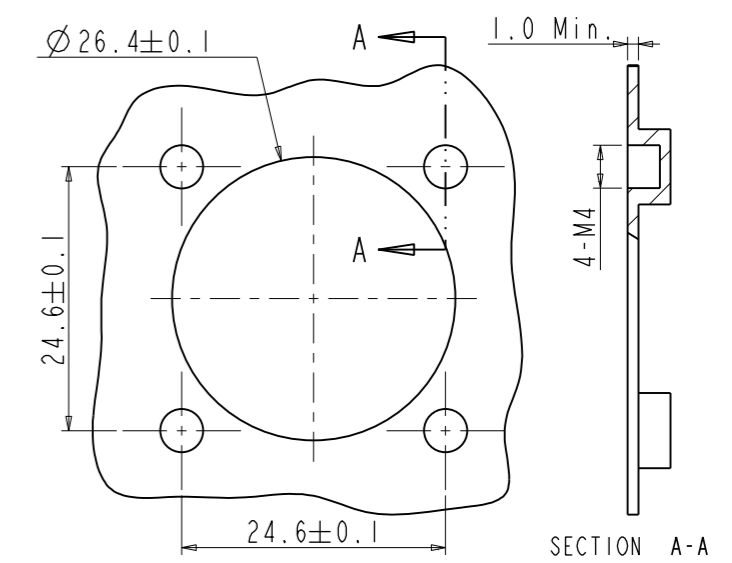
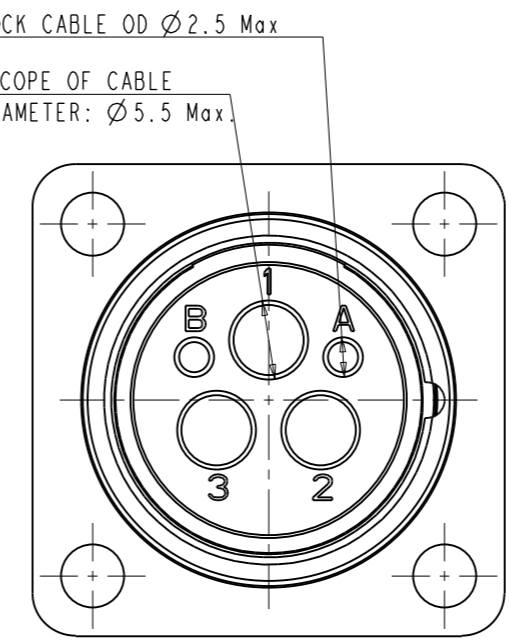
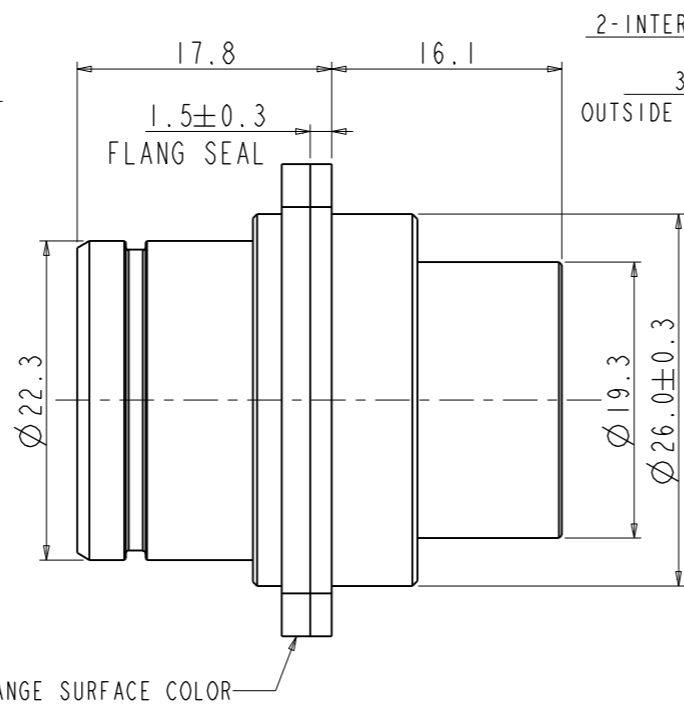
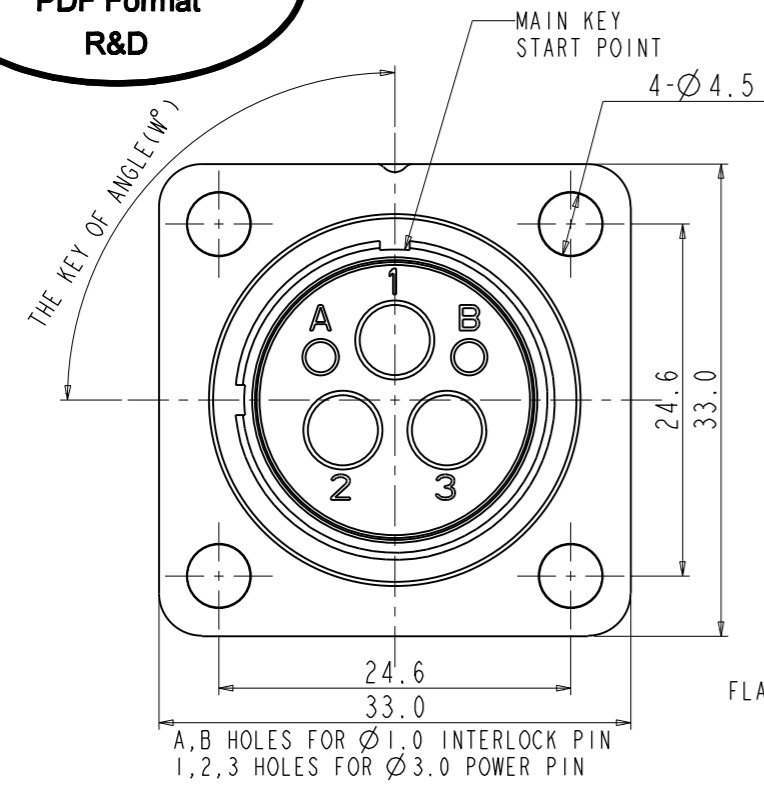


REV	ECN	DESCRIPTION	DATE	MODIFIED
1		UPDATE DRAWING	2018.01.31	

Amphenol PCDSZ  
ORIGINAL  
PDF Format  
R&D



- NOTES:**
1. FINISHED PRODUCT DOES HAVE NOT THE PIN, NEED TO BUY SEPARATE.
  2. THE POWER PIN P/N FOR 4MM<sup>2</sup> CABLE: HVG30M4, USE LEVEL: 3PCS  
THE POWER PIN P/N FOR 2.5MM<sup>2</sup> CABLE: HVG30M2, USE LEVEL: 3PCS
  3. THE INTERLOCK PIN P/N: HVG20M1, USE LEVEL: 2PCS
  4. SCREW M4(DIMENTION REFER GB/T 70.1-2000)  
REVALING TORQUES: 0.5 N\*M
  5. TECHNICAL DATA TABLE

CURRENT RATE (4mm <sup>2</sup> CABLE)	32A @ AMBIENT 70° C	+
CURRENT RATE (2.5mm <sup>2</sup> CABLE)	23A @ AMBIENT 70° C	+
UL RATING VOLTAGE (OVERVOLTAGE CATEGORY II POLLUTION DEGREE 2)	800V DC	+
OPERATING TEMPERATURE	-40~125° C	
DIELECTRIC WITH STANDING VOLTAGE	3000V AC	+
INSULATION RESISTANCE	2000M $\Omega$ MIN. 25° C, NO CABLE	+
DURABILITY	500 CYCLES	○
SHIELDING	YES	○
WATERPROOF (MATED CONDITION)	IP 67	+
AMBIENT TEMPERATURE	-40~70° C	
TECHNICAL DESCRIPTION	TECHNICAL DATA	FEATURE

**7. PART NUMBER DESCRIPTION:**  
HVG1S403MC XXX

- KEY OF CODING OPTION**
- BK: NO KEY & BLACK(w° = 0°)
  - XBK: KEY X & BLACK(w° = 270°)
  - YBK: KEY Y & BLACK(w° = 315°)
  - ZBK: KEY Z & BLACK(w° = 90°)
  - WBK: KEY W & BLACK(w° = 45°)
  - XRK: KEY X & RED(w° = 270°)
  - YY : KEY Y & YELLOW(w° = 315°)
  - ZBL: KEY Z & BLUE(w° = 90°)
  - WGR: KEY W & GREEN(w° = 45°)
  - NO CODE: NO KEY & PLATING COLOR(w° = 0°)
  - X : KEY X & PLATING COLOR(w° = 270°)
  - Y : KEY Y & PLATING COLOR(w° = 315°)
  - Z : KEY Z & PLATING COLOR(w° = 90°)
  - W : KEY W & PLATING COLOR(w° = 45°)

ANGLE CODE	ANGLE OF KEY(w°)	COLOR CODE	COLOR OF LOCKING RING	P/N(FOR EXAMPLE)
NO CODE	0°	BK	BLACK	HVG1S403MC BK
X	270°			HVG1S403MC X BK
Y	315°			HVG1S403MC Y BK
Z	90°			HVG1S403MC Z BK
W	45°			HVG1S403MC W BK
X	270°	RD	RED	HVG1S403MC X RD
Y	315°	Y	YELLOW	HVG1S403MC Y Y
Z	90°	BL	BLUE	HVG1S403MC Z BL
W	45°	GR	GREEN	HVG1S403MC W GR
NO CODE	0°	NO CODE	PLATING COLOR	HVG1S403MC
X	270°			HVG1S403MC X
Y	315°			HVG1S403MC Y
Z	90°			HVG1S403MC Z
W	45°			HVG1S403MC W

- 6. SCOPE OF INNER SINGLE CABLE OUTSIDE DIAMETER :**  
2.5 & 4.0 mm<sup>2</sup> OD 5.5 Max.  
INTERLOCK CABLE OD 2.5 Max.(0.5~0.75mm<sup>2</sup> CABLE)

DIMENSIONS	TOLERANCES	PROJECTION	TITLE		
ANSI Y14.5M UNITS: MM Pro/E FILE	.X ±0.5 .XX ±0.05 ANGLES ±0.5°		THREE CORE RECEPTACLE ASSEMBLY WITH INTERLOCK		
ORIGINAL NOT FOR CUSTOMER DISTRIBUTION	THIS DOCUMENT CONTAINS PROPRIETARY INFORMATION WHICH IS THE CONFIDENTIAL PROPERTY OF AMPHENOL PCD SHENZHEN	ENGR 2018.01.31 CHKD APPD	SIZE A3	DWG NO. C-HVGIS403MCXXX	REV 1
		CODE: 58982	SCALE: 2:1	SHEET 1 OF 1	

安费诺精密连接器(深圳)有限公司  
Amphenol PCD Shenzhen  
受控文件  
2018年2月5日

C-HVGIS403MCXXX

C-HVGIS403MCXXX