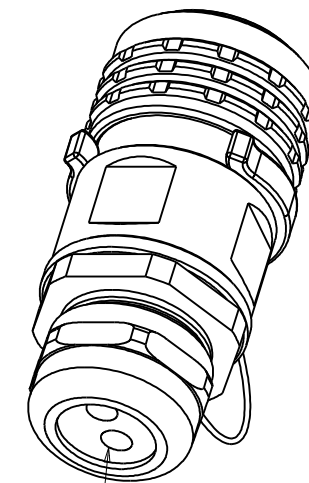
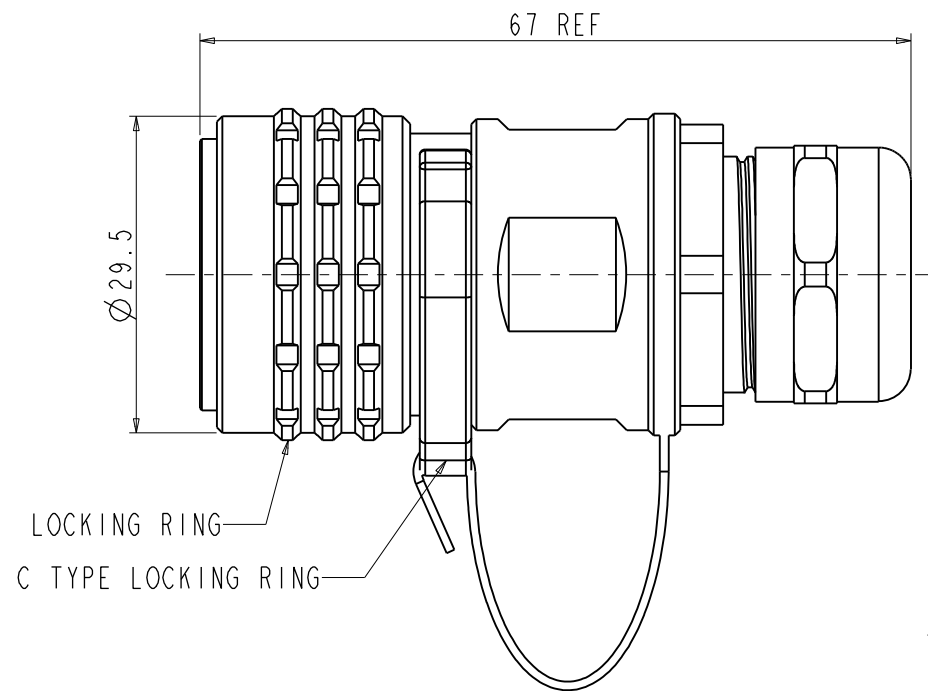
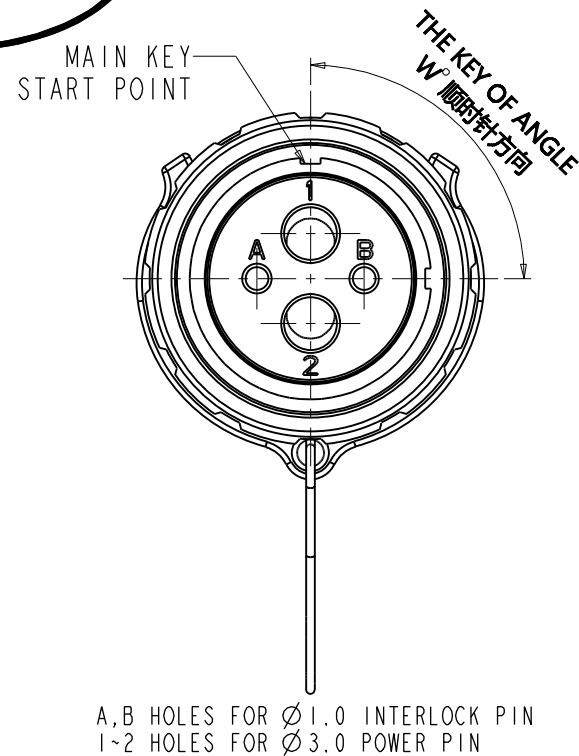


Amphenol PCDSZ
ORIGINAL
PDF Format
R&D



SCOPE OF CABLE OD $\phi 3.0 \sim \phi 4.5$

8. PART NUMBER DESCRIPTION:

HVG1P402MC XXX 2D X L0000

② KEY OF CODING OPTION

NO CODE: NO KEY & BLACK($w^\circ = 0^\circ$)
X : KEY X & BLACK($w^\circ = 270^\circ$)
Y : KEY Y & BLACK($w^\circ = 315^\circ$)
Z : KEY Z & BLACK($w^\circ = 90^\circ$)
W : KEY W & BLACK($w^\circ = 45^\circ$)
XRD: KEY X & RED($w^\circ = 270^\circ$)
YYL: KEY Y & YELLOW($w^\circ = 315^\circ$)
ZBL: KEY Z & BLUE($w^\circ = 90^\circ$)
WGR: KEY W & GREEN($w^\circ = 45^\circ$)
XBL: KEY X & BLUE($w^\circ = 270^\circ$)
YBL: KEY Y & BLUE($w^\circ = 315^\circ$)
ZRD: KEY Z & RED($w^\circ = 90^\circ$)

CABLE SIZE OPTION

2: 2.5mm² CABLE USE HVG30M2,
USE LEVEL: 2PCS
4: 4.0mm² CABLE USE HVG30M4,
USE LEVEL: 2PCS

ANGLE CODE	ANGLE OF KEY(W ^o)	COLOR CODE	COLOR OF LOCKING RING	P/N(FOR EXAMPLE)
NO CODE	0 ^o	NO CODE	BLACK	HVG1P402MC 2D X L0000
X	270 ^o	RD	RED	HVG1P402MC XRD 2D X L0000
Y	315 ^o	YL	YELLOW	HVG1P402MC YYL 2D X L0000
Z	90 ^o	BL	BLUE	HVG1P402MC ZBL 2D X L0000
W	45 ^o	GR	GREEN	HVG1P402MC WGR 2D X L0000
X	270 ^o	NO CODE	BLACK	HVG1P402MC X 2D X L0000
Y	315 ^o			HVG1P402MC Y 2D X L0000
Z	90 ^o			HVG1P402MC Z 2D X L0000
W	45 ^o			HVG1P402MC W 2D X L0000
X	270 ^o	BL	BLUE	HVG1P402MC XBL 2D X L0000
Y	315 ^o			HVG1P402MC YBL 2D X L0000
Z	90 ^o	RD	RED	HVG1P402MC ZRD 2D X L0000

9. SCOPE OF INNER UNSHIELD CABLE OUTSIDE DIAMETER :

2.5 & 4.0 mm² OD 4.5 Max.
INTERLOCK CABLE OD 2.5 Max.(0.5~0.75mm² CABLE)

NOTES:

1. FINISHED PRODUCT DOES HAVE NOT THE PIN, NEED TO BUY SEPARATE.
2. THE POWER PIN P/N FOR 4MM² CABLE: HVG30M4, USE LEVEL: 2PCS
THE POWER PIN P/N FOR 2.5MM² CABLE: HVG30M2, USE LEVEL: 2PCS
3. THE INTERLOCK PIN P/N: HVG20M1, USE LEVEL: 2PCS
4. WIHT C TYPE LOCK RING AND DUST CAP.
5. TORQUE: 5~8N*M
6. THE SCOPE OF CABLE OD= $\phi 3.0 \sim \phi 4.5$

7. TECHNICAL DATA TABLE

CURRENT RATE (4mm ² CABLE)	32A @ AMBIENT 70 ^o C	+
CURRENT RATE (2.5mm ² CABLE)	23A @ AMBIENT 70 ^o C	+
UL RATING VOLTAGE (OVERVOLTAGE CATEGORY II POLLUTION DEGREE 2)	800V DC	+
OPERATING TEMPERATURE	-40~125 ^o C	
DIELECTRIC WITH STANDING VOLTAGE	3000V AC	+
INSULATION RESISTANCE	2000M Ω MIN. 25 ^o C, NO CABLE	+
DURABILITY	500 CYCLES	○
SHIELDING	YES	○
WATERPROOF (MATED CONDITION)	IP 67	+
AMBIENT TEMPERATURE	-40~70 ^o C	
TECHNICAL DESCRIPTION	TECHNICAL DATA	FEATURE

DIMENSIONS	TOLERANCES	PROJECTION	TITLE		
ANSI Y14.5M UNITS: MM Pro/E FILE	.X ± 0.5 .XX ± 0.05 ANGLES $\pm 0.5^\circ$		TWO CORE PLUG ASSEMBLY WITH INTERLOCK		
ORIGINAL NOT FOR CUSTOMER DISTRIBUTION	THIS DOCUMENT CONTAINS PROPRIETARY INFORMATION WHICH IS THE CONFIDENTIAL PROPERTY OF AMPHENOL PCD SHENZHEN				
			CHKD	SIZE	PART NO.
			APPD	A3	C-HVG1P402MCXXX2DXL0000
				REV	2
				CODE: 58982	SCALE: 2:1
				SHEET 1	OF 1