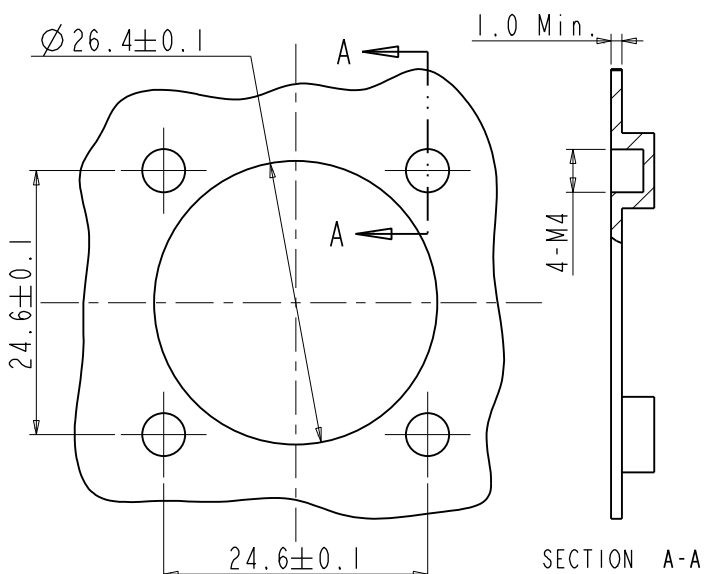
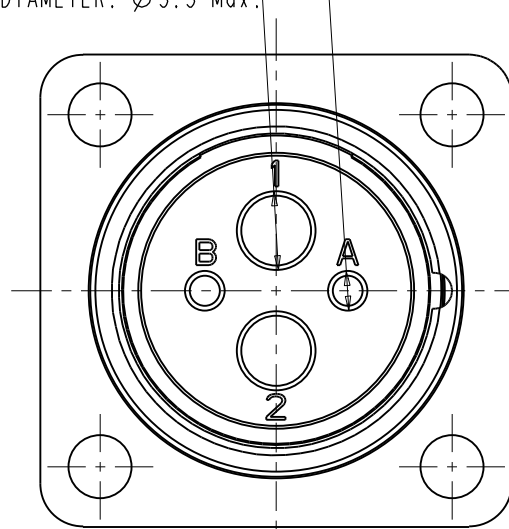
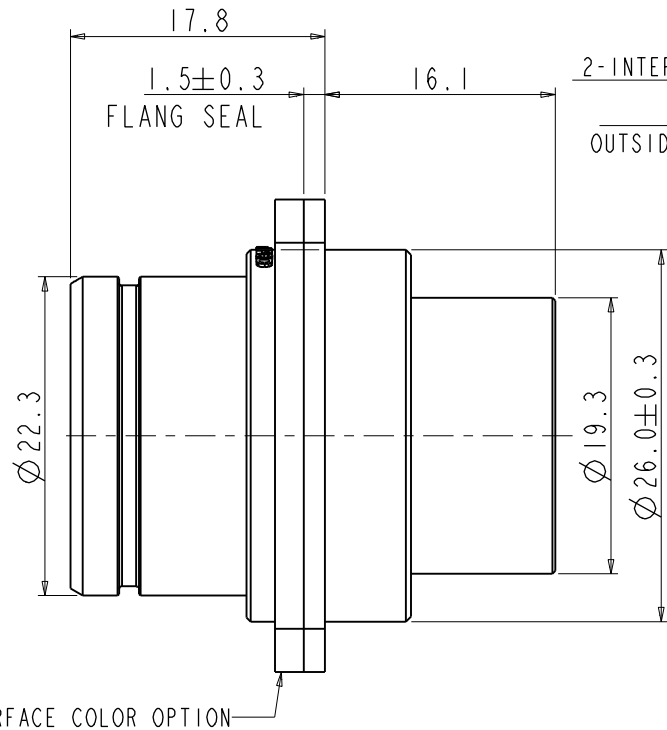
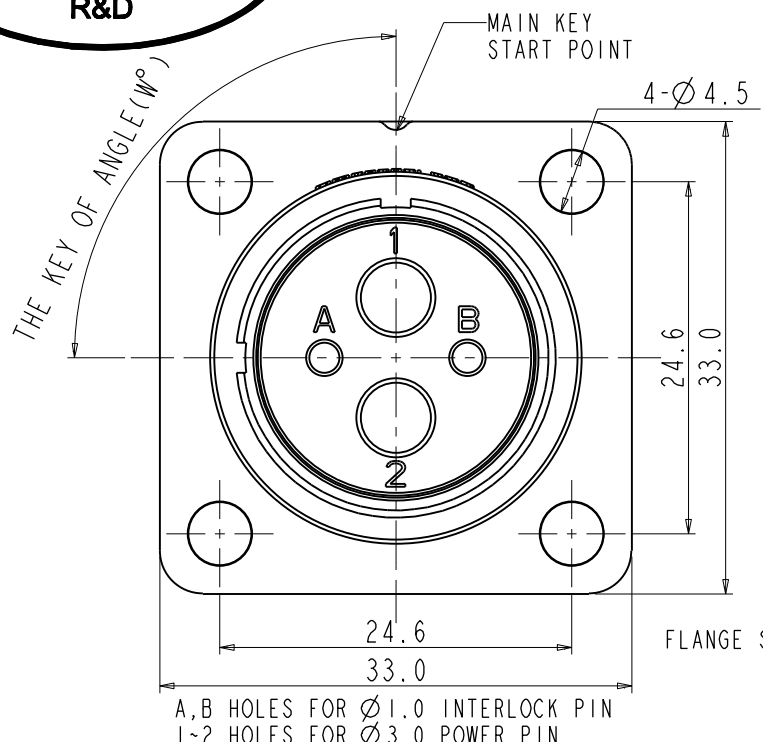


REV	ECN	DESCRIPTION	DATE	MODIFIED
1		UPDATE DRAWING	2018.01.31	

Amphenol PCD SZ
ORIGINAL
PDF Format
R&D



C-HVGIS402MCXXX

- NOTES:**
1. FINISHED PRODUCT DOES HAVE NOT THE PIN, NEED TO BUY SEPARATE.
 2. THE POWER PIN P/N FOR 4MM² CABLE: HVG30M4, USE LEVEL: 2PCS
THE POWER PIN P/N FOR 2.5MM² CABLE: HVG30M2, USE LEVEL: 2PCS
 3. THE INTERLOCK PIN P/N: HVG20M1, USE LEVEL: 2PCS
 4. SCREW M4(DIMENTION REFER GB/T 70.1-2000)
REVALING TORQUES: 0.5 N*M

5. TECHNICAL DATA TABLE

CURRENT RATE (4mm ² CABLE)	32A @ AMBIENT 70° C	+
CURRENT RATE (2.5mm ² CABLE)	23A @ AMBIENT 70° C	+
UL RATING VOLTAGE (OVERVOLTAGE CATEGORY II POLLUTION DEGREE 2)	800V DC	+
OPERATING TEMPERATURE	-40~125° C	
DIELECTRIC WITH STANDING VOLTAGE	3000V AC	+
INSULATION RESISTANCE	2000MΩ MIN. 25° C, NO CABLE	+
DURABILITY	500 CYCLES	○
SHIELDING	YES	○
WATERPROOF (MATED CONDITION)	IP 67	+
AMBIENT TEMPERATURE	-40~70° C	
TECHNICAL DESCRIPTION	TECHNICAL DATA	FEATURE

6. SCOPE OF INNER SINGLE CABLE OUTSIDE DIAMETER :
2.5 & 4.0 mm² OD 5.5 Max.
INTERLOCK CABLE OD 2.5 Max.(0.5~0.75mm² CABLE)

7. PART NUMBER DESCRIPTION:
HVG1S402MC XXX

- KEY OF CODING OPTION
- BK: NO KEY & BLACK(w° =0°)
 - XBK: KEY X & BLACK(w° =270°)
 - YBK: KEY Y & BLACK(w° =315°)
 - ZBK: KEY Z & BLACK(w° =90°)
 - WBK: KEY W & BLACK(w° =45°)
 - XRD: KEY X & RED(w° =270°)
 - YY : KEY Y & YELLOW(w° =315°)
 - ZBL: KEY Z & BLUE(w° =90°)
 - WGR: KEY W & GREEN(w° =45°)
 - NO CODE: NO KEY & PLATING COLOR(w° =0°)
 - X : KEY X & PLATING COLOR(w° =270°)
 - Y : KEY Y & PLATING COLOR(w° =315°)
 - Z : KEY Z & PLATING COLOR(w° =90°)
 - W : KEY W & PLATING COLOR(w° =45°)

ANGLE CODE	ANGLE OF KEY(W°)	COLOR CODE	COLOR OF LOCKING RING	P/N(FOR EXAMPLE)
NO CODE	0°			HVG1S402MC BK
X	270°	BK	BLACK	HVG1S402MC X BK
Y	315°			HVG1S402MC Y BK
Z	90°			HVG1S402MC Z BK
W	45°			HVG1S402MC W BK
X	270°	RD	RED	HVG1S402MC X RD
Y	315°	Y	YELLOW	HVG1S402MC Y Y
Z	90°	BL	BLUE	HVG1S402MC Z BL
W	45°	GR	GREEN	HVG1S402MC W GR
NO CODE	0°			HVG1S402MC
X	270°	NO CODE	PLATING COLOR	HVG1S402MC X
Y	315°			HVG1S402MC Y
Z	90°			HVG1S402MC Z
W	45°			HVG1S402MC W

DIMENSIONS ANSI Y14.5M UNITS: MM Pro/E FILE	TOLERANCES .X ±0.5 .XX ±0.05 ANGLES ±0.5°	PROJECTION 	ENGR 2018.01.31
ORIGINAL NOT FOR CUSTOMER DISTRIBUTION	THIS DOCUMENT CONTAINS PROPRIETARY INFORMATION WHICH IS THE CONFIDENTIAL PROPERTY OF AMPHENOL PCD SHENZHEN		CHKD APPD

TITLE TWO CORE RECEPTACLE ASSEMBLY WITH INTERLOCK			
SIZE A3	DWG NO. C-HVGIS402MCXXX	REV 1	
CODE: 58982	SCALE: 2:1	SHEET 1 OF 1	

安费诺精密连接器(深圳)有限公司
Amphenol PCD Shenzhen
受控文件
2018年2月5日

C-HVGIS402MCXXX