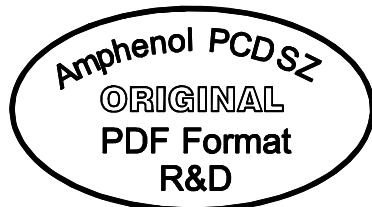
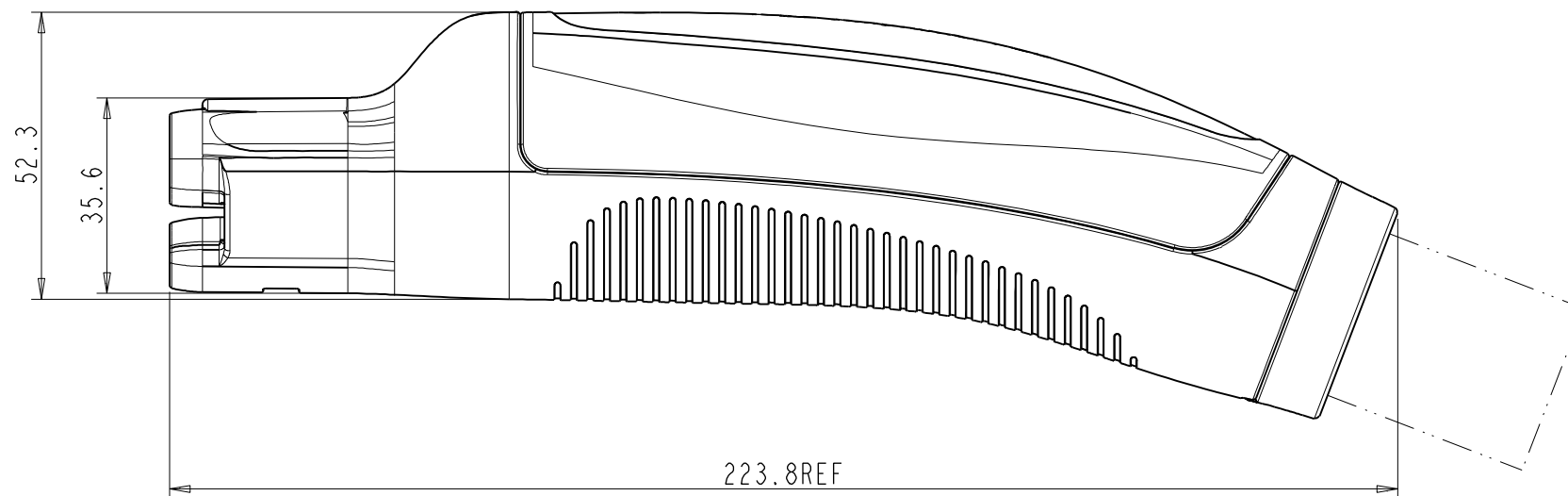
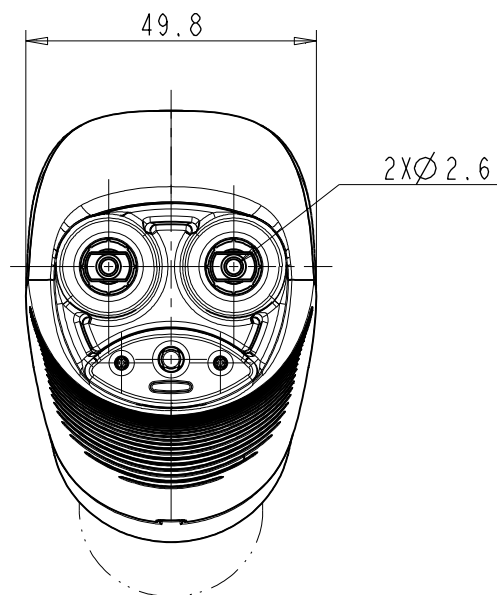
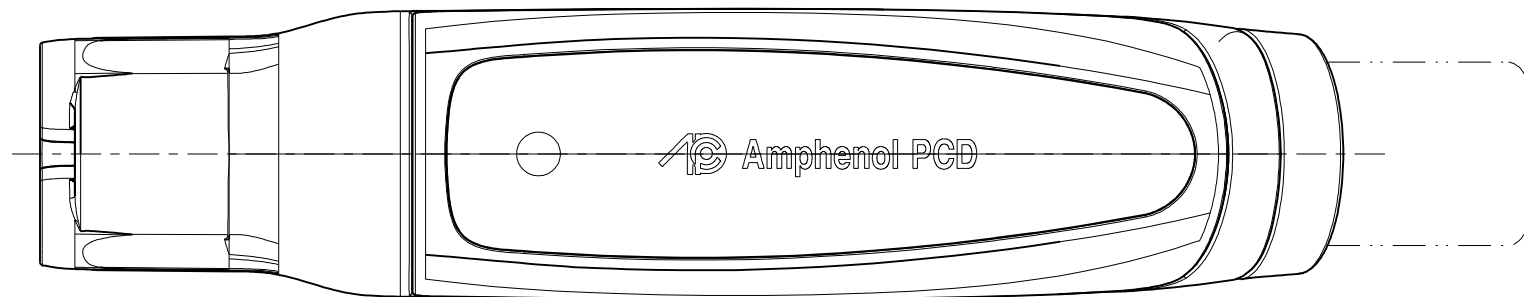
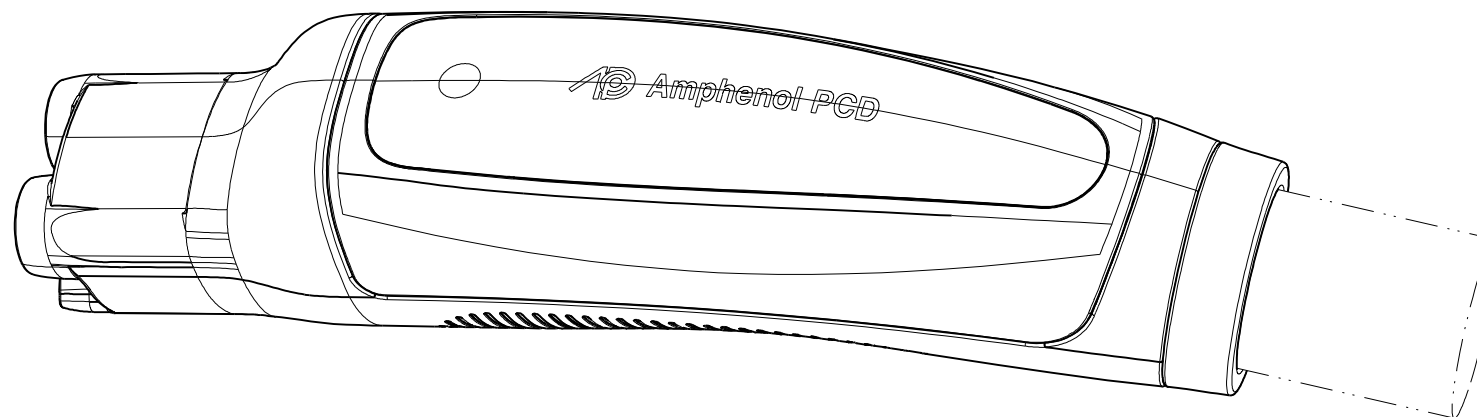


REV	ECN	DESCRIPTION	DATE	MODIFIED
1		PRE-RELEASE	Mar-29-24	



+ CRITICAL CHARACTERISTICS 关键特性  
◎ IMPORTANT CHARACTERISTICS 重要特性

TECHNICAL DATA		
CURRENT RATE 2AWG(LIQUID-COOLED)	600A	+
SIGNAL CURRENT RATE	2A	+
VOLTAGE RATE	POWER: 1000V DC	+
	SIGNAL: 30V	
STORAGE TEMPERATURE	-40-105°C	NA
DIELECTRIC WITHSTANDING VOLTAGE	3000V DC	+
INSULATION RESISTANCE	200MΩ	+
DURABILITY	20000 CYCLES	◎
IP PROTECTION	IP2XB	+
	TYPE 3S(MATED)	
AMBIENT TEMPERATURE	-30-50°C	NA
600A CABLE SIZE(JACKET DIAMETER)	∅ 30.5±1.0MM	◎



C.HVCON2MX600AXL0000X

C.HVCON2MX600AXL0000X

HVCON2MX600AXL0000X

Blank : WITHOUT UHF  
U: WITH UHF 315MHZ  
UI: WITH UHF 434MHZ

P: PT1000  
N: NTC

A: ACCORD WITH TS-0023666  
B: ACCORD WITH SAE J3400  
C: ACCORD WITH SAE J3400 NO BUTTON

DIMENSIONS	TOLERANCES	PROJECTION	TITLE				
ANSI Y14.5M UNITS: MM Pro/E FILE	.X ±0.5 .XX ±0.05 ANGLES ±2.0		Amphenol PCD Shenzhen				
			ENGR	Mar-29-24		NACS DC 600A FOR LIQUID COOLED	
ORIGINAL	THIS DOCUMENT CONTAINS PROPRIETARY INFORMATION WHICH IS THE CONFIDENTIAL PROPERTY OF Amphenol PCD Shenzhen Co. Ltd Amphenol PCD Shenzhen Co. Ltd RESERVES THE RIGHT TO CLARIFY THIS DRAWING	CHKD	SIZE	DWG NO.	REV		
		APPD	A3	C.HVCON2MX600AXL0000X	1	SCALE: 4:5	SHEET 1 OF 8

TABLE 1

ITEM 15	PN
HVCON2MA600AXL0000	P01BN02087
HVCON2MA600AXL0000U	P01BN02339
HVCON2MA600AXL0000U1	P01BN01617
HVCON2MB600AXL0000	P01BN02259
HVCON2MB600AXL0000U	P01BN02340
HVCON2MB600AXL0000U1	P01BN02260
HVCON2MC600AXL0000	P01BN02259

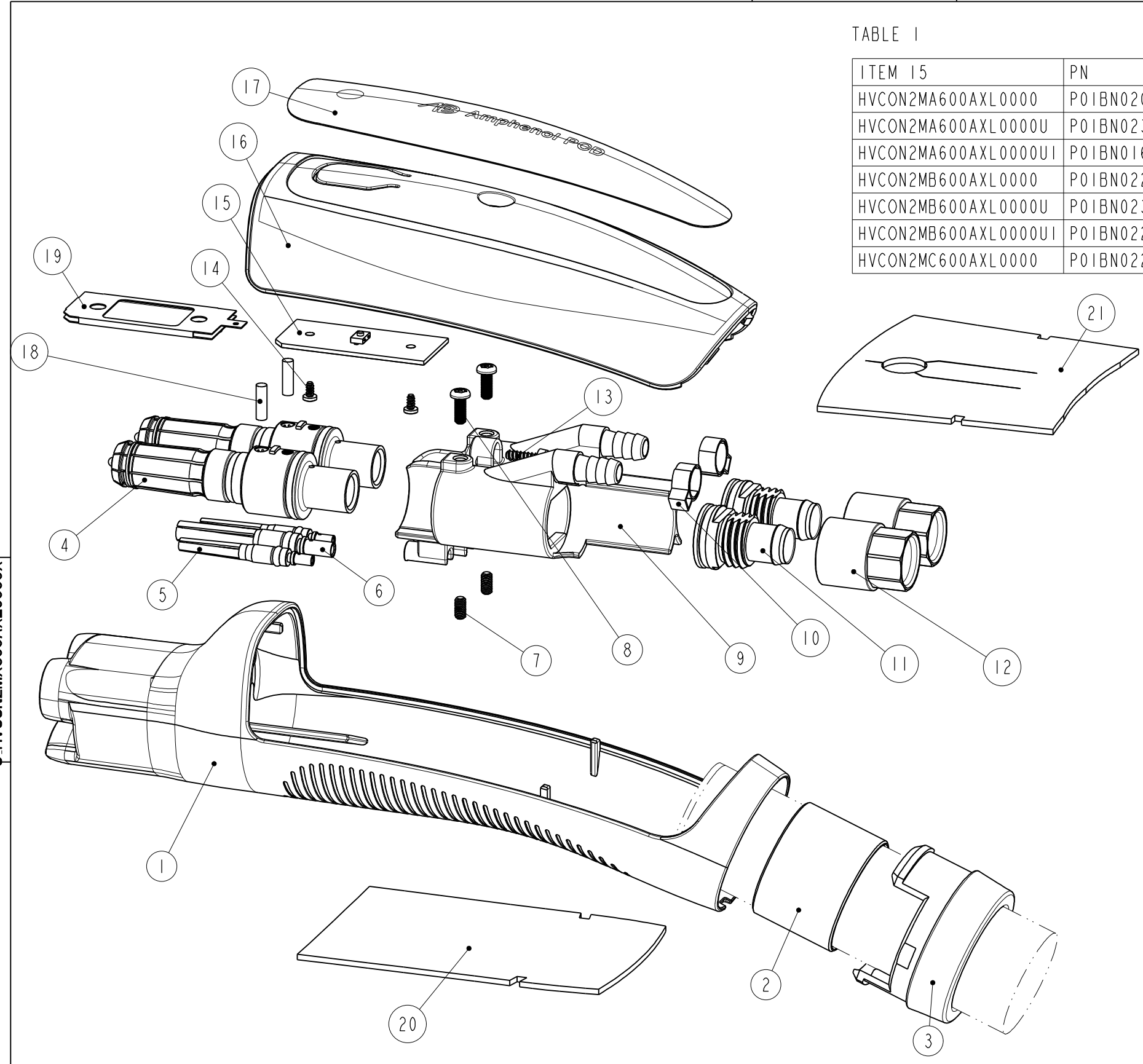
21	P01BN02379	INSULATION FELT FOR COVER	1	
20	P01BN02378	INSULATION FELT FOR BODY	1	
19	P01BR01027	PROTECTIVE SLEEVE	1	
18	SEE TABLE 3	SENSOR	2	
17	P01BP00949	PLASTIC PATCH	1	
16	SEE TABLE 2	COVER	1	
15	SEE TABLE 1	PCBA	1	
14	P01BN01616	PCBA SCREW	2	
13	C210006302	CONTACT BODY SCREW	1	
12	P01BM01832	LIQUID JOINT NUT	2	
11	P02B000586	LIQUID JOINT	2	
10	P01BN01331	LIQUID JOINT HOOP	2	
9	P01BP0094701	INTERIOR BODY	1	
8	P01BN01165	POWER CONTACT SCREW1	2	
7	P01BN01170	POWER CONTACT SCREW2	2	
6	P02B000585	PE CONTACT	1	
5	P02B000584	SIGNAL CONTACT	2	
4	P02B000580	POWER CONTACT	2	
3	P01BP0094601	END CAP	1	
2	P01BM0183301	STAINLESS TUBE	1	
1	P01BP00944	PLUG BODY	1	
Index	PN	Description	QTY	Note

TABLE 2

HVCON2MC600AXL0000	P01BP0094501
HVCON2MA600AXL0000X/ HVCON2MB600AXL0000X/	P01BP00945
ASSEMBLY P/N	ITEM 18 P/N

TABLE 3

ITEM 25	PN
HVCON2MX600ANL0000X	P01BN00748
HVCON2MX600APL0000X	P01BN00749



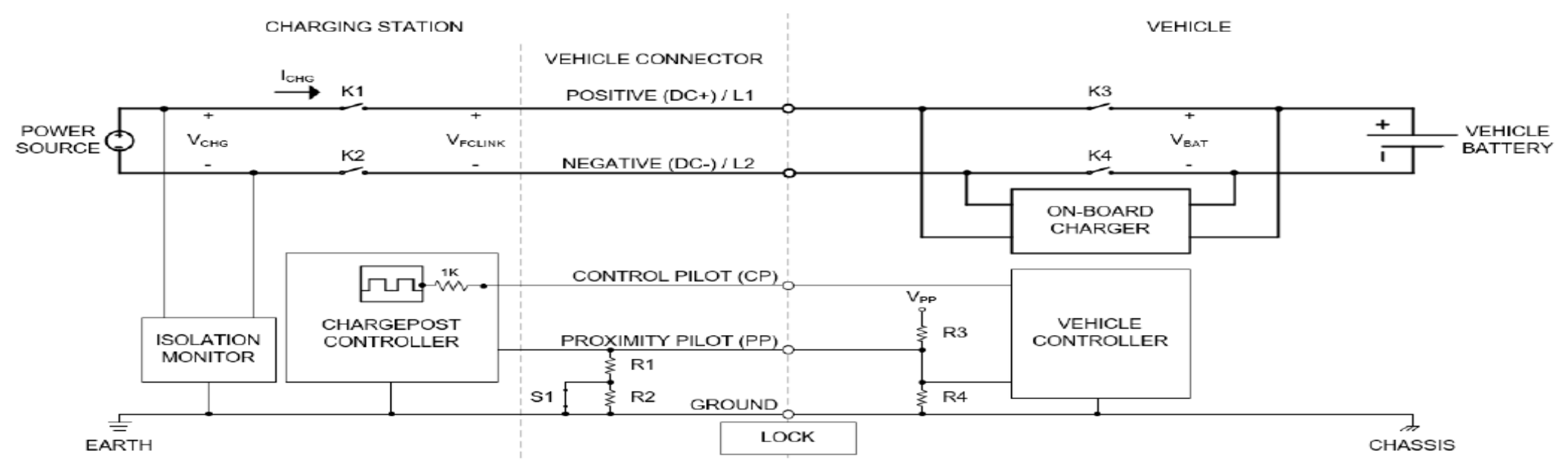
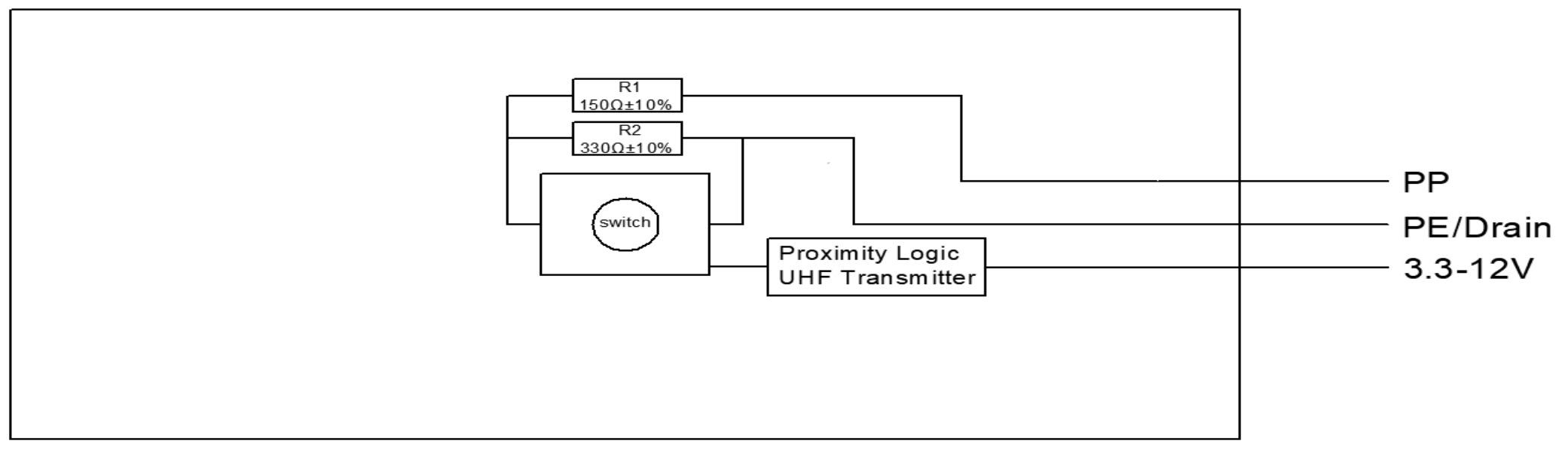
C\_HVCON2MX600AXL0000X

C\_HVCON2MX600AXL0000X

安费诺精密连接器(深圳)有限公司  
Amphenol PCD Shenzhen  
受控文件  
2024年4月1日

SIZE	DWG NO.	REV
A3	C_HVCON2MX600AXL0000X	1
SCALE: 4:5		SHEET 2 OF 8

MA Series PCBA with UHF schematic diagram



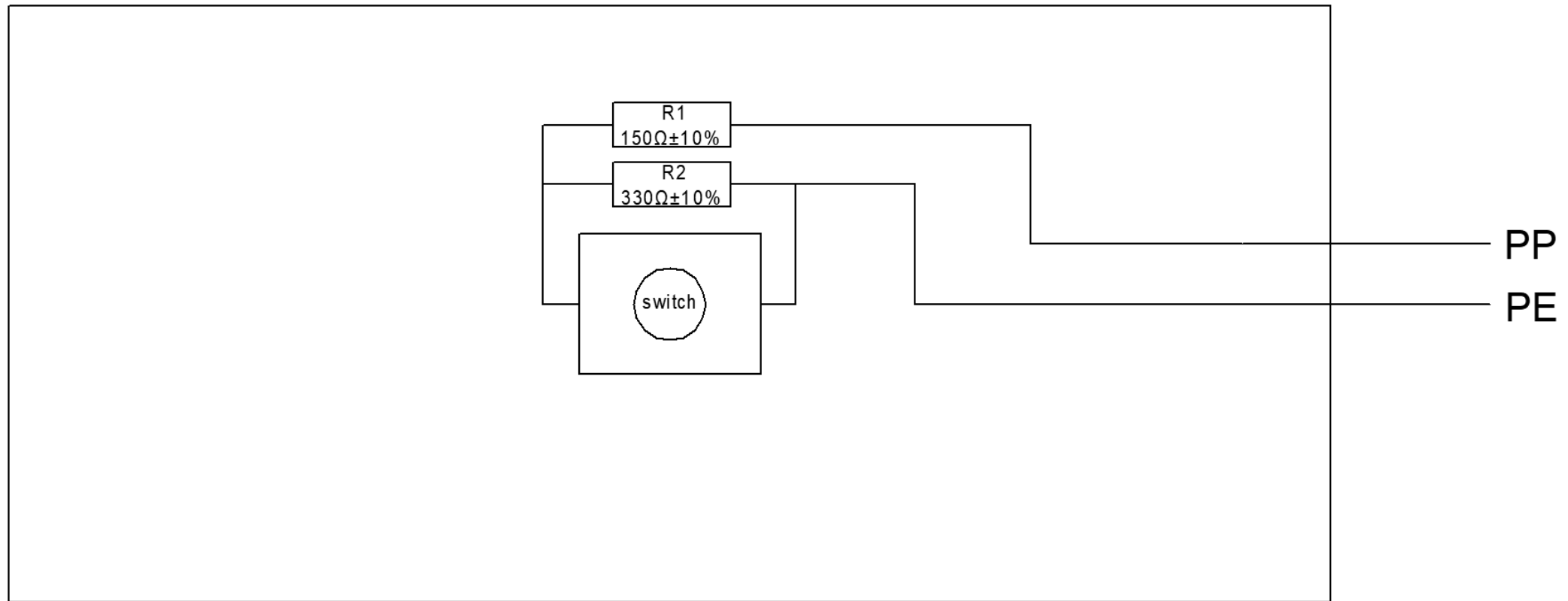
1. UHF transmitter frequency: 434MHz or 315MHz
2. UHF requires input voltage of 3.3-12V and current of <0.1A
3. R1 R2 is the equivalent resistance. The Vpp voltage is measured as shown in the table

	Disconnected	SI no pressed	SI pressed
R3		330Ω±10%	
R4		2.7KΩ±10%	
Vpp	4.5V±10%	1.5V±10%	2.8V±10%

C\_HVCON2MX600AXL0000X

C\_HVCON2MX600AXL0000X

MA Series PCBA without UHF schematic diagram

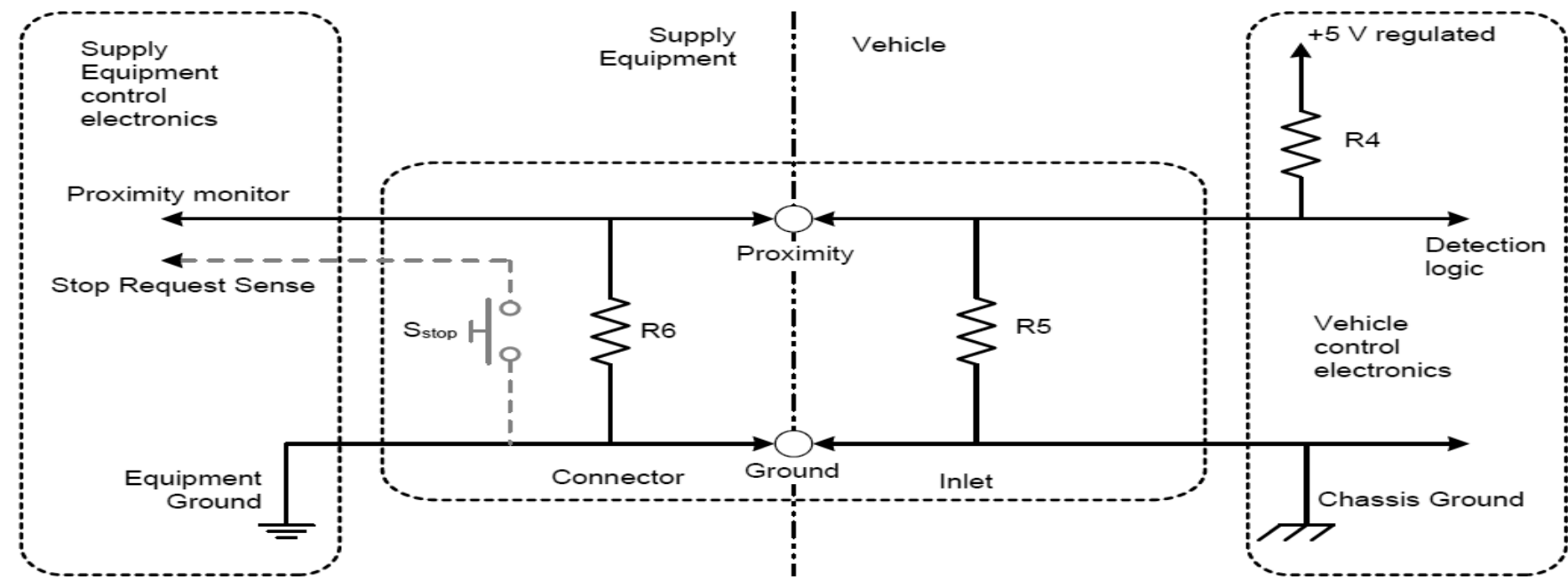
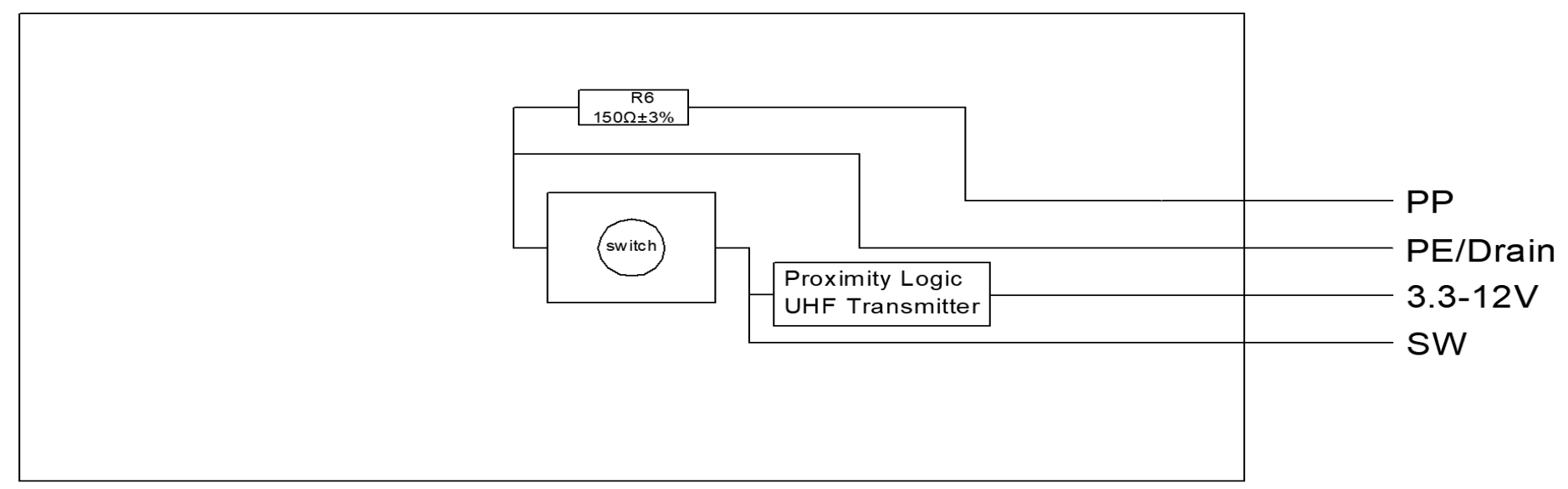


C\_HVCON2MX600AXL0000X

C\_HVCON2MX600AXL0000X

SIZE	DWG NO.	REV
A3	C_HVCON2MX600AXL0000X	1
SCALE: 4:5		SHEET 4 OF 8

MB Series PCBA with UHF schematic diagram



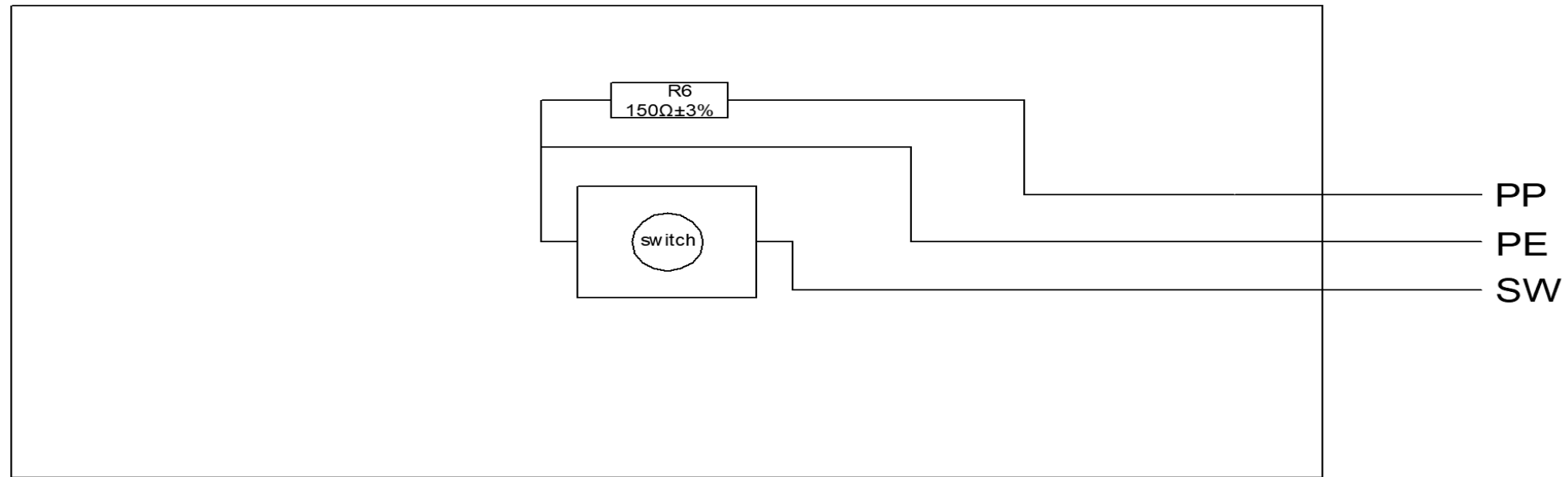
1. UHF transmitter frequency: 434MHz or 315MHz
2. UHF requires input voltage of 3.3-12V and current of <0.1A

C\_HVCON2MX600AXL0000X

C\_HVCON2MX600AXL0000X

SIZE	DWG NO.	REV
A3	C_HVCON2MX600AXL0000X	1
SCALE: 4:5		SHEET 5 OF 8

MB/MC Series PCBA without UHF schematic diagram



MC Series SW no connection

安费诺精密连接器(深圳)有限公司  
Amphenol PCD Shenzhen

---

受 控 文 件

---

2024年4月1日

SIZE	DWG NO.	REV
A3	C_HVCON2MX600AXL0000X	1
SCALE: 4:5		SHEET 6 OF 8



PTI000 R-T(P01BN00749)

Temperature in °C	0	1	2	3	4	5	6	7	8	9
-40	842,71	846,66	850,62	854,57	858,53	862,48	866,43	870,38	874,32	878,27
-30	882,22	886,16	890,10	894,04	897,98	901,92	905,86	909,80	913,73	917,67
-20	921,60	925,53	929,46	933,39	937,32	941,24	945,17	949,09	953,02	956,94
-10	960,86	964,78	968,70	972,61	976,53	980,44	984,36	988,27	992,18	996,09
<b>0</b>	<b>1000,00</b>	1003,91	1007,81	1011,72	1015,62	1019,53	1023,43	1027,33	1031,23	1035,13
10	1039,03	1042,92	1046,82	1050,71	1054,60	1058,50	1062,39	1066,27	1070,16	1074,05
20	1077,94	1081,82	1085,70	1089,59	1093,47	1097,35	1101,23	1105,10	1108,98	1112,86
30	1116,73	1120,60	1124,47	1128,35	1132,22	1136,08	1139,95	1143,82	1147,68	1151,55
40	1155,41	1159,27	1163,13	1166,99	1170,85	1174,70	1178,56	1182,41	1186,27	1190,12
50	1193,97	1197,82	1201,67	1205,52	1209,36	1213,21	1217,05	1220,90	1224,74	1228,58
60	1232,42	1236,26	1240,10	1243,93	1247,77	1251,60	1255,43	1259,26	1263,09	1266,92
70	1270,75	1274,58	1278,40	1282,23	1286,05	1289,87	1293,70	1297,52	1301,33	1305,15
80	1308,97	1312,78	1316,60	1320,41	1324,22	1328,03	1331,84	1335,65	1339,46	1343,26
90	1347,07	1350,87	1354,68	1358,48	1362,28	1366,08	1369,88	1373,67	1377,47	1381,26
100	1385,06	1388,85	1392,64	1396,43	1400,22	1404,01	1407,79	1411,58	1415,36	1419,14
110	1422,93	1426,71	1430,49	1434,26	1438,04	1441,82	1445,59	1449,37	1453,14	1456,91
120	1460,68	1464,45	1468,22	1471,98	1475,75	1479,51	1483,28	1487,04	1490,80	1494,56

C\_HVCON2MX600AXL0000X

C\_HVCON2MX600AXL0000X

安费诺精密连接器(深圳)有限公司  
Amphenol PCD Shenzhen

受控文件

2024年4月1日

SIZE	DWG NO.	REV
A3	C_HVCON2MX600AXL0000X	1
SCALE: 4:5		SHEET 7 OF 8

NTC R-T(P01BN00748)

Temperature in °C	0	1	2	3	4	5	6	7	8	9
-40	343.6326	321.2809	300.5339	281.2660	263.3624	246.7177	231.2355	216.8273	203.4118	190.9144
-30	179.2666	168.4053	158.2726	148.8151	139.9837	131.7332	124.0216	116.8107	110.0648	103.7512
-20	97.8396	92.3020	87.1124	82.2471	77.6837	73.4018	69.3823	65.6077	62.0616	58.7288
-10	55.5953	52.6480	49.8747	47.2643	44.8062	42.4906	40.3086	38.2516	36.3117	34.4817
0	32.7547	31.1243	29.5847	28.1301	26.7556	25.4562	24.2274	23.0650	21.9650	20.9239
10	19.9380	19.0041	18.1193	17.2807	16.4857	15.7317	15.0164	14.3376	13.6933	13.0816
20	12.5005	11.9485	11.4239	10.9252	10.4510	10.0000	9.5709	9.1626	8.7738	8.4037
30	8.0512	7.7154	7.3953	7.0903	6.7995	6.5221	6.2576	6.0051	5.7642	5.5342
40	5.3146	5.1049	4.9045	4.7130	4.5300	4.3551	4.1878	4.0278	3.8748	3.7283
50	3.5882	3.4540	3.3255	3.2025	3.0846	2.9717	2.8635	2.7597	2.6603	2.5649
60	2.4734	2.3856	2.3014	2.2206	2.1431	2.0686	1.9970	1.9283	1.8623	1.7989
70	1.7380	1.6794	1.6231	1.5689	1.5168	1.4667	1.4185	1.3722	1.3275	1.2845
80	1.2431	1.2033	1.1649	1.1279	1.0923	1.0580	1.0249	0.9930	0.9623	0.9326
90	0.9040	0.8764	0.8498	0.8241	0.7994	0.7754	0.7523	0.7300	0.7085	0.6877
100	0.6676	0.6482	0.6295	0.6113	0.5938	0.5769	0.5605	0.5447	0.5293	0.5145
110	0.5002	0.4863	0.4729	0.4599	0.4474	0.4352	0.4234	0.4120	0.4009	0.3902
120	0.3799	0.3698	0.3601	0.3506	0.3415	0.3326	0.3240	0.3157	0.3076	0.2998

安费诺精密连接器(深圳)有限公司  
Amphenol PCD Shenzhen

受 控 文 件

2024年4月1日

SIZE	DWG NO.	REV
A3	C_HVCON2MX600AXL0000X	1
SCALE: 4:5		SHEET 8 OF 8