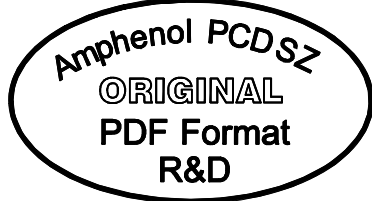
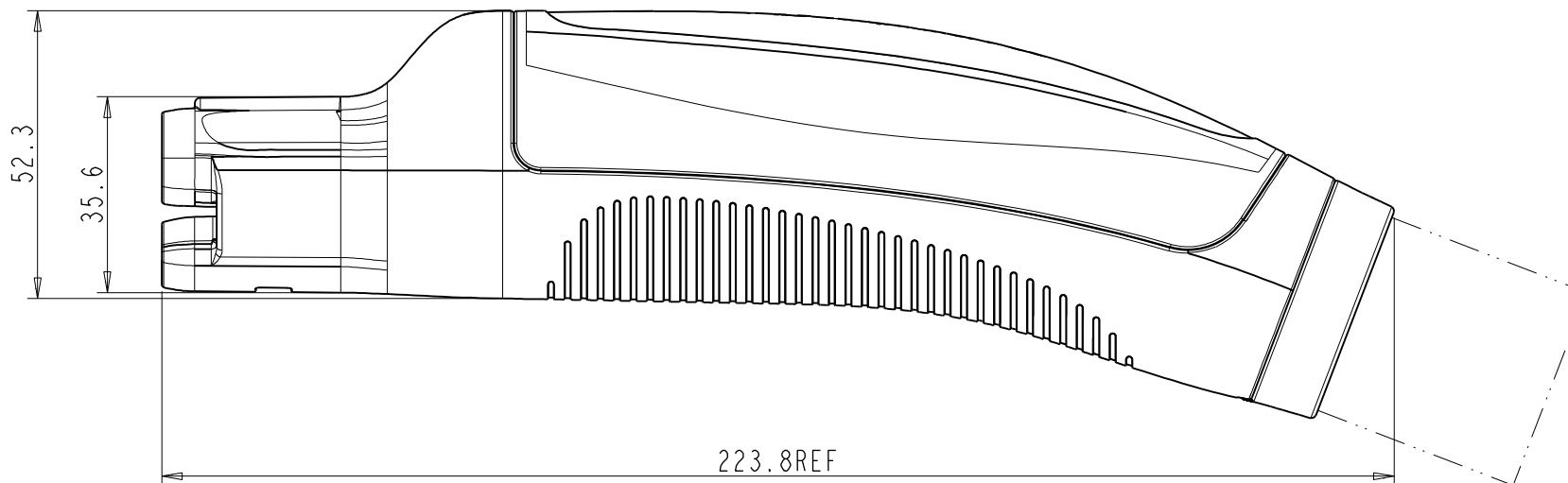
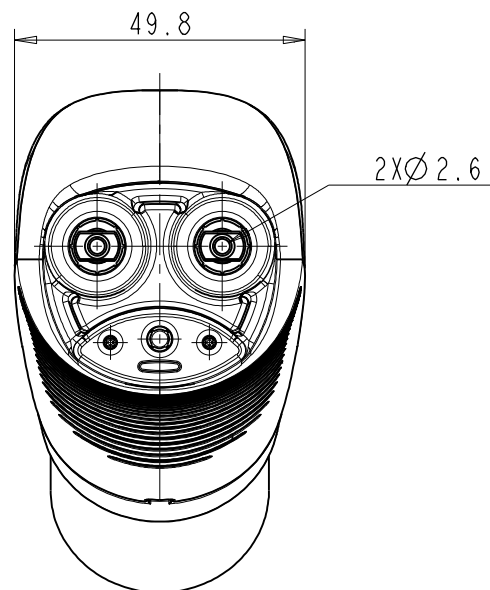
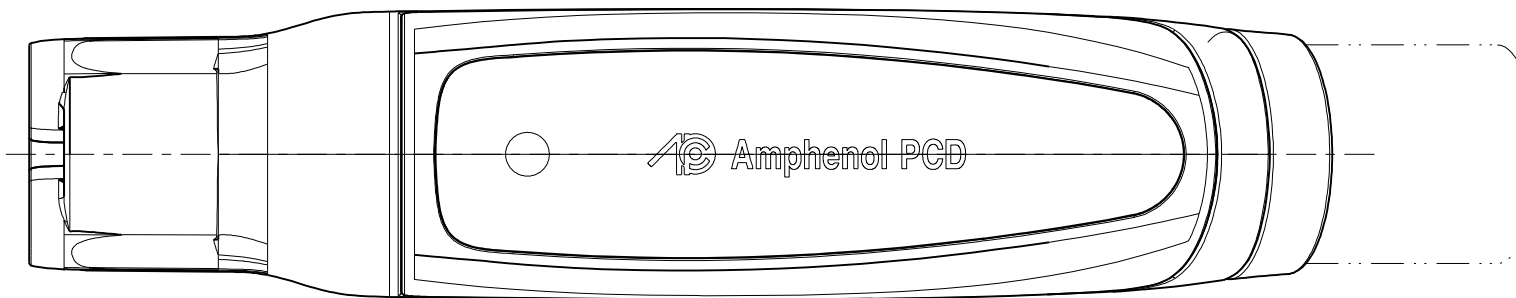
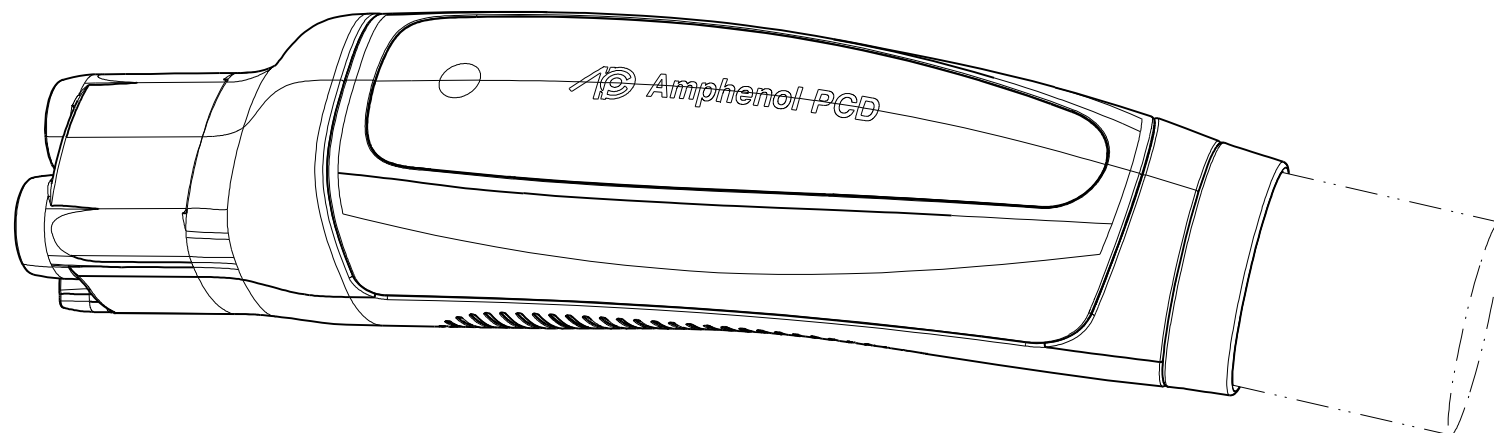


REV	ECN	DESCRIPTION	DATE	MODIFIED
1		PRE-RELEASE	Mar-29-24	



+ CRITICAL CHARACTERISTICS 关键特性  
◎ IMPORTANT CHARACTERISTICS 重要特性

TECHNICAL DATA		
CURRENT RATE 2X1/0AWG	380A@40°C	+
CURRENT RATE 2X1/0AWG	300A@50°C	+
CURRENT RATE 2X2AWG	250A@50°C	+
CURRENT RATE 2X3AWG	200A@50°C	+
SIGNAL CURRENT RATE	2A	+
VOLTAGE RATE	POWER:1000V DC	+
	SIGNAL:30V	
STORAGE TEMPERATURE	-40-105°C	NA
DIELECTRIC WITHSTANDING VOLTAGE	3000V DC	+
INSULATION RESISTANCE	200MΩ	+
DURABILITY	20000 CYCLES	◎
IP PROTECTION	IP2XB	
	TYPE 3S(MATED)	+
AMBIENT TEMPERATURE	-30-40°C, 50°C	NA
400A CABLE SIZE(JACKET DIAMETER)	∅36.5±1.0MM	◎
250A CABLE SIZE(JACKET DIAMETER)	∅30.5±1.0MM	◎
200A CABLE SIZE(JACKET DIAMETER)	∅28.2±0.8MM	◎



HVCONIMXXXXAXL0000X

Blank : WITHOUT UHF  
U: WITH UHF 315MHZ  
N:NTC UI: WITH UHF 434MHZ

380A@40°C 300A@50°C  
250A@50°C  
200A@50°C

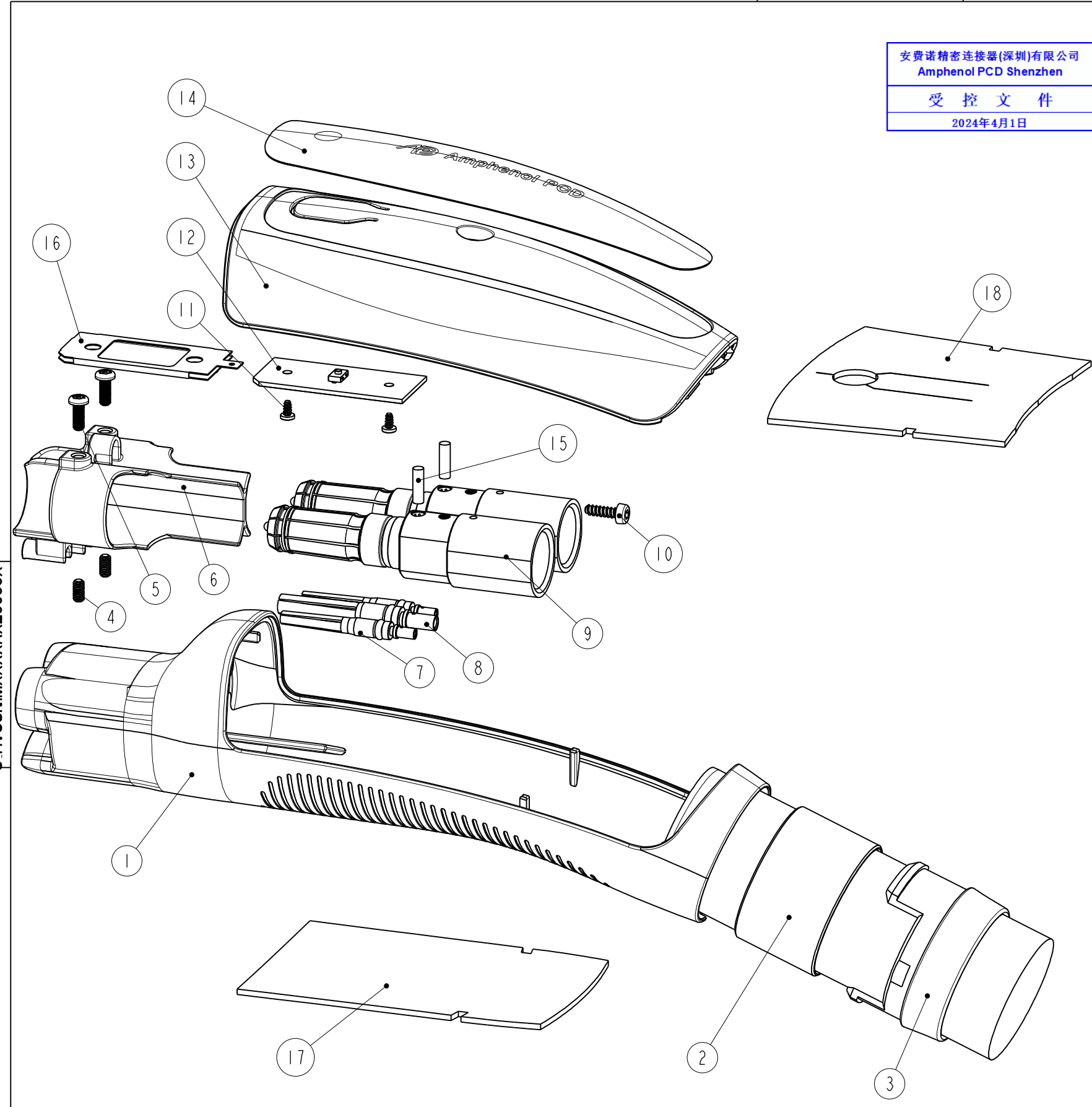
A: ACCORD WITH TS-0023666  
B: ACCORD WITH SAE J3400  
C: ACCORD WITH SAE J3400 NO BUTTON

DIMENSIONS	TOLERANCES	PROJECTION	TITLE		
ANSI Y14.5M UNITS: MM Pro/E FILE	.X ±0.5 .XX ±0.05 ANGLES ±2.0		Amphenol PCD Shenzhen		
			NACS DC		
			ENGR	Mar-29-24	
ORIGINAL	THIS DOCUMENT CONTAINS PROPRIETARY INFORMATION WHICH IS THE CONFIDENTIAL PROPERTY OF Amphenol PCD Shenzhen Co. Ltd Amphenol PCD Shenzhen Co. Ltd RESERVES THE RIGHT TO CLARIFY THIS DRAWING	CHKD	SIZE	DWG NO.	REV
		APPD	A3	C.HVCONIMXXXXAXL0000X	1
			SCALE: 4:5		SHEET 1 OF 8

C.HVCONIMXXXXAXL0000X

C.HVCONIMXXXXAXL0000X

安费诺精密连接器(深圳)有限公司  
Amphenol PCD Shenzhen  
受控文件  
2024年4月1日



18	P0IBN02379	INSULATION FELT FOR COVER	1	
17	P0IBN02378	INSULATION FELT FOR BODY	1	
16	P0IBR01027	PROTECTIVE SLEEVE	1	
15	SEE TABLE 3	SENSOR	2	
14	P0IBP00949	PLASTIC PATCH	1	
13	SEE TABLE 1	COVER	1	
12	SEE TABLE 2	PCBA	1	
11	P0IBN01616	PCBA SCREW	2	
10	P0IBM00214	CONTACT BODY SCREW	1	
9	SEE TABLE 1	POWER CONTACT	2	
8	P02B000585	PE CONTACT	1	
7	P02B000584	SIGNAL CONTACT	2	
6	P0IBP0094702	INTERIOR BODY	1	
5	P0IBN01165	POWER CONTACT SCREW1	2	
4	P0IBN01170	POWER CONTACT SCREW2	2	
3	SEE TABLE 1	END CAP	1	
2	SEE TABLE 1	STAINLESS TUBE	1	
1	P0IBP00944	PLUG BODY	1	
Index	PN	Description	QTY	Note

TABLE 1

	2# P/N	3# P/N	9# P/N	13# P/N
HVCONIMA380AXL0000X/ HVCONIMB380AXL0000X/ HVCONIMA300AXL0000X/ HVCONIMB300AXL0000X	P0IBM0183302	P0IBP0094602	P02B000581	P0IBP00945
HVCONIMA250AXL0000X/ HVCONIMB250AXL0000X	P0IBM0183301	P0IBP0094601	P02B000582	P0IBP00945
HVCONIMA200AXL0000X/ HVCONIMB200AXL0000X	P0IBM0183303	P0IBP0094603	P02B000583	P0IBP00945
HVCONIMC380AXL0000X/ HVCONIMC300AXL0000X	P0IBM0183302	P0IBP0094602	P02B000581	P0IBP0094501
HVCONIMC250AXL0000X	P0IBM0183301	P0IBP0094601	P02B000582	P0IBP0094501
HVCONIMC200AXL0000X	P0IBM0183303	P0IBP0094603	P02B000583	P0IBP0094501

TABLE 2

ITEM 12	P/N
HVCONIMAXXXAXL0000	P0IBN02087
HVCONIMAXXXAXL0000U	P0IBN02339
HVCONIMAXXXAXL0000UI	P0IBN01617
HVCONIMBXXAXL0000	P0IBN02259
HVCONIMBXXAXL0000U	P0IBN02340
HVCONIMBXXAXL0000UI	P0IBN02260
HVCONIMCXXAXL0000	P0IBN02259

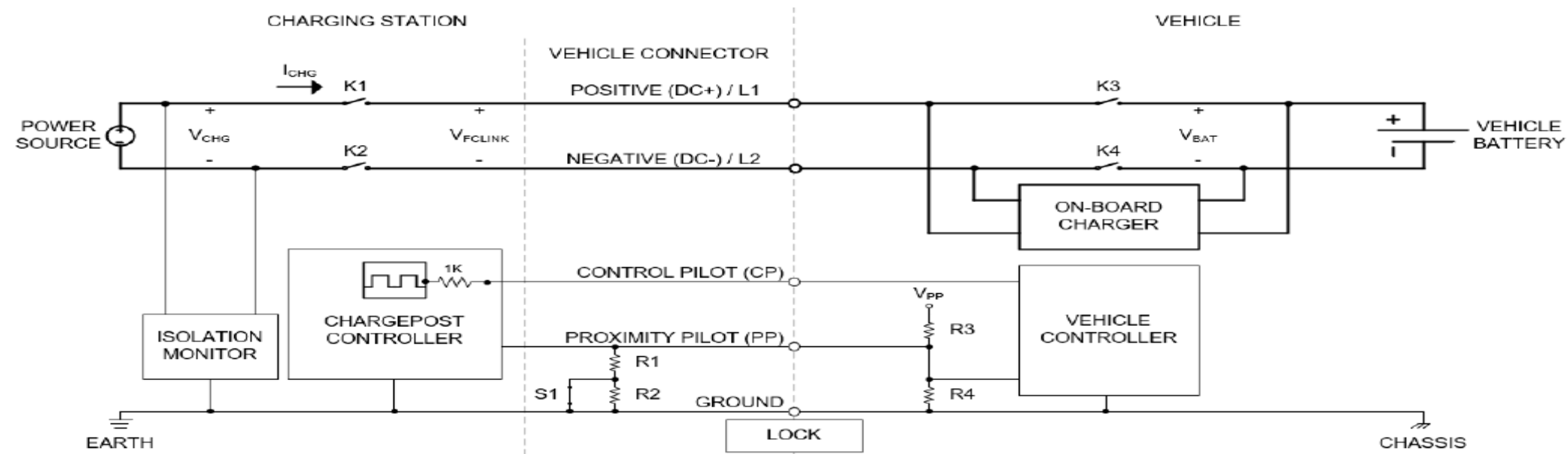
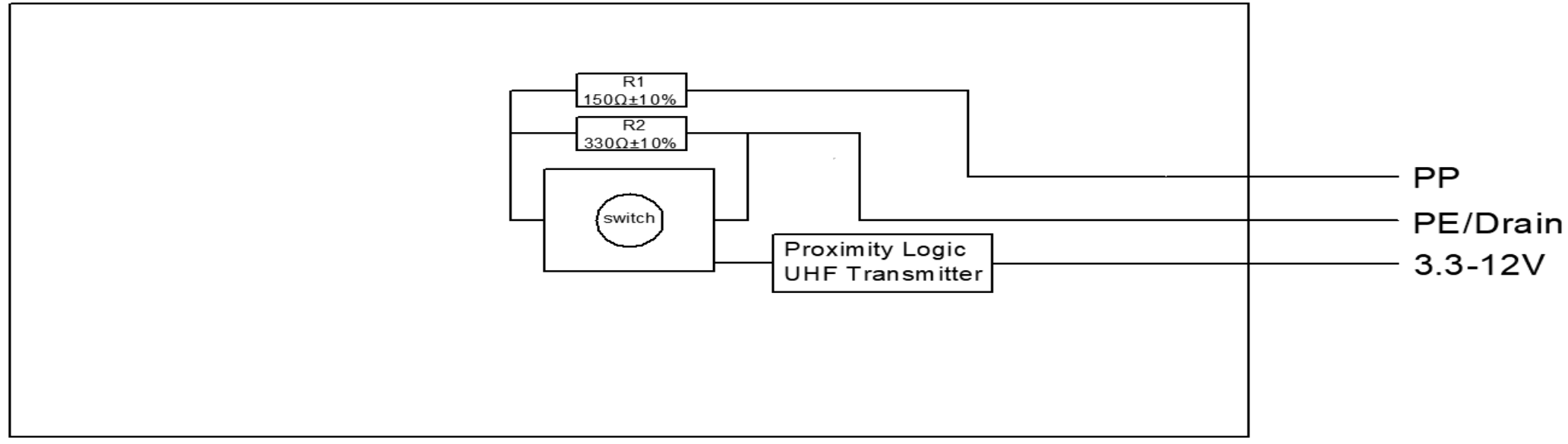
TABLE 3

ITEM 15	P/N
HVCONIMXXXXANL0000X	P0IBN00748
HVCONIMXXXXAPL0000X	P0IBN00749

C\_HVCONIMXXXXAXL0000X

C\_HVCONIMXXXXAXL0000X

MA Series PCBA with UHF schematic diagram

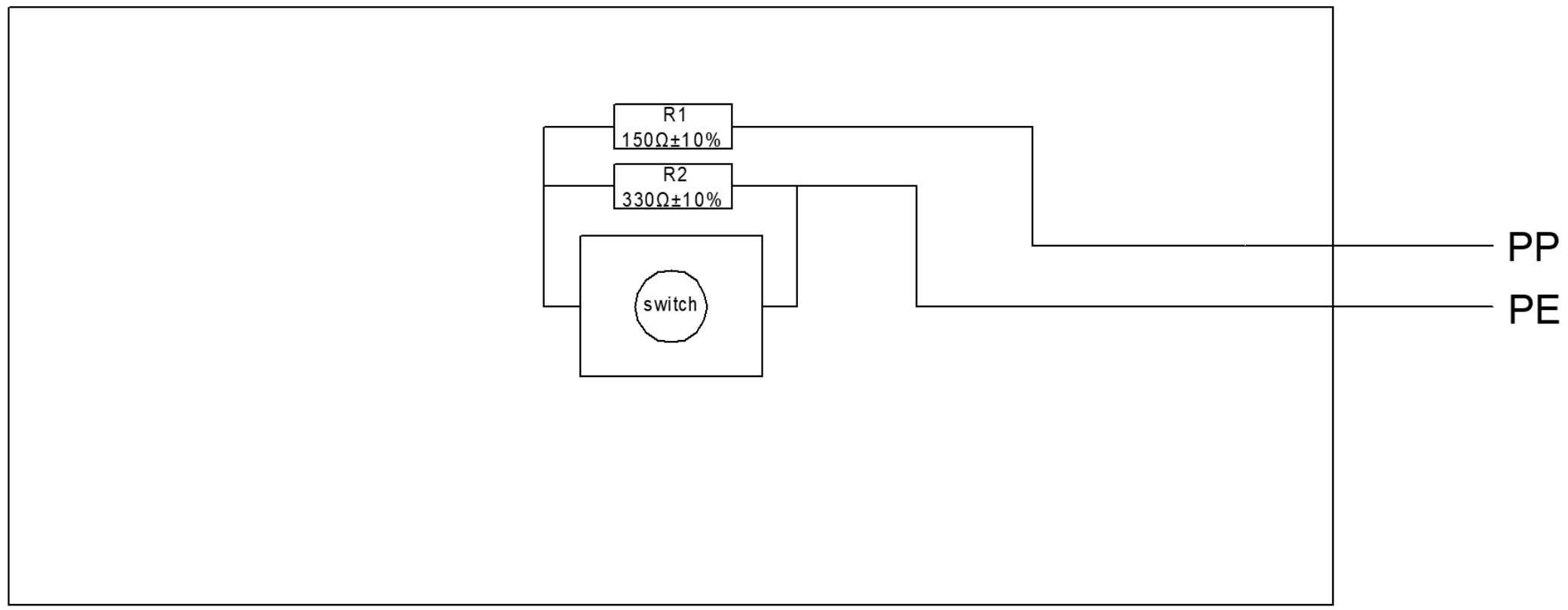


1. UHF transmitter frequency: 434MHz or 315MHz
2. UHF requires input voltage of 3.3-12V and current of <0.1A
3. R1 R2 is the equivalent resistance. The Vpp voltage is measured as shown in the table

	Disconnected	SI no pressed	SI pressed
R3		330Ω±10%	
R4		2.7KΩ±10%	
Vpp	4.5V±10%	1.5V±10%	2.8V±10%

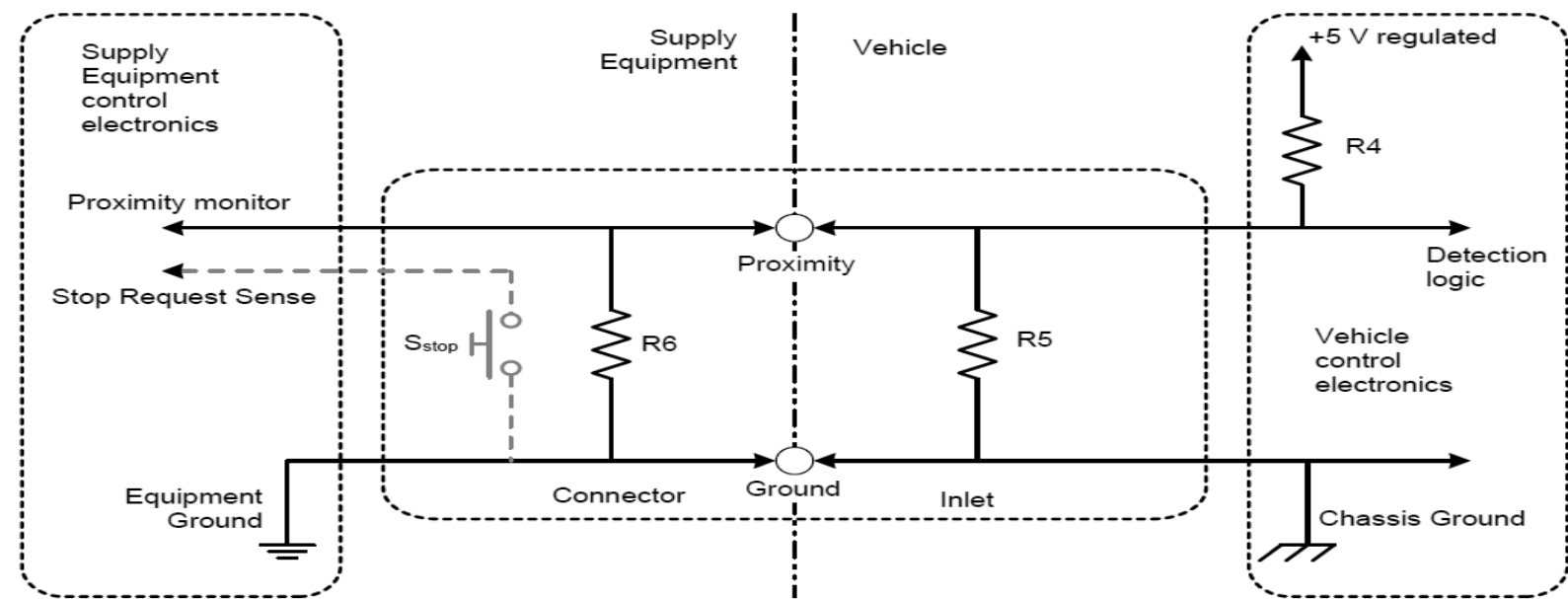
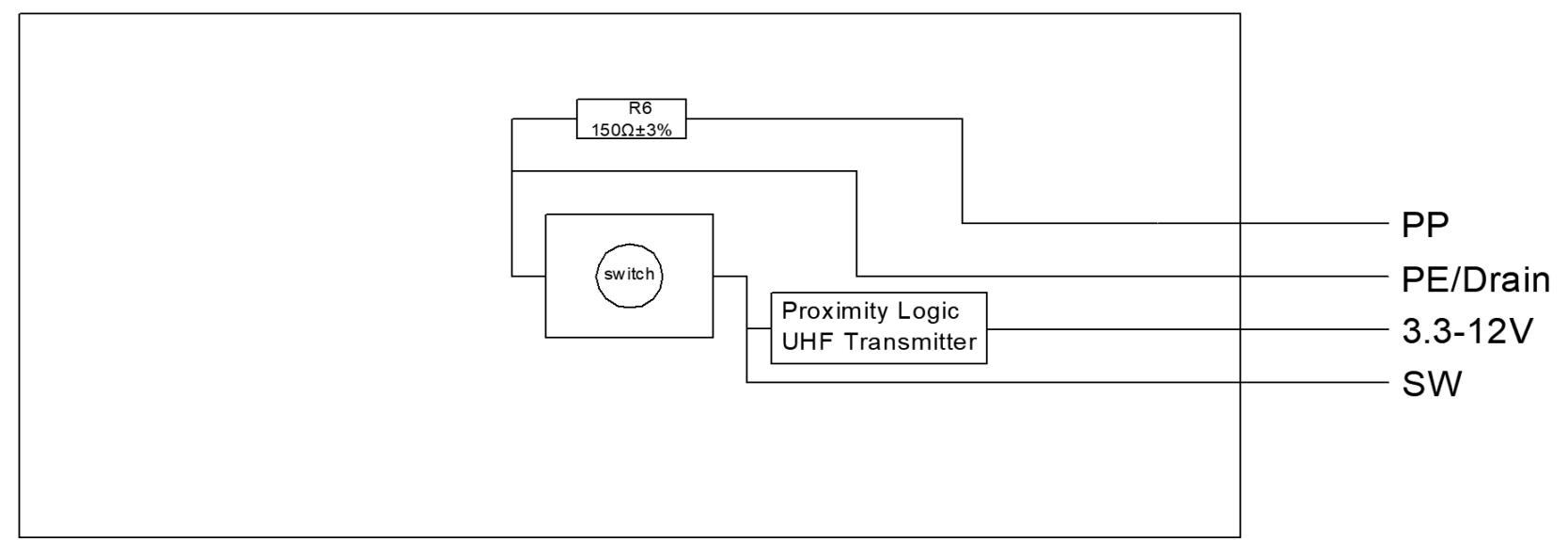
安费诺精密连接器(深圳)有限公司  
Amphenol PCD Shenzhen  
受控文件  
2024年4月1日

MA Series PCBA without UHF schematic diagram



SIZE	DWG NO.	REV
A3	C_HVCON1MXXXAXL0000X	1
SCALE: 4:5		SHEET 4 OF 8

MB Series PCBA with UHF schematic diagram



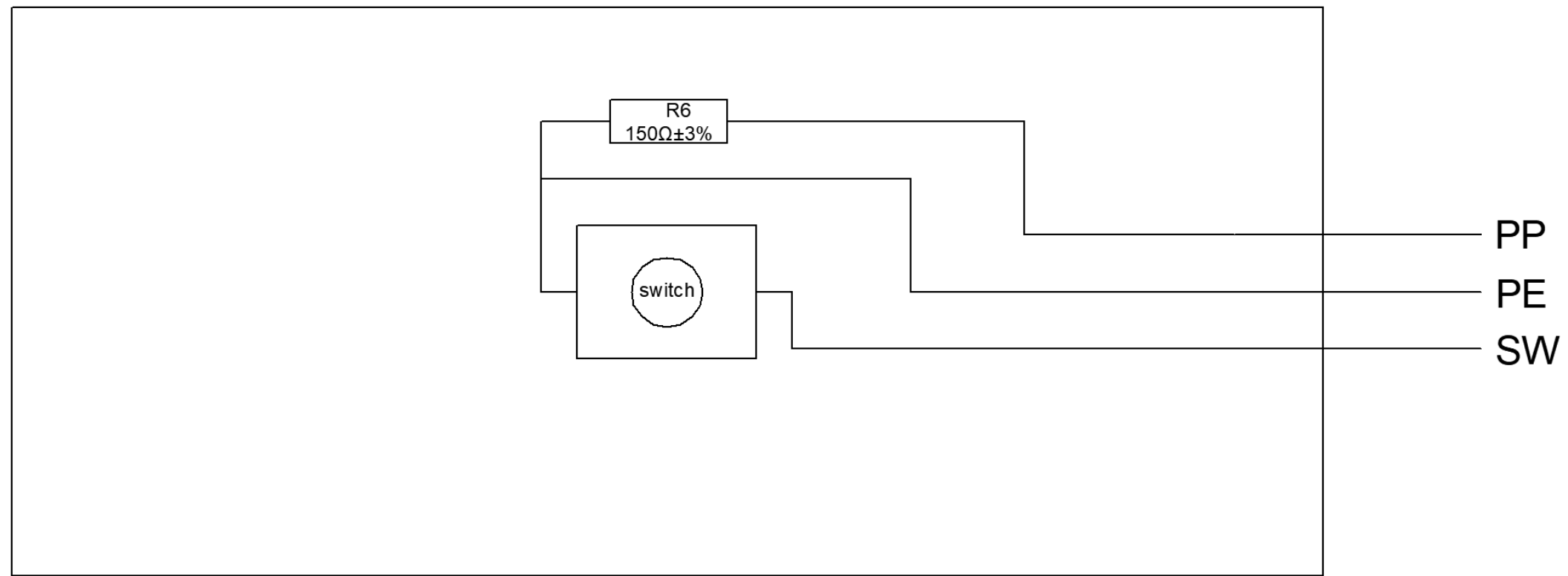
1. UHF transmitter frequency: 434MHz or 315MHz
2. UHF requires input voltage of 3.3-12V and current of <0.1A

C\_HVCON1MXXXXAXL0000X

C\_HVCON1MXXXXAXL0000X

SIZE	DWG NO.	REV
A3	C_HVCON1MXXXXAXL0000X	1
SCALE: 4:5		SHEET 5 OF 8

MB/MC Series PCBA without UHF schematic diagram



MC Series SW no connection

SIZE	DWG NO.	REV
A3	C_HVCON1MXXXXAXL0000X	1
SCALE: 4:5		SHEET 6 OF 8

PT1000 R-T(P01BN00749)

Temperature in °C	0	1	2	3	4	5	6	7	8	9
-40	842,71	846,66	850,62	854,57	858,53	862,48	866,43	870,38	874,32	878,27
-30	882,22	886,16	890,10	894,04	897,98	901,92	905,86	909,80	913,73	917,67
-20	921,60	925,53	929,46	933,39	937,32	941,24	945,17	949,09	953,02	956,94
-10	960,86	964,78	968,70	972,61	976,53	980,44	984,36	988,27	992,18	996,09
<b>0</b>	<b>1000,00</b>	1003,91	1007,81	1011,72	1015,62	1019,53	1023,43	1027,33	1031,23	1035,13
10	1039,03	1042,92	1046,82	1050,71	1054,60	1058,50	1062,39	1066,27	1070,16	1074,05
20	1077,94	1081,82	1085,70	1089,59	1093,47	1097,35	1101,23	1105,10	1108,98	1112,86
30	1116,73	1120,60	1124,47	1128,35	1132,22	1136,08	1139,95	1143,82	1147,68	1151,55
40	1155,41	1159,27	1163,13	1166,99	1170,85	1174,70	1178,56	1182,41	1186,27	1190,12
50	1193,97	1197,82	1201,67	1205,52	1209,36	1213,21	1217,05	1220,90	1224,74	1228,58
60	1232,42	1236,26	1240,10	1243,93	1247,77	1251,60	1255,43	1259,26	1263,09	1266,92
70	1270,75	1274,58	1278,40	1282,23	1286,05	1289,87	1293,70	1297,52	1301,33	1305,15
80	1308,97	1312,78	1316,60	1320,41	1324,22	1328,03	1331,84	1335,65	1339,46	1343,26
90	1347,07	1350,87	1354,68	1358,48	1362,28	1366,08	1369,88	1373,67	1377,47	1381,26
100	1385,06	1388,85	1392,64	1396,43	1400,22	1404,01	1407,79	1411,58	1415,36	1419,14
110	1422,93	1426,71	1430,49	1434,26	1438,04	1441,82	1445,59	1449,37	1453,14	1456,91
120	1460,68	1464,45	1468,22	1471,98	1475,75	1479,51	1483,28	1487,04	1490,80	1494,56

C\_HVCON1MXXXAXL0000X

C\_HVCON1MXXXAXL0000X

安费诺精密连接器(深圳)有限公司  
Amphenol PCD Shenzhen  
受 控 文 件  
2024年4月1日

SIZE	DWG NO.	REV
A3	C_HVCON1MXXXAXL0000X	1
SCALE: 4:5		SHEET 7 OF 8

安费诺精密连接器(深圳)有限公司  
Amphenol PCD Shenzhen

受控文件

2024年4月1日

NTC R-T(P01BN00748)

Temperature in °C	0	1	2	3	4	5	6	7	8	9
-40	343.6326	321.2809	300.5339	281.2660	263.3624	246.7177	231.2355	216.8273	203.4118	190.9144
-30	179.2666	168.4053	158.2726	148.8151	139.9837	131.7332	124.0216	116.8107	110.0648	103.7512
-20	97.8396	92.3020	87.1124	82.2471	77.6837	73.4018	69.3823	65.6077	62.0616	58.7288
-10	55.5953	52.6480	49.8747	47.2643	44.8062	42.4906	40.3086	38.2516	36.3117	34.4817
0	32.7547	31.1243	29.5847	28.1301	26.7556	25.4562	24.2274	23.0650	21.9650	20.9239
10	19.9380	19.0041	18.1193	17.2807	16.4857	15.7317	15.0164	14.3376	13.6933	13.0816
20	12.5005	11.9485	11.4239	10.9252	10.4510	10.0000	9.5709	9.1626	8.7738	8.4037
30	8.0512	7.7154	7.3953	7.0903	6.7995	6.5221	6.2576	6.0051	5.7642	5.5342
40	5.3146	5.1049	4.9045	4.7130	4.5300	4.3551	4.1878	4.0278	3.8748	3.7283
50	3.5882	3.4540	3.3255	3.2025	3.0846	2.9717	2.8635	2.7597	2.6603	2.5649
60	2.4734	2.3856	2.3014	2.2206	2.1431	2.0686	1.9970	1.9283	1.8623	1.7989
70	1.7380	1.6794	1.6231	1.5689	1.5168	1.4667	1.4185	1.3722	1.3275	1.2845
80	1.2431	1.2033	1.1649	1.1279	1.0923	1.0580	1.0249	0.9930	0.9623	0.9326
90	0.9040	0.8764	0.8498	0.8241	0.7994	0.7754	0.7523	0.7300	0.7085	0.6877
100	0.6676	0.6482	0.6295	0.6113	0.5938	0.5769	0.5605	0.5447	0.5293	0.5145
110	0.5002	0.4863	0.4729	0.4599	0.4474	0.4352	0.4234	0.4120	0.4009	0.3902
120	0.3799	0.3698	0.3601	0.3506	0.3415	0.3326	0.3240	0.3157	0.3076	0.2998

C\_HVCON1MXXXXAXL0000X

C\_HVCON1MXXXXAXL0000X

SIZE	DWG NO.	REV
A3	C_HVCON1MXXXXAXL0000X	1
SCALE: 4:5		SHEET 8 OF 8