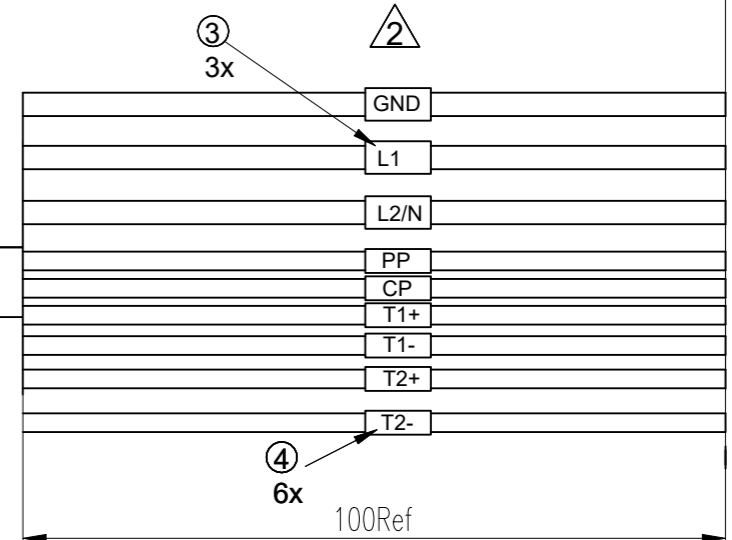
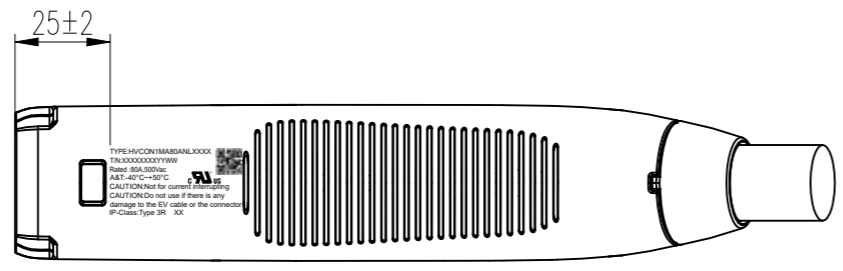
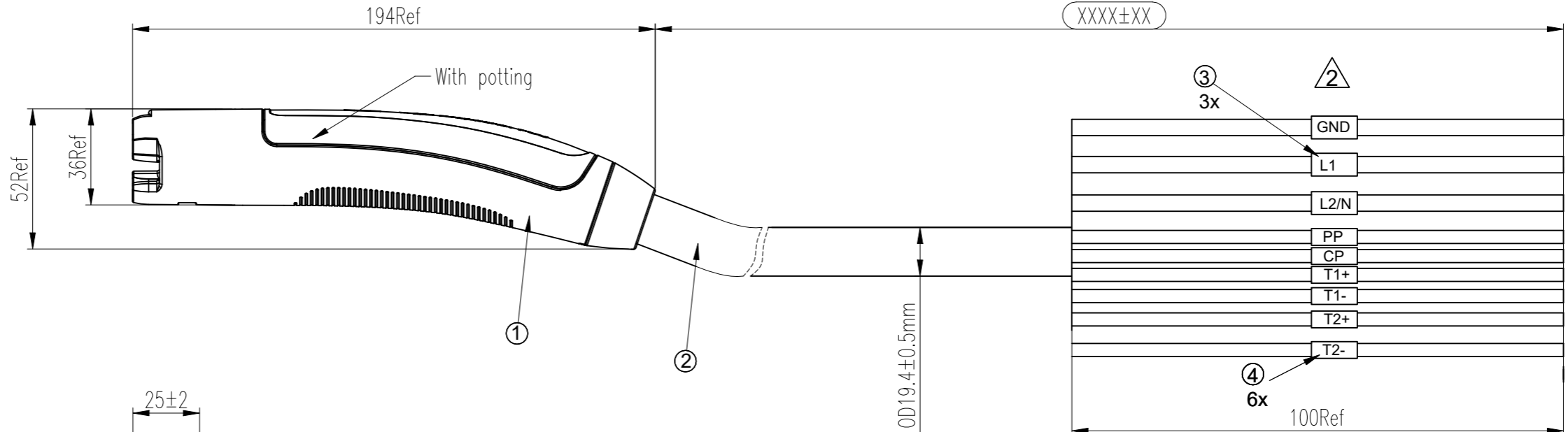
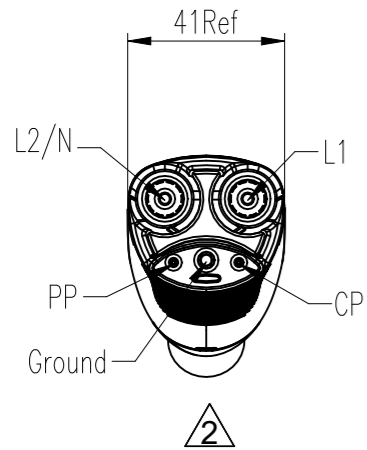
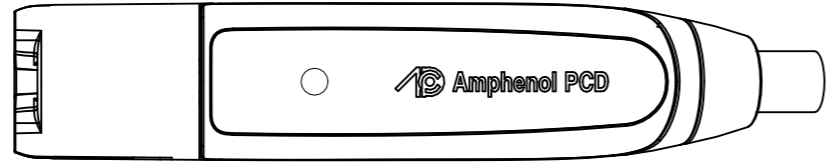
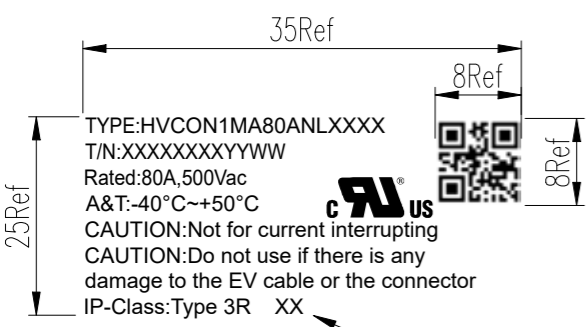


| REV | ECN    | DESCRIPTION                     | DATE        | MODIFIED |
|-----|--------|---------------------------------|-------------|----------|
| 1   |        | RELEASE                         | Oct-23-2023 |          |
| 2   | R8158W | CHANGE 1000V TO 500V & 3S TO 3R | Jun-03-2024 |          |

Amphenol PCD  
ORIGINAL  
PDF Format  
R&D



LASER MARKING



QR code,  
Content including:Part number  
#Work order number  
# Serial number ex:0001  
(ex:HVCON1MA80ANLXXXX#XXXXXX#0001)

CN:Made in China  
MX:Made in Mexico  
US:Made in US

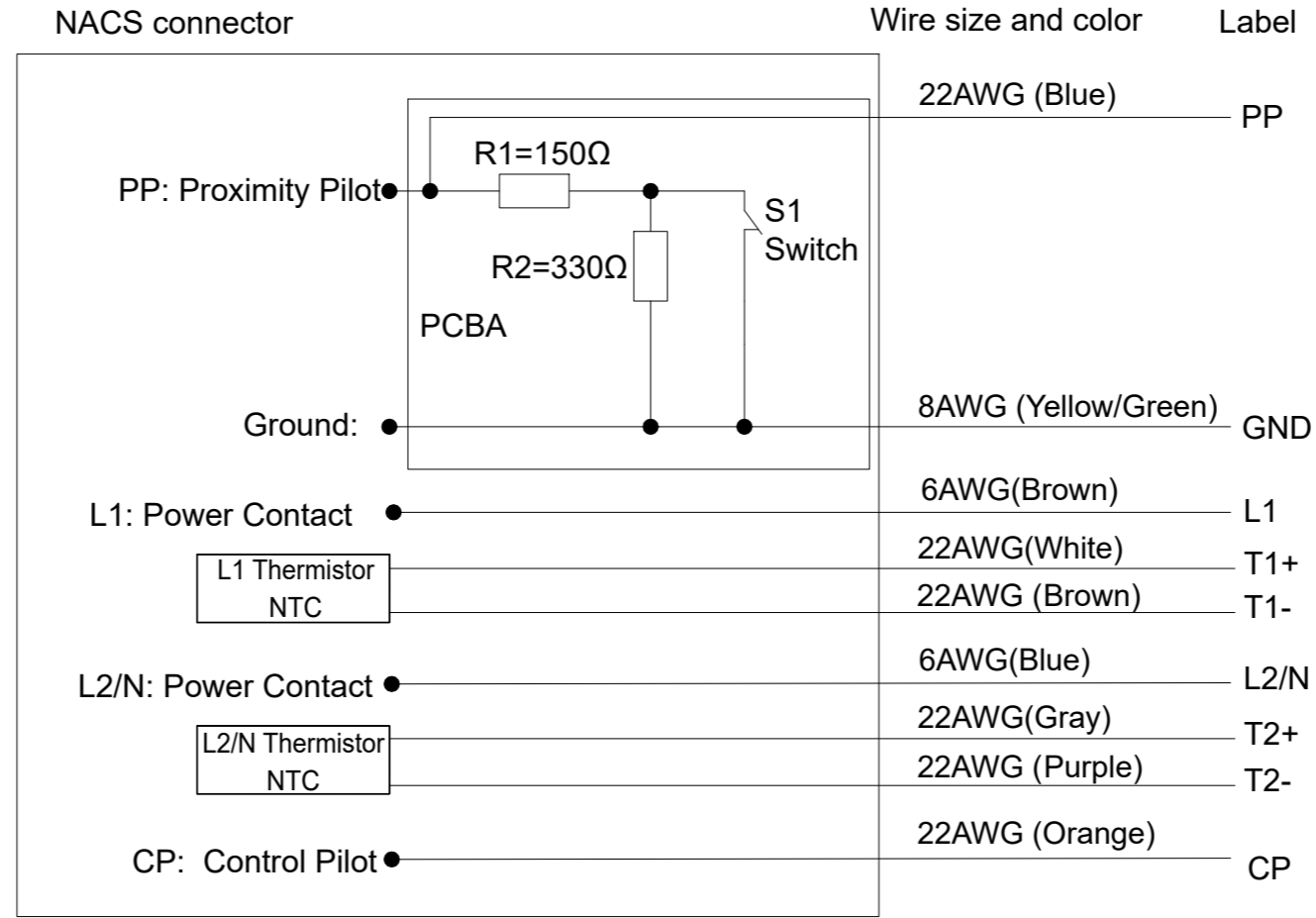
T/N:XXXXXXXXYYWW  
Work order number + batch number+year+Week  
Font: Arial

| DIMENSIONS   | TOLERANCES                             | PROJECTION | TITLE                 |   |                             |
|--|--|------------|-----------------------|---|-----------------------------|
| ANSI Y14.5M<br>UNITS: MM<br>CAD FILE   | .X ± 0.50<br>.XX ± 0.05<br>ANGLES ± 2° |            | Amphenol PCD Shenzhen |   |                             |
| ORIGINAL   |  |            | ENGR                  | NACS AC 80A VEHICLE CONNECTOR<br>WITHOUT UHF CABLE ASSEMBLY |                             |
| THIS DOCUMENT CONTAINS PROPRIETARY INFORMATION WHICH IS THE CONFIDENTIAL PROPERTY OF Amphenol PCD Shenzhen Co. Ltd<br>Amphenol PCD Shenzhen Co. Ltd RESERVES THE RIGHT TO CLARIFY THIS DRAWING |  |            | CHKD                  | SIZE A3   | DWG NO. C-HVCON1MA80ANLXXXX |
|  |  |            | APPD                  | SCALE 1:2   | REV 2                       |
|  |  |            |                       | SHEET 1 OF 2  |                             |

C-HVCON1MA80ANLXXXX

C-HVCON1MA80ANLXXXX

AC Mode of Connection  
WITHOUT UHF



\*Notes:

- Cable assembly data:
  - ✦ Rated Voltage: 500V AC(L1&L2/N),30V DC(CP&PP);
  - ✦ Rated Current: 80A Max(L1&L2/N)  
2A Max(CP&PP);
  - ✦ Insulation Resistance: 100MΩ Min(1000V DC FOR L1&L2/N,500V DC for others)
  - ✦ Withstand Voltage: 3000V/AC r.m.s(L1&L2/N); Others 500V/AC r.m.s
  - ✦ IP-Class: IP67( Enclosure);Type 3R(Plugged in)
  - ✦ RoHS Compliance
  - © Durability: ≥ 10,000 cycles
- Ambient Temperature: -40°C ~ +50°C(+55°C max,Current reduction required, when the working temperature is beyond 90°C)
- NACS Plug reference: C-HVCON1MXXXAXL0000X
- Cable Minimum Bending Radius: 5 OD @Fixed installation, 9 OD@Free movement or Under mechanical load
- Weight of Cable: app 590g/m
- Standard:UL2251;TS-0023666;J3400
- Cable Length Tolerance:

| Total Length | Tolerance |
|--------------|-----------|
| 0~1000mm     | ±50       |
| 1001~5000mm  | ±100      |
| >5000mm      | ±200      |

| ④    | P05B000002  | SINGLE-WALL H.S.T: Ø2.5 WHITE           | 0.12 | m    |
|------|-------------|---|------|------|
| ③    | C210021008  | SINGLE-WALL H.S.T: Ø8.0 WHITE           | 0.06 | m    |
| ②    | P01BC00509  | 2X6AWG+8AWG+6X22AWG BLACK OD19.4        | AR   | m    |
| ①    | HVCON1MA80A | NACS 80A VEHICLE CONNECTOR 2XNTC NO UHF | 1    | EA   |
| ITEM | P/N         | DESCRIPTION                             | QTY  | UNIT |

|       |                     |              |
|-------|---------------------|--------------|
| SIZE  | DWG NO.             | REV          |
| A3    | C-HVCON1MA80ANLXXXX | 2            |
| SCALE | NA                  | SHEET 2 OF 2 |

C-HVCON1MA80ANLXXXX

C-HVCON1MA80ANLXXXX