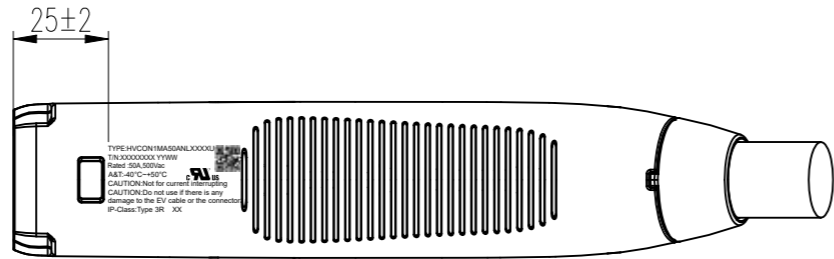
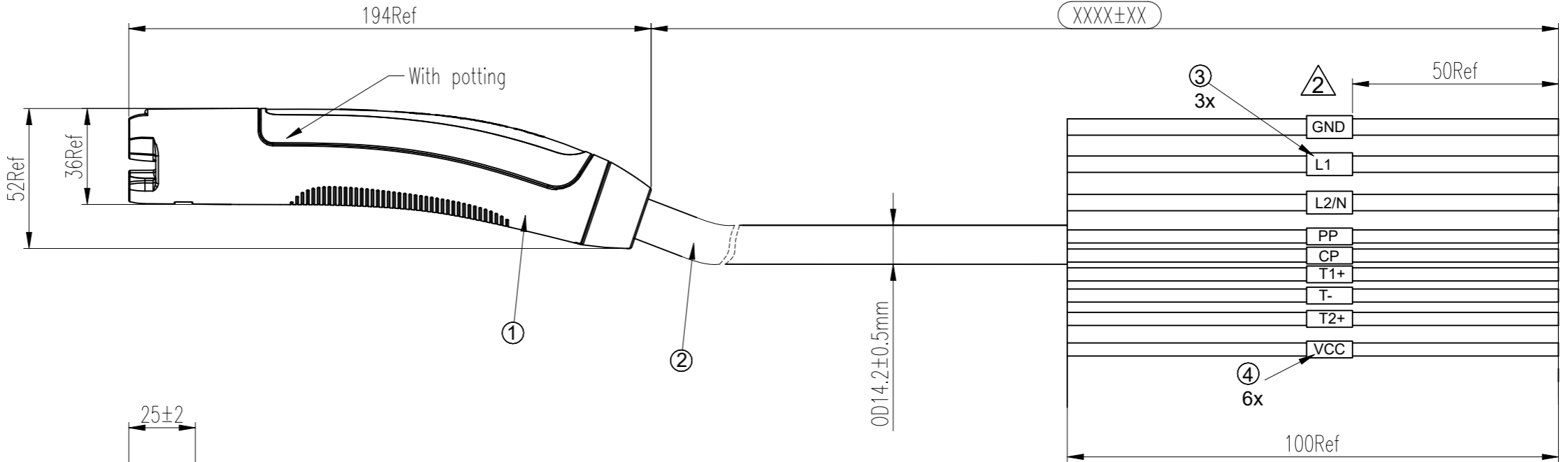
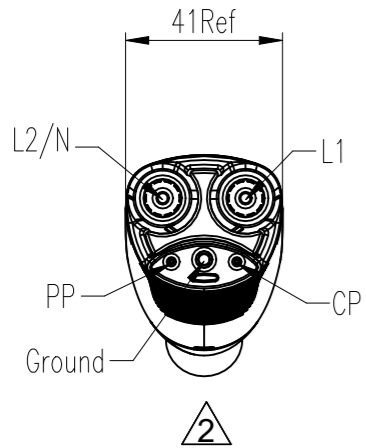
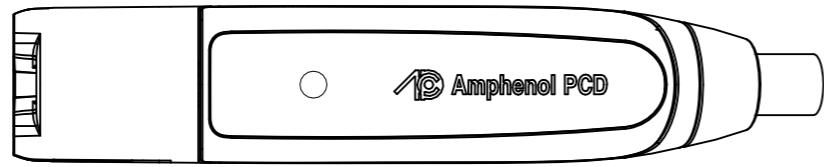
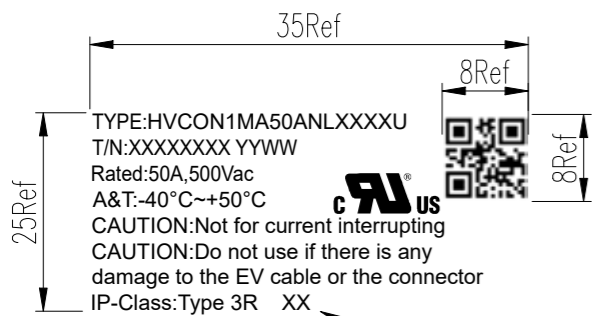


REV	ECN	DESCRIPTION	DATE	MODIFIED
1		RELEASE	Oct-23-2023	
2	R8158W	CHANGE 1000V TO 500V & 3S TO 3R	Jun-03-2024	

Amphenol PCD  
ORIGINAL  
PDF Format  
R&D



LASER MARKING



QR code,  
Content including: Part number  
#Work order number  
# Serial number ex:0001  
(ex:HVCON1MA50ANLXXXXU#XXXXXX#0001)

2  
CN:Made in China  
MX:Made in Mexico  
US:Made in US

T/N:XXXXXXXXYYWW  
Work order number + batch number+year+Week  
Font: Arial

DIMENSIONS	TOLERANCES	PROJECTION	TITLE		
ANSI Y14.5M UNITS: MM CAD FILE	.X ± 0.50 .XX ± 0.05 ANGLES ± 2°		NACS AC 50A VEHICLE CONNECTOR WITH UHF CABLE ASSEMBLY		
ORIGINAL	THIS DOCUMENT CONTAINS PROPRIETARY INFORMATION WHICH IS THE CONFIDENTIAL PROPERTY OF Amphenol PCD Shenzhen Co. Ltd Amphenol PCD Shenzhen Co. Ltd RESERVES THE RIGHT TO CLARIFY THIS DRAWING		Amphenol PCD Shenzhen		REV 2
			ENGR	Oct-23-2023	SIZE A3
			CHKD	SCALE 1:2	SHEET 1 OF 2
			APPD		

C-HVCON1MA50ANLXXXXU

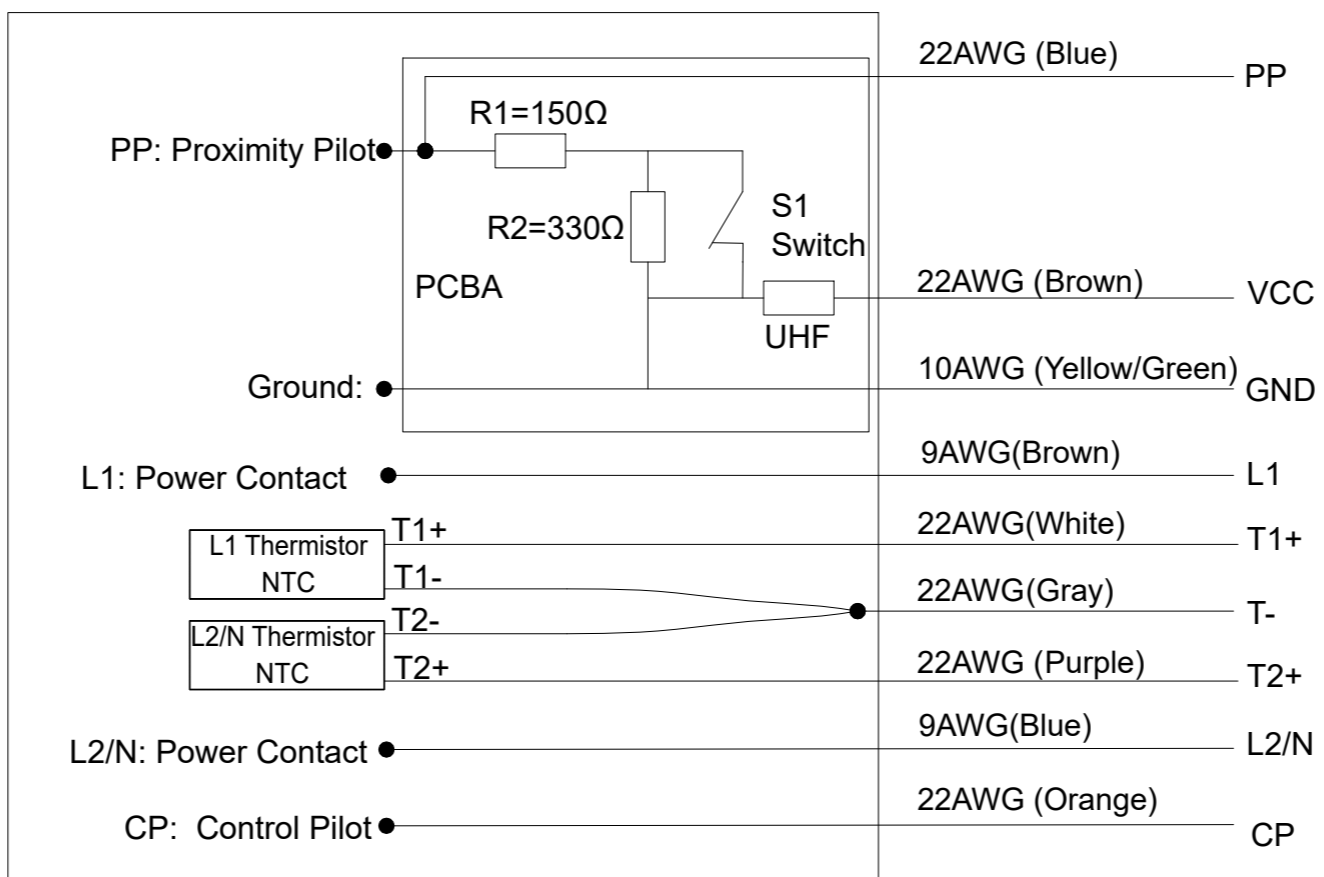
C-HVCON1MA50ANLXXXXU

AC Mode of Connection  
WITH UHF

NACS connector

Wire size and color

Label



\*Notes:

1.Cable assembly data:

✦ Rated Voltage: 500V AC(L1&L2/N),30V DC(CP&PP);

✦ Rated Current: 50A Max(L1&L2/N)

2A Max(CP&PP);

✦ Insulation Resistance: 100MΩ Min(1000V DC FOR L1&L2/N,500V DC for others)

✦ Withstand Voltage: 3000V/AC r.m.s(L1&L2/N); Others 500V/AC r.m.s

✦ IP-Class: IP67( Enclosure);Type 3R(Plugged in)

✦ RoHS Compliance

◎ Durability: ≥ 10,000 cycles

2.Ambient Temperature: -40°C ~ +50°C(+55°C max,Current reduction required, when the working temperature is beyond 90°C)

3.NACS Plug reference: C-HVCON1MXXXAXL0000X

4.Cable Minimum Bending Radius: 5 OD @Fixed installation, 9 OD@Free movement or Under mechanical load

5.Weight of Cable: app 340g/m

6.VCC:3.3-12V;<100mA;UHF:315MHZ

7.Standard:UL2251;TS-0023666;J3400

8.Cable Length Tolerance:

Total Length	Tolerance
0~1000mm	±50
1001~5000mm	±100
>5000mm	±200

④	P05B000002	SINGLE-WALL H.S.T: Ø2.5 WHITE	0.12	m
③	P05B000006	SINGLE-WALL H.S.T: Ø6.0 WHITE	0.06	m
②	P01BC00510	2X9AWG+10AWG+6X22AWG BLACK OD14.2	AR	m
①	HVCON1MA50A	NACS 50A VEHICLE CONNECTOR 2XNTC	1	EA
ITEM	P/N	DESCRIPTION	QTY	UNIT

SIZE	DWG NO.	REV
A3	C-HVCON1MA50ANLXXXXU	2
SCALE	NA	SHEET 2 OF 2