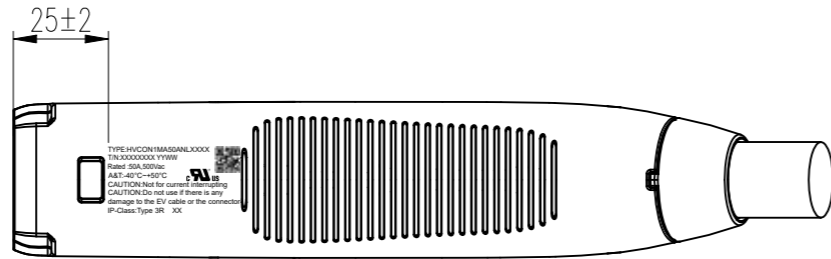
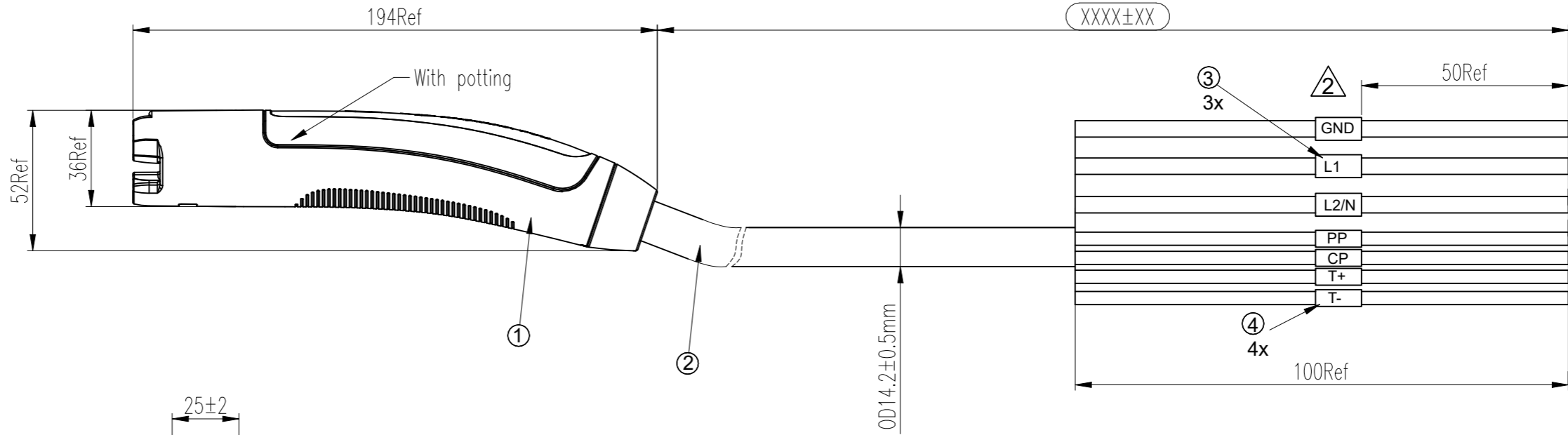
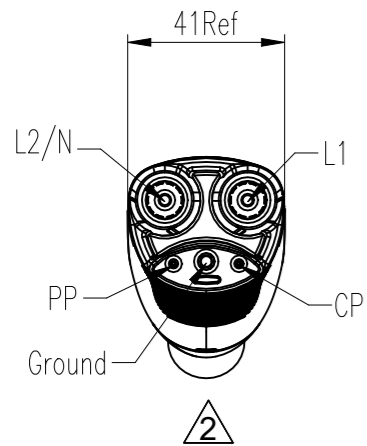
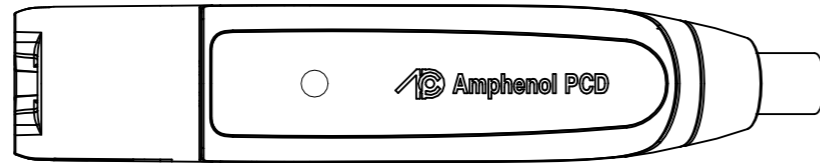
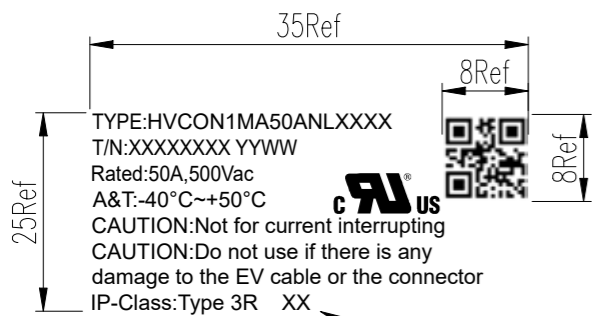


| REV | ECN | DESCRIPTION | DATE | MODIFIED |
|-----|--------|---------------------------------|-------------|----------|
| 1 | | RELEASE | Oct-23-2023 | |
| 2 | R8158W | CHANGE 1000V TO 500V & 3S TO 3R | Jun-03-2024 | |

Amphenol PCD
ORIGINAL
PDF Format
R&D



LASER MARKING



QR code,
Content including:Part number
#Work order number
Serial number ex:0001
(ex:HVCON1MA50ANLXXXX#XXXXXX#0001)

CN:Made in China
MX:Made in Mexico
US:Made in US

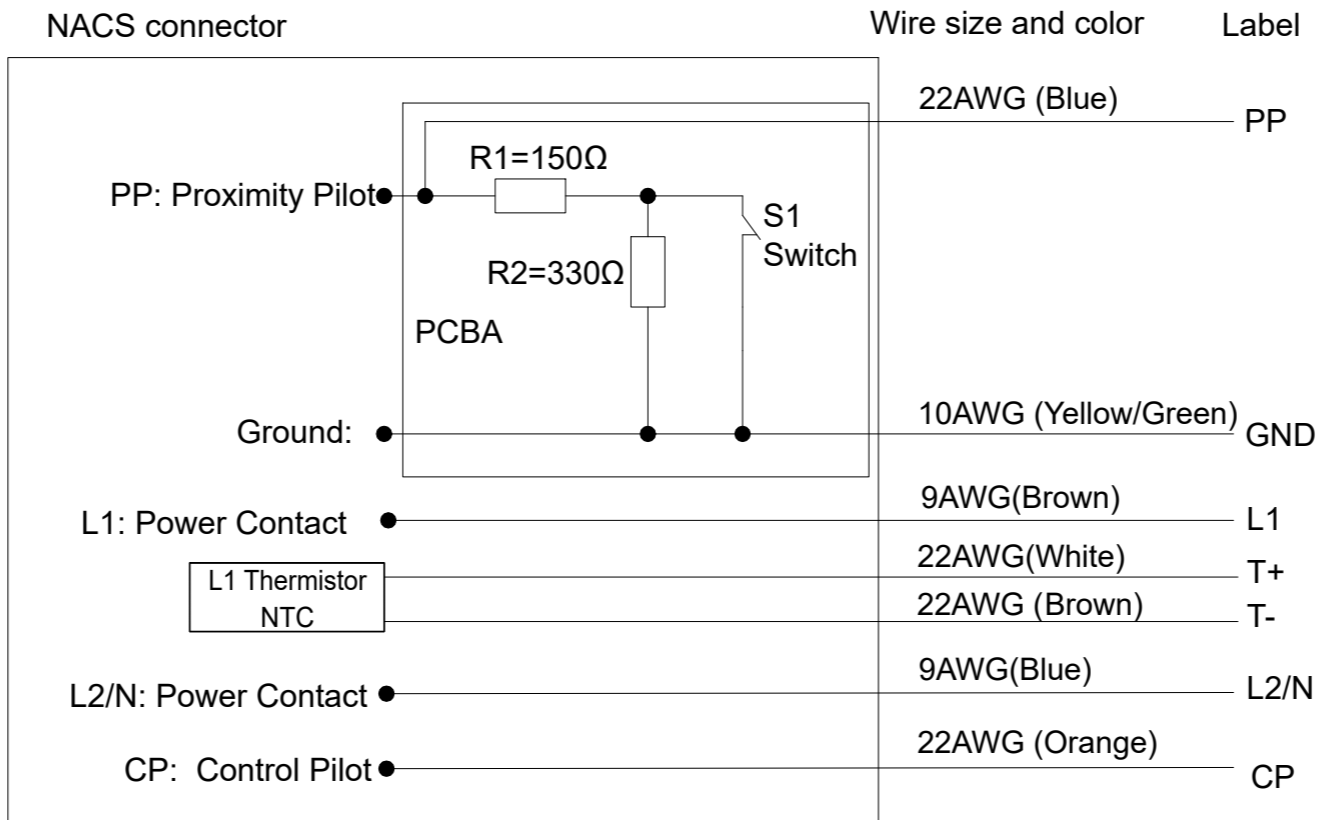
T/N:XXXXXXXXYYWW
Work order number + batch number+year+Week
Font: Arial

| DIMENSIONS | TOLERANCES | PROJECTION | TITLE | | |
|--------------------------------------|--|--------------|---|-----------------------------|-----------|
| ANSI Y14.5M UNITS: MM CAD FILE | .X ± 0.50 .XX ± 0.05 ANGLES ± 2° | | NACS AC 50A VEHICLE CONNECTOR WITHOUT UHF CABLE ASSEMBLY | | |
| ORIGINAL | THIS DOCUMENT CONTAINS PROPRIETARY INFORMATION WHICH IS THE CONFIDENTIAL PROGroundRTY OF Amphenol PCD Shenzhen Co. Ltd Amphenol PCD Shenzhen Co. Ltd RESERVES THE RIGHT TO CLARIFY THIS DRAWING | ENGR | Amphenol PCD Shenzhen | Oct-23-2023 | REV 2 |
| | | CHKD APPD | SIZE A3 | DWG NO. C-HVCON1MA50ANLXXXX | SCALE 1:2 |

C-HVCON1MA50ANLXXXX

C-HVCON1MA50ANLXXXX

AC Mode of Connection
WITHOUT UHF



*Notes:

- Cable assembly data:
 - ✦ Rated Voltage: 500V AC(L1&L2/N),30V DC(CP&PP);
 - ✦ Rated Current: 50A Max(L1&L2/N)
2A Max(CP&PP);
 - ✦ Insulation Resistance: 100MΩ Min(1000V DC FOR L1&L2/N,500V DC for others)
 - ✦ Withstand Voltage: 3000V/AC r.m.s(L1&L2/N); Others 500V/AC r.m.s
 - ✦ IP-Class: IP67(Enclosure);Type 3R(Plugged in)
 - ✦ RoHS Compliance
 - © Durability: ≥ 10,000 cycles
- Ambient Temperature: -40°C ~ +50°C(+55°C max,Current reduction required, when the working temperature is beyond 90°C)
- NACS Plug reference: C-HVCON1MXXXAXL0000X
- Cable Minimum Bending Radius: 5 OD @Fixed installation, 9 OD@Free movement or Under mechanical load
- Weight of Cable: app 340g/m
- Standard:UL2251;TS-0023666;J3400
- Cable Length Tolerance:

| Total Length | Tolerance |
|--------------|-----------|
| 0~1000mm | ±50 |
| 1001~5000mm | ±100 |
| >5000mm | ±200 |

| ④ | P05B000002 | SINGLE-WALL H.S.T: Ø2.5 WHITE | 0.08 | m |
|------|-------------|---|------|------|
| ③ | P05B000006 | SINGLE-WALL H.S.T: Ø6.0 WHITE | 0.06 | m |
| ② | P01BC00510 | 2X9AWG+10AWG+6X22AWG BLACK OD14.2 | AR | m |
| ① | HVCON1MA50A | NACS 50A VEHICLE CONNECTOR 1XNTC NO UHF | 1 | EA |
| ITEM | P/N | DESCRIPTION | QTY | UNIT |

| | | |
|-------|---------------------|--------------|
| SIZE | DWG NO. | REV |
| A3 | C-HVCON1MA50ANLXXXX | 2 |
| SCALE | NA | SHEET 2 OF 2 |

C-HVCON1MA50ANLXXXX

C-HVCON1MA50ANLXXXX