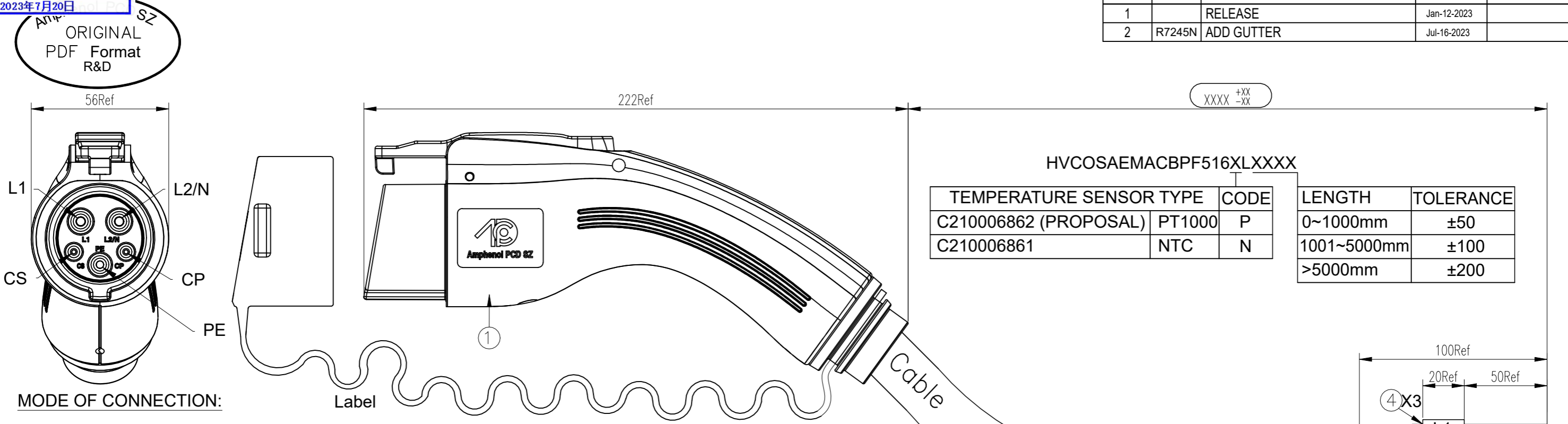


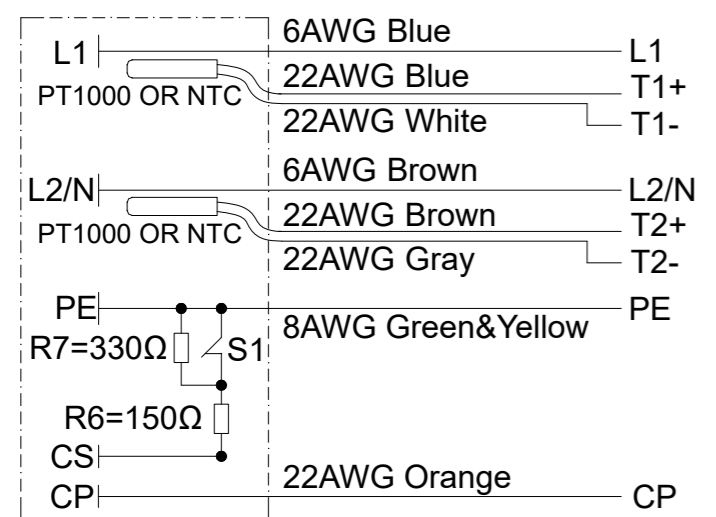
REV	ECN	DESCRIPTION	DATE	MODIFIED
1		RELEASE	Jan-12-2023	
2	R7245N	ADD GUTTER	Jul-16-2023	



XXXX +XX
-XX

TEMPERATURE SENSOR TYPE			CODE	LENGTH	TOLERANCE
C210006862 (PROPOSAL)	PT1000	P		0~1000mm	±50
C210006861	NTC	N		1001~5000mm	±100
				>5000mm	±200

MODE OF CONNECTION:



35Ref

LASER MARKING

8Ref

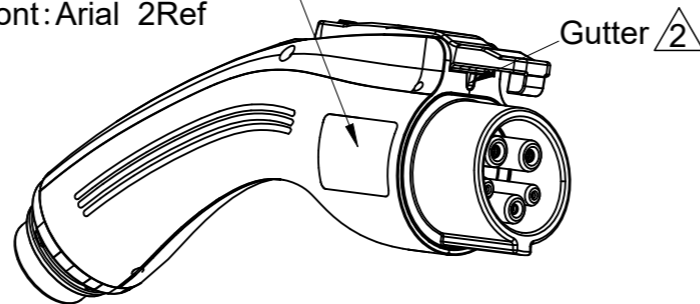
8Ref

25Ref

TYPE:HVCOSAEMACBPF516XLXXXX
T/N:XXXXXXXXYYWW
Voltage/Current :240V AC./80A
Type 3S
A&T:-40°C~+50°C
CAUTION:Not for current interrupting
CAUTION:Do not use if there is any damage to the EV cable or the connector

QR code,
Content including:Part number
#Work order number
Serial number ex:0001
(ex:XXXXXXXX#XXXXXX#0001)

T/N:XXXXXXXXYYWW
Work order number + batch number+year+week
Font: Arial 2Ref



- *Notes:
- Cable assembly data:
 - Rated Voltage:240V AC(L1&L2/N&PE)
30V DC(CS&CP)
 - Rated Current:80A (L1&L2/N),2A (CS&CP)
80A,the max permissible temperature is 90°C mating with 25mm² min cable size on inlet (L1,L2/N)
 - Insulation Resistance:100MΩ Min(DC500V)
 - Withstand Voltage:2000V/AC r.m.s(L1&L2/N&PE)
500V/AC r.m.s(CS&CP)
 - IP-Class:Type 3S
 - Comply With RoHS
 - Durability: ≥ 10000 cycles
Ambient Temperature: -40°C ~ +50°C
 - SAE Connector Standard: C-HVCOAEMACBPF5XXXL0000
 - Standard: IEC 62196-2 , SAE J1772
 - Cable bending radius:≥6XOD
 - UL file number:E500464

④	P05B000019	SINGLE-WALL H.S.T: Ø10 WHITE	0.06	m
③	P05B000002	SINGLE-WALL H.S.T: Ø2.5 WHITE	0.10	m
②	P01BC00281	2C 6AWG+1C 8AWG +5C22AWG BK OD=19.4±0.5	AR	m
	P01BC00282	2C 6AWG+1C 8AWG +5C22AWG BK OD=19.4±0.5		
①	HVCOSAEMACBPF516XN0000	SAE PLUG 80A-1P BLACK	1	EA
ITEM	P/N	DESCRIPTION	QTY	UNIT

DIMENSIONS	TOLERANCES	PROJECTION	TITLE		
ANSI Y14.5M UNITS: MM CAD FILE	X ±0.5 .XX ±0.05 ANGLES ±2.0°		Amphenol PCD Shenzhen		
ORIGINAL	THIS DOCUMENT CONTAINS PROPRIETARY INFORMATION WHICH IS THE CONFIDENTIAL PROPERTY OF AMPHENOL PCD SHENZHEN AMPHENOL PCD SHENZHEN RESERVES THE RIGHT TO CLARIFY THIS DRAWING	ENGR	SAE EV CONNECTOR 80A 1-PHASE FOR VEHICLE		
		CHKD	SIZE	DWG NO.	REV
		APPD	A3	C-HVCOAEMACBPF516XLXXXX	2
			SCALE	SHEET	1 OF 1