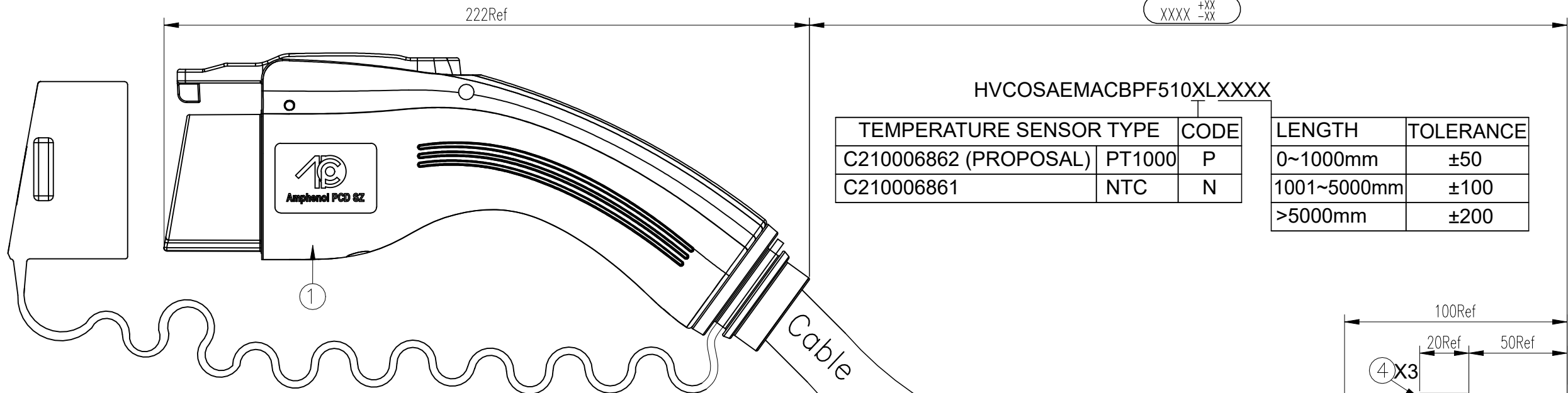
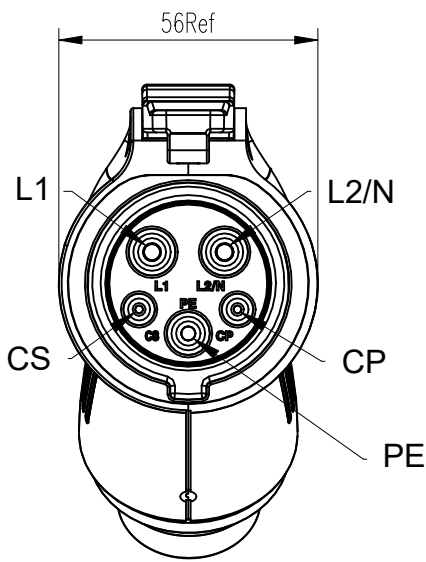


REV	ECN	DESCRIPTION	DATE	MODIFIED
1		RELEASE	Jan-12-2023	
2	R7245N	ADD GUTTER	Jul-16-2023	

Amphenol PCD SZ  
ORIGINAL  
PDF Format  
R&D

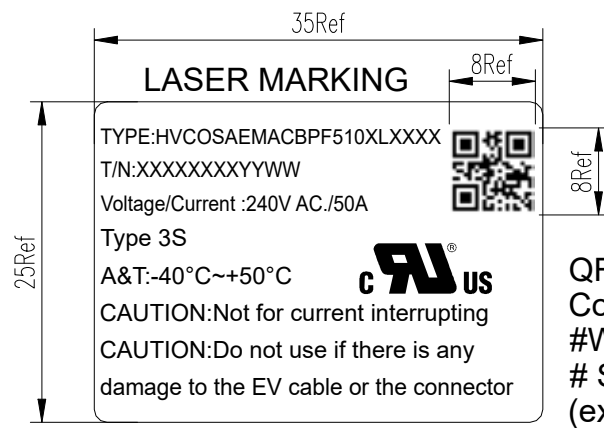
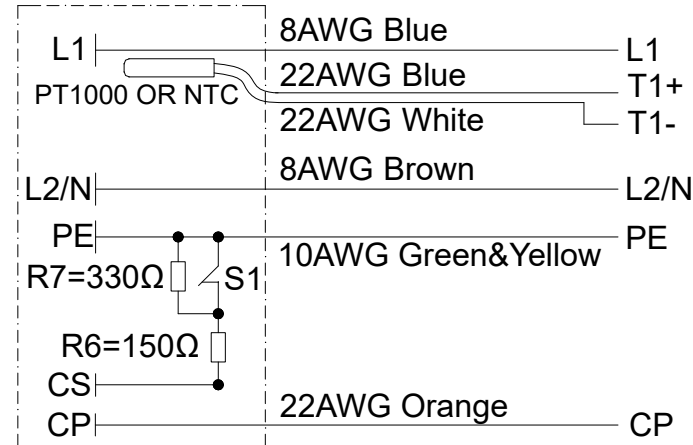


TEMPERATURE SENSOR TYPE	CODE
C210006862 (PROPOSAL)	PT1000 P
C210006861	NTC N

LENGTH	TOLERANCE
0~1000mm	±50
1001~5000mm	±100
>5000mm	±200

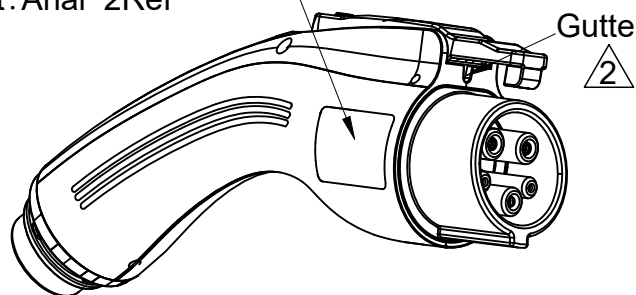
HVCOAEMACBPF510XLXXXX

MODE OF CONNECTION:



QR code,  
Content including:Part number  
#Work order number  
# Serial number ex:0001  
(ex:XXXXXXXX#XXXXXX#0001)

T/N:XXXXXXXXYYWW  
Work order number + batch number+year+week  
Font: Arial 2Ref



ITEM	P/N	DESCRIPTION	QTY	UNIT
④	C210021008	SINGLE-WALL H.S.T: Ø8.0 WHITE	AR	m
③	P05B000002	SINGLE-WALL H.S.T: Ø2.5WHITE	AR	m
②	P01BC00280	2C 8AWG+1C 10AWG +3C 22AWG BK OD=15.0±0.5	AR	m
	P01BC00279	2C 8AWG+1C 10AWG +3C 22AWG BK OD=15.0±0.5		
①	HVCOAEMACBPF510XN0000	SAE PLUG 50A-1P BLACK	1	EA

- \*Notes:
- Cable assembly data:  
 ✦ Rated Voltage:240V AC(L1&L2/N&PE),  
 30V DC(CS&CP)  
 ✦ Rated Current:50A (L1&L2/N),2A (CS&CP)  
 ✦ Insulation Resistance:100MΩ Min(DC500V);  
 ✦ Withstand Voltage:2000V/AC r.m.s.;  
 ✦ IP-Class:Type 3S  
 ✦ Comply With RoHS  
 © Durability: ≥ 10000 cycles  
 Ambient Temperature: -40°C ~ +50°C
  - SAE Connector Standard: C-HVCOAEMACBPFXXXXL0000
  - Standard: IEC 62196-2 , SAE J1772
  - Cable bending radius:≥6XOD
  - UL file number:E500464

DIMENSIONS	TOLERANCES	PROJECTION	TITLE		
ANSI Y14.5M UNITS: MM CAD FILE	X ±0.5 XX ±0.05 ANGLES ±2.0°		Amphenol PCD Shenzhen		
ORIGINAL	THIS DOCUMENT CONTAINS PROPRIETARY INFORMATION WHICH IS THE CONFIDENTIAL PROPERTY OF AMPHENOL PCD SHENZHEN AMPHENOL PCD SHENZHEN RESERVES THE RIGHT TO CLARIFY THIS DRAWING	ENGR	SAE EV CONNECTOR 50A 1-PHASE FOR VEHICLE		
		CHKD	SIZE	DWG NO.	REV
		APPD	A3	C-HVCOAEMACBPF510XLXXXX	2
			SCALE	SHEET	1 OF 1