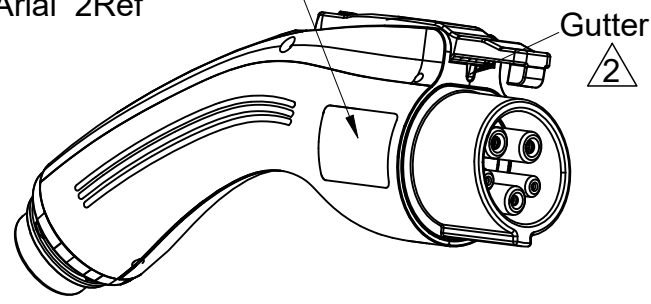
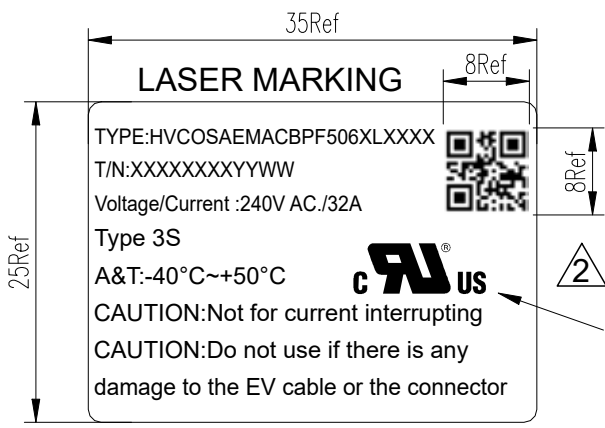
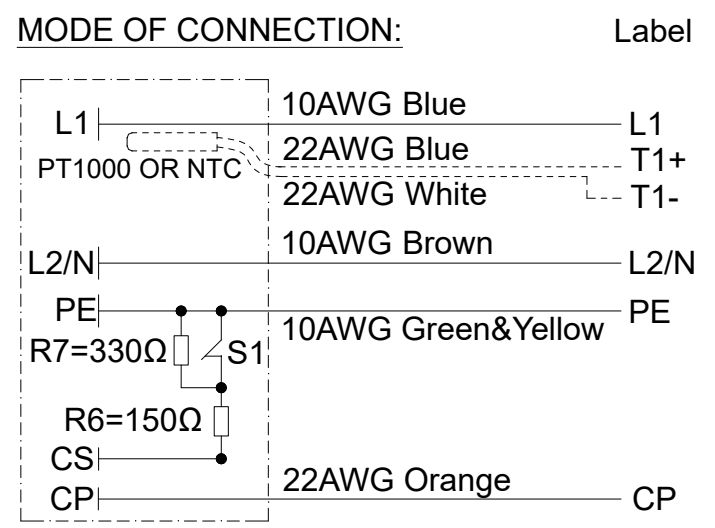
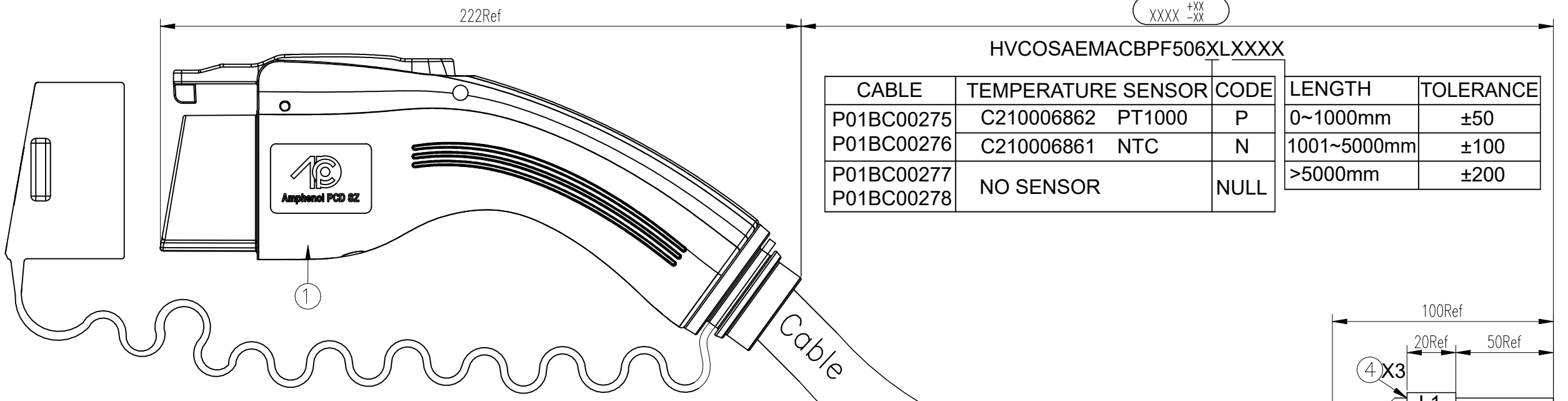
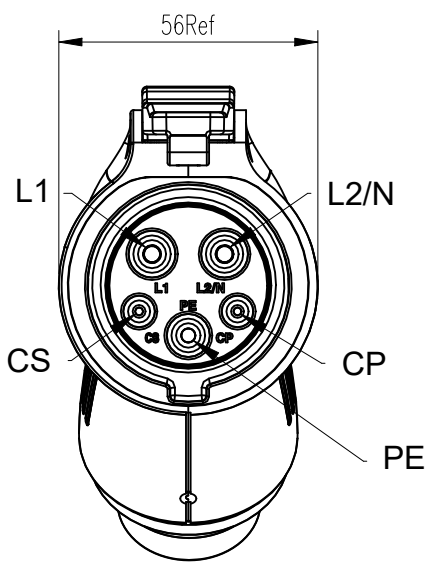


REV	ECN	DESCRIPTION	DATE	MODIFIED
1		RELEASE	Jan-12-2023	
2	C7582N	-30 TO -40	Jan-24-2023	

ORIGINAL PDF Format R&D



- *Notes:**
- Cable assembly data:
 ⚡ Rated Voltage:240V AC(L1&L2/N&PE), 30V DC(CS&CP)
 ⚡ Rated Current:32A (L1&L2/N),2A (CS&CP)
 ⚡ Insulation Resistance:100MΩ Min(DC500V);
 ⚡ Withstand Voltage:2000V/AC r.m.s;
 ⚡ IP-Class:Type 3S
 ⚡ Comply With RoHS
 ☉ Durability: ≥ 10000 cycles \triangle
 Ambient Temperature: -40°C ~ +50°C
 - SAE Connector Standard: C-HVCOAEMACBPFXXXXL0000
 - Standard: IEC 62196-2 , SAE J1772
 - Cable bending radius:≥6XOD
 - UL file number:E500464

④	C210021008	SINGLE-WALL H.S.T: Ø8.0 WHITE	0.06	m
③	P05B000002	SINGLE-WALL H.S.T: Ø2.5WHITE	0.06	m
②	P01BC00275	OMG 3C 10AWG +3C 22AWG BK OD=12.0±0.5	AR	m
	P01BC00276	LEONI 3C 10AWG +3C 22AWG BK OD=12.0±0.5		
	P01BC00277	OMG 3C 10AWG +1C 22AWG BK OD=12.0±0.5		
	P01BC00278	LEONI 3C 10AWG +1C 22AWG BK OD=12.0±0.5		
①	HVCOSAEMACBPF506XN0000	SAE PLUG 50A-1P BLACK	1	EA

DIMENSIONS	TOLERANCES	PROJECTION	TITLE		
ANSI Y14.5M UNITS: MM CAD FILE	.X ±0.5 .XX ±0.05 ANGLES ±2.0°		SAE EV CONNECTOR 32A 1-PHASE FOR VEHICLE		
ORIGINAL	THIS DOCUMENT CONTAINS PROPRIETARY INFORMATION WHICH IS THE CONFIDENTIAL PROPERTY OF AMPHENOL PCD SHENZHEN AMPHENOL PCD SHENZHEN RESERVES THE RIGHT TO CLARIFY THIS DRAWING	CHKD APPD	Amphenol PCD Shenzhen ENGR Jan-12-2023	SIZE A3	DWG NO. C-HVCOAEMACBPF506XLXXXX
				SCALE	SHEET 1 OF 1