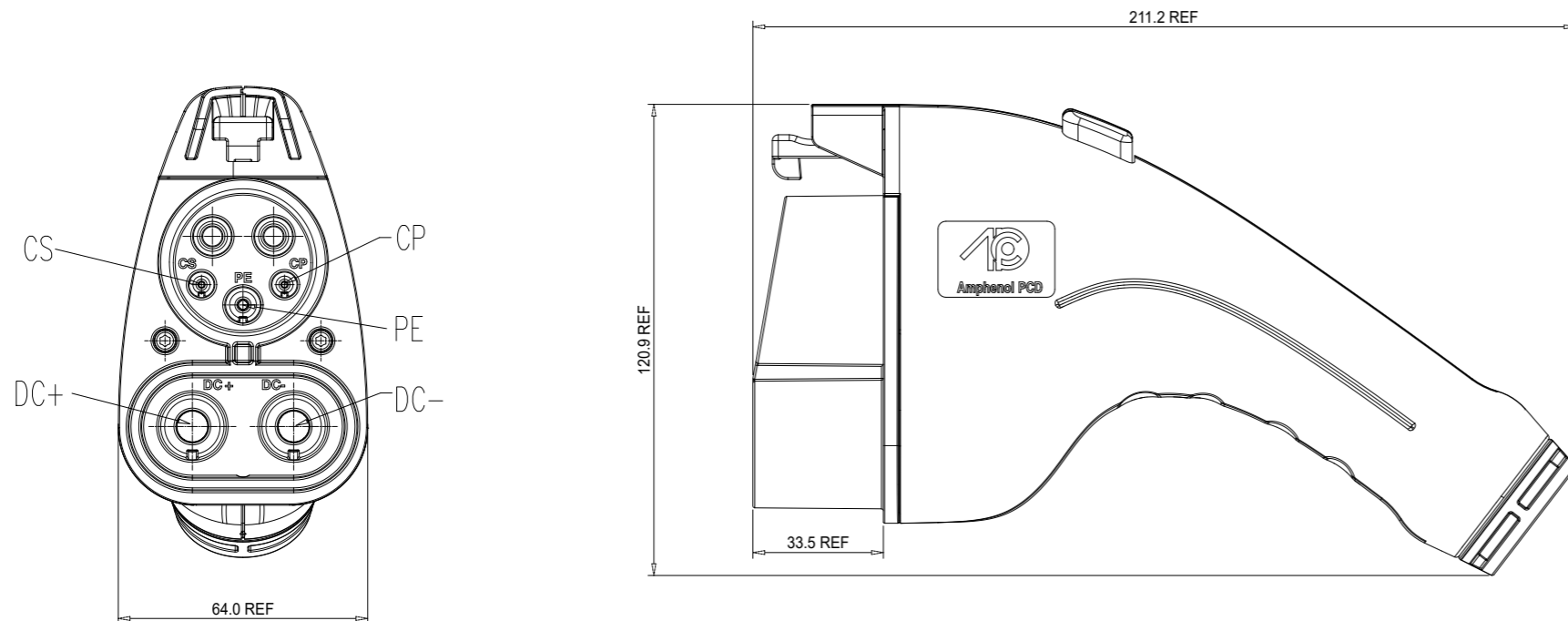


Amphenol PCD SZ
ORIGINAL
PDF Format
R&D

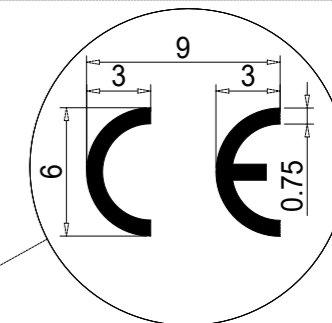
REV	ECN	DESCRIPTION	DATE	MODIFIED
1	C6644N	RELEASE	08/23/23	
2	C7526N	ADD SEAL PART NUMBER IN EXPLODED VIEW	07/03/24	



Product model/产品型号:
C-HVCOSAEMDXXAXL0000

P: Temperature Sensor:PT1000
N: Temperature Sensor:NTC
80A
65A
40A

Printing instructions:

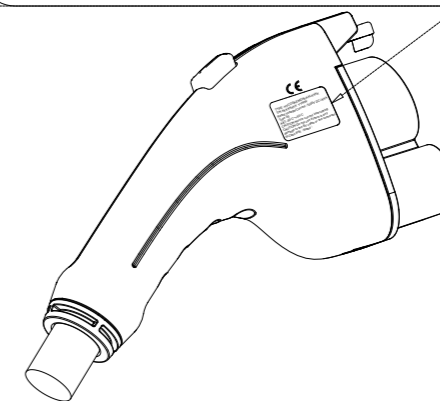


TYPE: HVCOSAEMDXXAXLXXXX
T/N:XXXXXXXX (YYWW)
Rated Voltage/Current : 1000V DC / XXXA
Type 3S
A&T: -30°C~+50°C
CAUTION: Not for current interrupting
CAUTION: Do not use if there is any damage to the EV cable or the connector
IP-Class: IP55 (Mated)

TEMPERATURE SENSOR (P/ N)

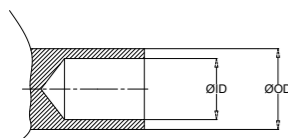
ELECTRIC CURRENT 80A/65A/40A

YYWW (YEAR WEEK)



HVCOSAEMD80ANL0000/HVCOSAEMD80APL0000 (Remark: "N"=NTC, "P"=PT1000)

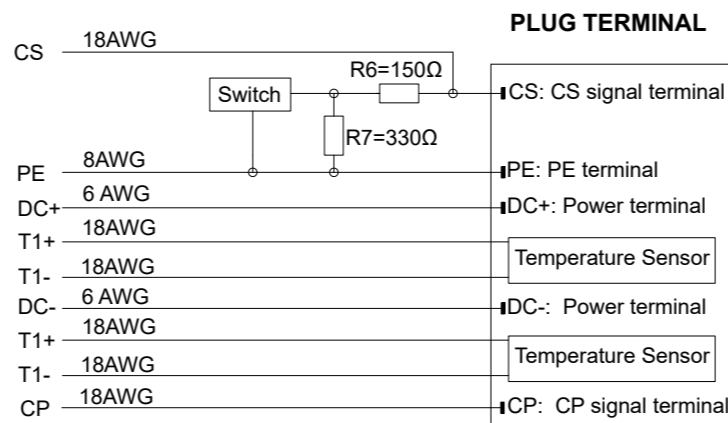
Terminal crimp hole size
(See Table 1):



	ID(±0.1)	OD(±0.1)
DC TERMINAL	5.8	8.5
PE TERMINAL	4.8	6.8
CS TERMINAL	2.3	3.9
CP TERMINAL	1.75	3.0

Table 1

Terminal and cable definition:



Technical Data:		
Rated Current:	CS/CP:2A	+
	DC+/DC-:80A @50°C	+
Rated Voltage:	CS/CP:30V	+
	DC+/DC-:1000V DC @50°C	+
Withstanding Voltage:	CS/CP:500V AC	+
	DC+/DC-:3000V AC	+
Insulation Resistance:	100MΩ Min	+
Contact Resistance:	0.35 Milliohms Max	+
Durability:	10000 Cycles	○
IP-Class:	Type 3S(Mated)	○
Ambient Temperature:	-30°C~+50°C	
Cable outer diameter	23.8±0.2mm	
Housing material:	PC(Black)	
Type of sensor:	PT1000/NTC	
Contact material :	Copper alloy.Silver plating	
DESCRIPTION	PARAMETER	SYMBOL

DIMENSIONS	TOLERANCES	PROJECTION	Amphenol PCD Shenzhen	
ANSI Y14.5M	X ±0.5		ENGR	
UNITS: MM	.XX ±0.30			
CAD FILE	ANGLES ±2°			03/02/23
ORIGINAL	THIS DOCUMENT CONTAINS PROPRIETARY INFORMATION WHICH IS THE CONFIDENTIAL PROPERTY OF Amphenol PCD Shenzhen Co. Ltd Amphenol PCD Shenzhen Co. Ltd RESERVES THE RIGHT TO CLARIFY THIS DRAWING		CHKD	
			APPD	

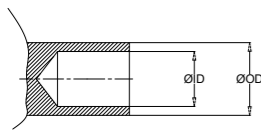
TITLE				
SAE Combo Plug				
SIZE	DWG NO.	REV		
A3	C-HVCOSAEMDXXAXL0000	2		
SCALE		SHEET		
1:1		1 OF 3		

C-HVCOSAEMDXXAXL0000

C-HVCOSAEMDXXAXL0000

HVCOSAEMD65ANL0000/HVCOSAEMD65APL0000(Remark:"N"=NTC,"P"=PT1000)

Terminal crimp hole size
(See Table 1):



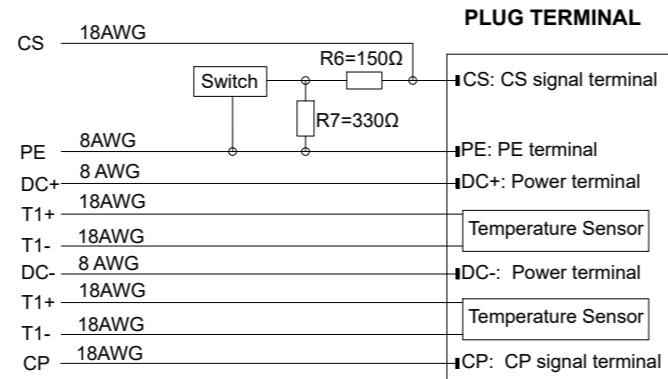
	ID(±0.1)	OD(±0.1)
DC TERMINAL	4.8	6.8
PE TERMINAL	4.8	6.8
CS TERMINAL	2.3	3.9
CP TERMINAL	1.75	3.0

Table 1

Technical Data:

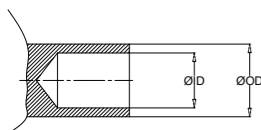
Rated Current:	CS/CP:2A	+
	DC+/DC-:65A @50°C	+
Rated Voltage:	CS/CP:30V	+
	DC+/DC-:1000V DC @50°C	+
Withstanding Voltage:	CS/CP:500V AC	+
	DC+/DC-:3000V AC	+
Insulation Resistance:	100MΩ Min	+
Contact Resistance:	0.35 Milliohms Max	+
Durability:	10000 Cycles	○
IP-Class:	Type 3S(Mated)	○
Ambient Temperature:	-30°C~+50°C	
Cable outer diameter	23.8±0.2mm	
Housing material:	PC(Black)	
Type of sensor:	PT1000/NTC	
Contact material :	Copper alloy.Silver plating	
DESCRIPTION	PARAMETER	SYMBOL

Terminal and cable definition:



HVCOSAEMD40ANL0000/HVCOSAEMD40APL0000(Remark:"N"=NTC,"P"=PT1000)

Terminal crimp hole size
(See Table 1):



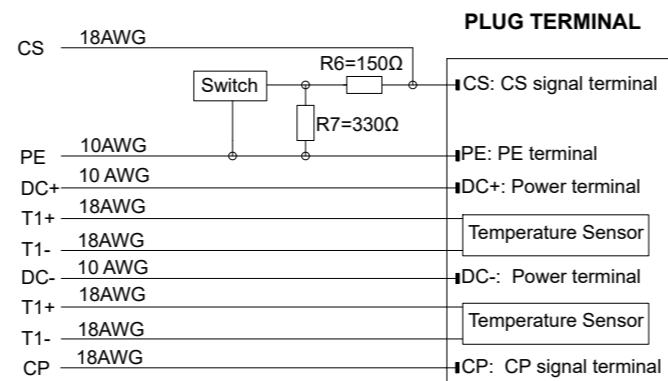
	ID(±0.1)	OD(±0.1)
DC TERMINAL	3.5	5.5
PE TERMINAL	3.5	5.5
CS TERMINAL	2.3	3.9
CP TERMINAL	1.75	3.0

Table 1

Technical Data:

Rated Current:	CS/CP:2A	+
	DC+/DC-:40A @50°C	+
Rated Voltage:	CS/CP:30V	+
	DC+/DC-:1000V DC @50°C	+
Withstanding Voltage:	CS/CP:500V AC	+
	DC+/DC-:3000V AC	+
Insulation Resistance:	100MΩ Min	+
Contact Resistance:	0.35 Milliohms Max	+
Durability:	10000 Cycles	○
IP-Class:	Type 3S(Mated)	○
Ambient Temperature:	-30°C~+50°C	
Cable outer diameter	19.5±0.2mm	
Housing material:	PC(Black)	
Type of sensor:	PT1000/NTC	
Contact material :	Copper alloy.Silver plating	
DESCRIPTION	PARAMETER	SYMBOL

Terminal and cable definition:



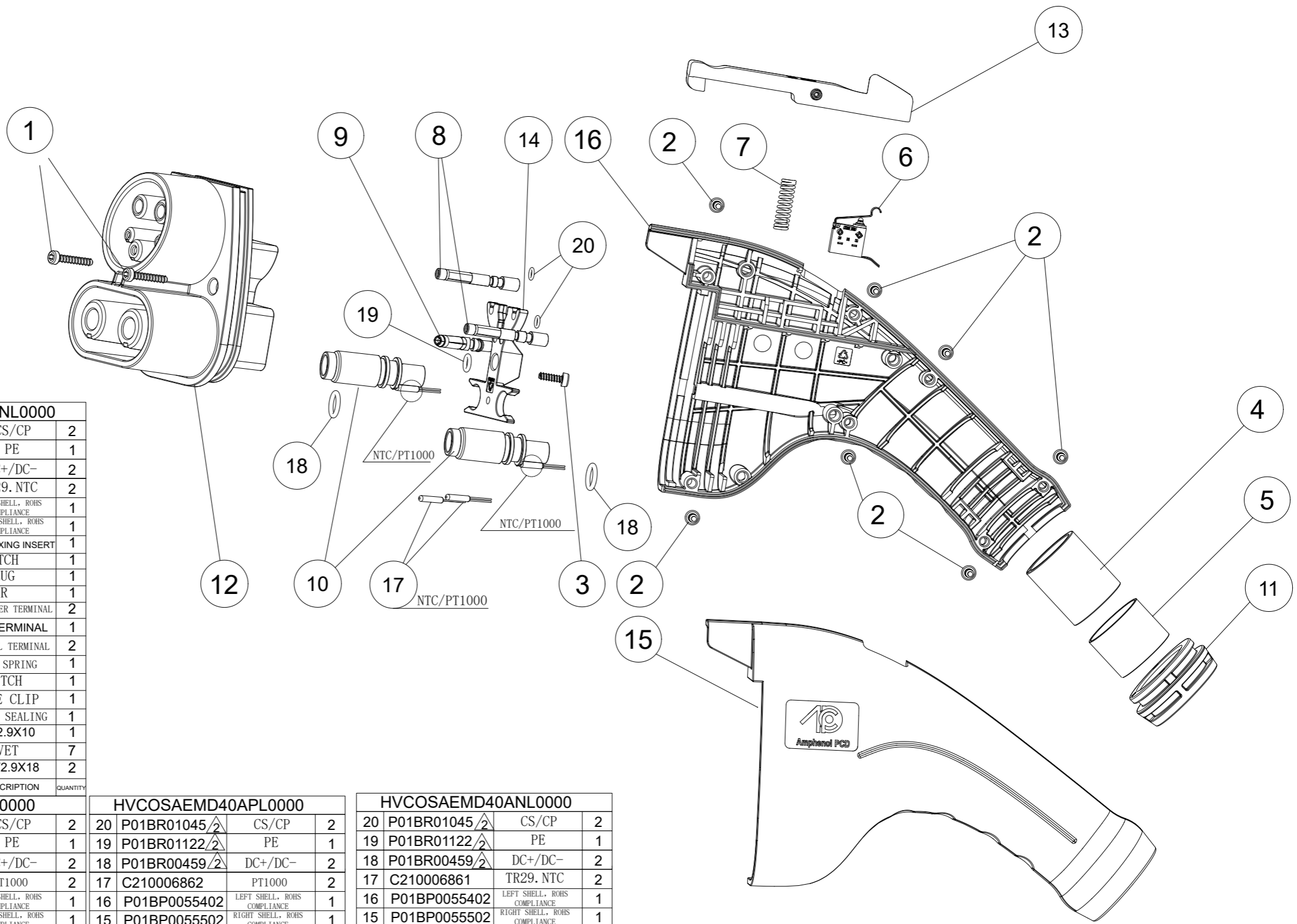
SIZE	DWG NO.	REV
A3	C-HVCOSAEMDXXAXL0000	2
SCALE 1:1		SHEET 2 OF 3

C-HVCOSAEMDXXAXL0000

C-HVCOSAEMDXXAXL0000

HVCOSAEMDXXAXL0000

C-HVCOSAEMDXXAXL0000



HVCOSAEMD80ANL0000				HVCOSAEMD65ANL0000			
NO	P/N	DESCRIPTION	QUANTITY	NO	P/N	DESCRIPTION	QUANTITY
20	P01BR01045	CS/CP	2	20	P01BR01045	CS/CP	2
19	P01BR01122	PE	1	19	P01BR01122	PE	1
18	P01BR00459	DC+/DC-	2	18	P01BR00459	DC+/DC-	2
17	C210006861	TR29. NTC	2	17	C210006861	TR29. NTC	2
16	P01BP0055401	LEFT SHELL, ROHS COMPLIANCE	1	16	P01BP0055401	LEFT SHELL, ROHS COMPLIANCE	1
15	P01BP0055501	RIGHT SHELL, ROHS COMPLIANCE	1	15	P01BP0055501	RIGHT SHELL, ROHS COMPLIANCE	1
14	P01BP00557	DC FIXING INSERT	1	14	P01BP00557	DC FIXING INSERT	1
13	P01BP00558	LATCH	1	13	P01BP00558	LATCH	1
12	P01BP00559	PLUG	1	12	P01BP00559	PLUG	1
11	P01BP0056601	SR	1	11	P01BP0056601	SR	1
10	P01BM0110601	DCPOWER TERMINAL	2	10	P01BM0110601	DCPOWER TERMINAL	2
9	P01BM0110701	PE TERMINAL	1	9	P01BM0110701	PE TERMINAL	1
8	P01BM0110801	SIGNAL TERMINAL	2	8	P01BM0110801	SIGNAL TERMINAL	2
7	P01BN01068	HOOK SPRING	1	7	P01BN01068	HOOK SPRING	1
6	P01BN00946	SWITCH	1	6	P01BN00946	SWITCH	1
5	P01BM0114201	WIRE CLIP	1	5	P01BM0114201	WIRE CLIP	1
4	P01BR0043201	WIRE SEALING	1	4	P01BR0043202	WIRE SEALING	1
3	C210006302	ST2.9X10	1	3	C210006302	ST2.9X10	1
2	P01BN00763	RIVET	7	2	P01BN00763	RIVET	7
1	C210006300-N	ST2.9X18	2	1	C210006300-N	ST2.9X18	2

HVCOSAEMD80APL0000				HVCOSAEMD65APL0000				HVCOSAEMD40APL0000				HVCOSAEMD40ANL0000			
NO	P/N	DESCRIPTION	QUANTITY	NO	P/N	DESCRIPTION	QUANTITY	NO	P/N	DESCRIPTION	QUANTITY	NO	P/N	DESCRIPTION	QUANTITY
20	P01BR01045	CS/CP	2	20	P01BR01045	CS/CP	2	20	P01BR01045	CS/CP	2	20	P01BR01045	CS/CP	2
19	P01BR01122	PE	1	19	P01BR01122	PE	1	19	P01BR01122	PE	1	19	P01BR01122	PE	1
18	P01BR00459	DC+/DC-	2	18	P01BR00459	DC+/DC-	2	18	P01BR00459	DC+/DC-	2	18	P01BR00459	DC+/DC-	2
17	C210006862	PT1000	2	17	C210006862	PT1000	2	17	C210006862	PT1000	2	17	C210006861	TR29. NTC	2
16	P01BP0055401	LEFT SHELL, ROHS COMPLIANCE	1	16	P01BP0055401	LEFT SHELL, ROHS COMPLIANCE	1	16	P01BP0055402	LEFT SHELL, ROHS COMPLIANCE	1	16	P01BP0055402	LEFT SHELL, ROHS COMPLIANCE	1
15	P01BP0055501	RIGHT SHELL, ROHS COMPLIANCE	1	15	P01BP0055501	RIGHT SHELL, ROHS COMPLIANCE	1	15	P01BP0055502	RIGHT SHELL, ROHS COMPLIANCE	1	15	P01BP0055502	RIGHT SHELL, ROHS COMPLIANCE	1
14	P01BP00557	DC FIXING INSERT	1	14	P01BP00557	DC FIXING INSERT	1	14	P01BP00557	DC FIXING INSERT	1	14	P01BP00557	DC FIXING INSERT	1
13	P01BP00558	LATCH	1	13	P01BP00558	LATCH	1	13	P01BP00558	LATCH	1	13	P01BP00558	LATCH	1
12	P01BP00559	PLUG	1	12	P01BP00559	PLUG	1	12	P01BP00559	PLUG	1	12	P01BP00559	PLUG	1
11	P01BP0056601	SR	1	11	P01BP0056601	SR	1	11	P01BP0056602	SR	1	11	P01BP0056602	SR	1
10	P01BM0110601	DCPOWER TERMINAL	2	10	P01BM0110602	DCPOWER TERMINAL	2	10	P01BM0110603	DCPOWER TERMINAL	2	10	P01BM0110603	DCPOWER TERMINAL	2
9	P01BM0110701	PE TERMINAL	1	9	P01BM0110701	PE TERMINAL	1	9	P01BM0110702	PE TERMINAL	1	9	P01BM0110702	PE TERMINAL	1
8	P01BM0110801	SIGNAL TERMINAL	2	8	P01BM0110801	SIGNAL TERMINAL	2	8	P01BM0110801	SIGNAL TERMINAL	2	8	P01BM0110801	SIGNAL TERMINAL	2
7	P01BN01068	HOOK SPRING	1	7	P01BN01068	HOOK SPRING	1	7	P01BN01068	HOOK SPRING	1	7	P01BN01068	HOOK SPRING	1
6	P01BN00946	SWITCH	1	6	P01BN00946	SWITCH	1	6	P01BN00946	SWITCH	1	6	P01BN00946	SWITCH	1
5	P01BM0114201	WIRE CLIP	1	5	P01BM0114201	WIRE CLIP	1	5	P01BM0114202	WIRE CLIP	1	5	P01BM0114202	WIRE CLIP	1
4	P01BR0043201	WIRE SEALING	1	4	P01BR0043202	WIRE SEALING	1	4	P01BR0043203	WIRE SEALING	1	4	P01BR0043203	WIRE SEALING	1
3	C210006302	ST2.9X10	1	3	C210006302	ST2.9X10	1	3	C210006302	ST2.9X10	1	3	C210006302	ST2.9X10	1
2	P01BN00763	RIVET	7	2	P01BN00763	RIVET	6	2	P01BN00763	RIVET	7	2	P01BN00763	RIVET	7
1	C210006300-N	ST2.9X18	2	1	C210006300-N	ST2.9X18	2	1	C210006300-N	ST2.9X18	2	1	C210006300-N	ST2.9X18	2

SIZE	DWG NO.	REV
A3	C-HVCOSAEMDXXAXL0000	2
SCALE		SHEET
N/A		3 OF 3