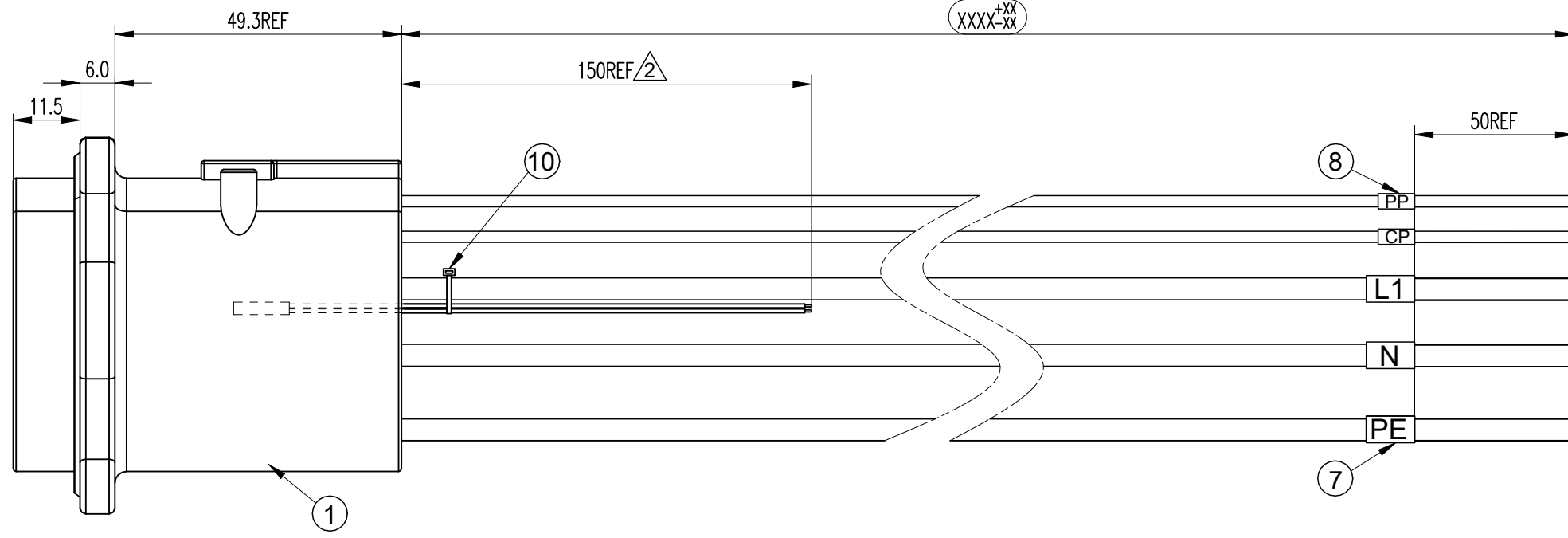
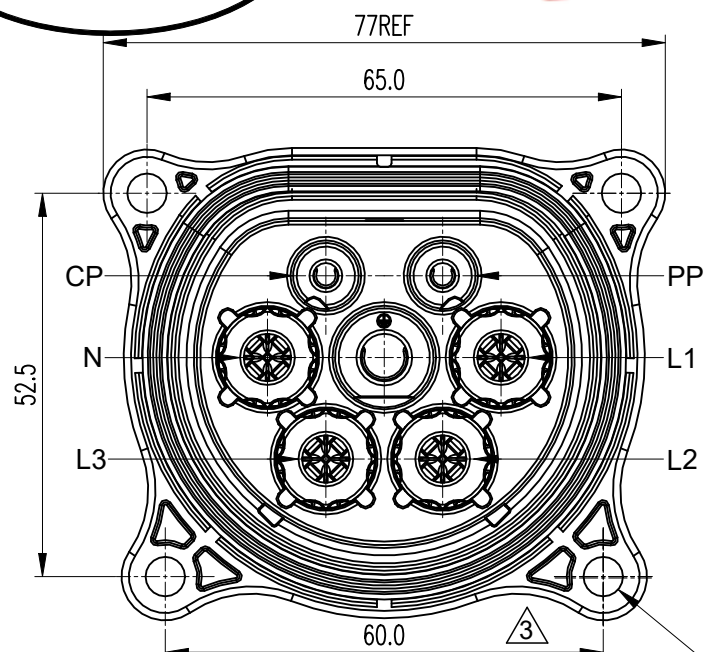


REV	ECN	DESCRIPTION	DATE	MODIFIED
1		RELEASE	Dec-03-2023	
2	R7816N	CHANGE SOCKET P/N	Mar-20-2024	
3	R8330N	UPDATE THE VIEW	Sep-18-2024	

Amphenol  
ORIGINAL  
PDF Format  
R&D

**CONFIDENTIAL**

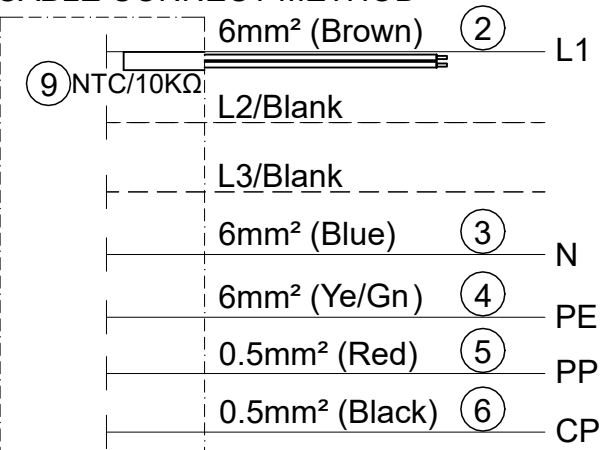


4x $\phi$ 5.4 $\pm$ 0.1  
APPLICABLE M5 SCREWS AND WASHERS  
RECOMMENDED TORQUE:2.5N.m Max

+XX  
XXXX-XX

IEC SOCKET

CABLE CONNECT METHOD



HVCOSLFS506NTL XXXX

LENGTH	TOLERANCE
0~1000mm	+25 -10
1001~5000mm	+40 -10
>5000mm	+50 -20

- \*Notes:
- Cable assembly data:
    - Rated voltage: 250V AC (L1 & N & PE); 30V DC (CP & PP);
    - Rated current: 32A (L1 & N); 2A (CP & PP);
    - IP-Class: IP2XB, IP55 (Mated), IPXXD (L1 & N)
    - Insulation resistance: 100M $\Omega$  Min / 500V DC
    - Withstand voltage: 2000V AC / L1 & N & PE  
500V AC / PP & CP
  - Durability: >10000 cycles;  
Insertion&Extraction force: <100N
  - RoHS compliance  
Ambient temperature: -30°C to +50°C
  - Reference standard: IEC 62196-2; CE, UKCA Marking
  - Installed towards down, install standard reference:  
C-P02B000637  $\triangle$
  - The cable should be fixed at 100mm max from the rear of connector
  - Cable minimum bending radius:  $\geq$ 5\*OD

ITEM	P/N	DESCRIPTION	QTY	UNIT
⑩	C210003609	CABLE TIE BLACK	1	EA
⑨	P01BN00748	NTC TR29 $\phi$ 3X12 R <sub>25</sub> = 10K $\Omega$ B <sub>25/50</sub> =3950K 24AWG BLACK	1	EA
⑧	C210006837	H.S.T: $\phi$ 3.2 WHITE NOT MARKING	0.05	m
⑦	P05B000006	H.S.T: $\phi$ 6.0 WHITE NOT MARKING	0.10	m
⑥	C210030045	0.5mm <sup>2</sup> UNSHIELDING BLACK OD=1.6 $\pm$ 0.1	AR	m
⑤	C210030046	0.5mm <sup>2</sup> UNSHIELDING RED OD=1.6 $\pm$ 0.1	AR	m
④	C210030042	6mm <sup>2</sup> UNSHIELDING YELLOW/GREEN,XLPE OD=5.1 $\pm$ 0.2	AR	m
③	P01BC00200	6mm <sup>2</sup> TINNED UNSHIELDING BLUE, XLPE OD=5.1 $\pm$ 0.2	AR	m
②	P01BC00199	6mm <sup>2</sup> TINNED UNSHIELDING BROWN,XLPE OD=5.1 $\pm$ 0.2	AR	m
①	P02B000637	IEC SOCKET OUTLET OF SHUTTER: P02B000637 BLACK	1	EA

DIMENSIONS	TOLERANCES	PROJECTION	TITLE		
ANSI Y14.5M UNITS: MM CAD FILE	.X $\pm$ 0.5 .XX $\pm$ 0.05 ANGLES $\pm$ 2.0°		IEC SOCKET OUTLET OF SHUTTER 32A 1P WITH NTC CABLE ASSEMBLY		
ORIGINAL	THIS DOCUMENT CONTAINS PROPRIETARY INFORMATION WHICH IS THE CONFIDENTIAL PROPERTY OF Amphenol PCD Shenzhen Co. Ltd Amphenol PCD Shenzhen Co. Ltd RESERVES THE RIGHT TO CLARIFY THIS DRAWING		Amphenol PCD Shenzhen ENGR Sep-18-2024	SIZE A3	DWG NO. C-HVCOSLFS506NTLXXXX
			CHKD APPD	SCALE NA	REV 3
				SHEET 1 OF 1	

C-HVCOSLFS506NTLXXXX

C-HVCOSLFS506NTLXXXX