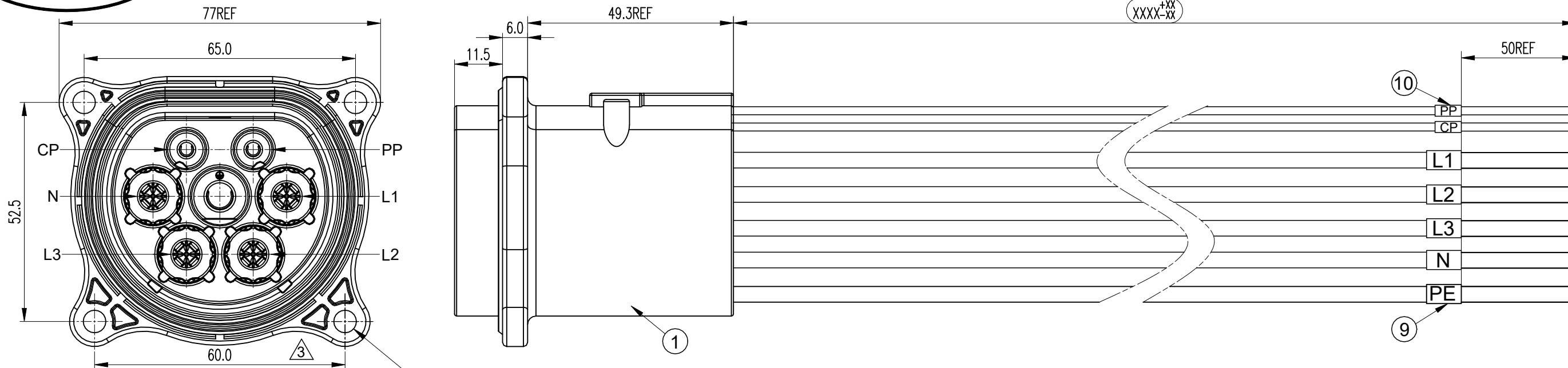


REV	ECN	DESCRIPTION	DATE	MODIFIED
1		RELEASE	Dec-03-2023	
2	R7816N	CHANGE SOCKET P/N	Mar-20-2024	
3	R8330N	UPDATE THE VIEW	Sep-18-2024	

Ampheno
ORIGINAL
PDF Format
R&D

CONFIDENTIAL



IEC SOCKET

CABLE CONNECT METHOD

6mm ² (Brown)	②	L1
6mm ² (Black)	③	L2
6mm ² (Gray)	④	L3
6mm ² (Blue)	⑤	N
6mm ² (Ye/Gn)	⑥	PE
0.5mm ² (Red)	⑦	PP
0.5mm ² (Black)	⑧	CP

HVCOSLFS706L XXXX

LENGTH	TOLERANCE
0~1000mm	+25 -10
1001~5000mm	+40 -10
>5000mm	+50 -20

*Notes:

1. Cable assembly data:

- ✦ Rated voltage: 480V AC (L1 & L2 & L3 & N & PE); 30V DC (CP & PP);
- ✦ Rated current: 32A (L1 & L2 & L3 & N); 2A (CP & PP);
- ✦ IP-Class: IP2XB, IP55 (Mated), IPXXD (L1 & L2 & L3 & N)
- ✦ Insulation resistance: 100MΩ Min / 500V DC
- ✦ Withstand voltage: 2000V AC / L1 & L2 & L3 & N & PE
500V AC / PP & CP

◎ Durability: >10000 cycles;

Insertion&Extraction force: <100N

✦ RoHS compliance

Ambient temperature: -30°C to +50°C

2. Reference standard: IEC 62196-2; CE, UKCA Marking

3. Installed towards down, install standard reference:

C-P02B000637

4. The cable should be fixed at 100mm max from the rear of connector

5. Cable minimum bending radius: ≥5*OD

⑩	C210006837	H.S.T:Ø3.2 WHITE NOT MARKING	0.05	m
⑨	P05B000006	H.S.T:Ø6.0 WHITE NOT MARKING	0.10	m
⑧	C210030045	0.5mm ² UNSHIELDING BLACK OD=1.6±0.1	AR	m
⑦	C210030046	0.5mm ² UNSHIELDING RED OD=1.6±0.1	AR	m
⑥	C210030042	6mm ² UNSHIELDING YELLOW/GREEN,XLPE OD=5.1±0.2	AR	m
⑤	P01BC00200	6mm ² TINNED UNSHIELDING BLUE, XLPE OD=5.1±0.2	AR	m
④	P01BC00201	6mm ² TINNED UNSHIELDING GRAY, XLPE OD=5.1±0.2	AR	m
③	P01BC00202	6mm ² TINNED UNSHIELDING BLACK, XLPE OD=5.1±0.2	AR	m
②	P01BC00199	6mm ² TINNED UNSHIELDING BROWN,XLPE OD=5.1±0.2	AR	m
①	P02B000637	IEC SOCKET OUTLET OF SHUTTER: P02B000637 BLACK	1	EA

DIMENSIONS	TOLERANCES	PROJECTION	TITLE		
ANSI Y14.5M UNITS: MM CAD FILE	.X ± 0.5 .XX ± 0.05 ANGLES ± 2.0°		Amphenol PCD Shenzhen		
ORIGINAL			ENGR	Sep-18-2024	
THIS DOCUMENT CONTAINS PROPRIETARY INFORMATION WHICH IS THE CONFIDENTIAL PROPERTY OF Amphenol PCD Shenzhen Co. Ltd Amphenol PCD Shenzhen Co. Ltd RESERVES THE RIGHT TO CLARIFY THIS DRAWING			CHKD	SIZE A3	DWG NO. C-HVCOSLFS706LXXXX
			APPD	SCALE NA	REV 3
			SHEET 1 OF 1		

IEC SOCKET OUTLET OF SHUTTER
32A 3P CABLE ASSEMBLY

SIZE A3 DWG NO. C-HVCOSLFS706LXXXX REV 3

SCALE NA SHEET 1 OF 1

C-HVCOSLFS706LXXXX

C-HVCOSLFS706LXXXX