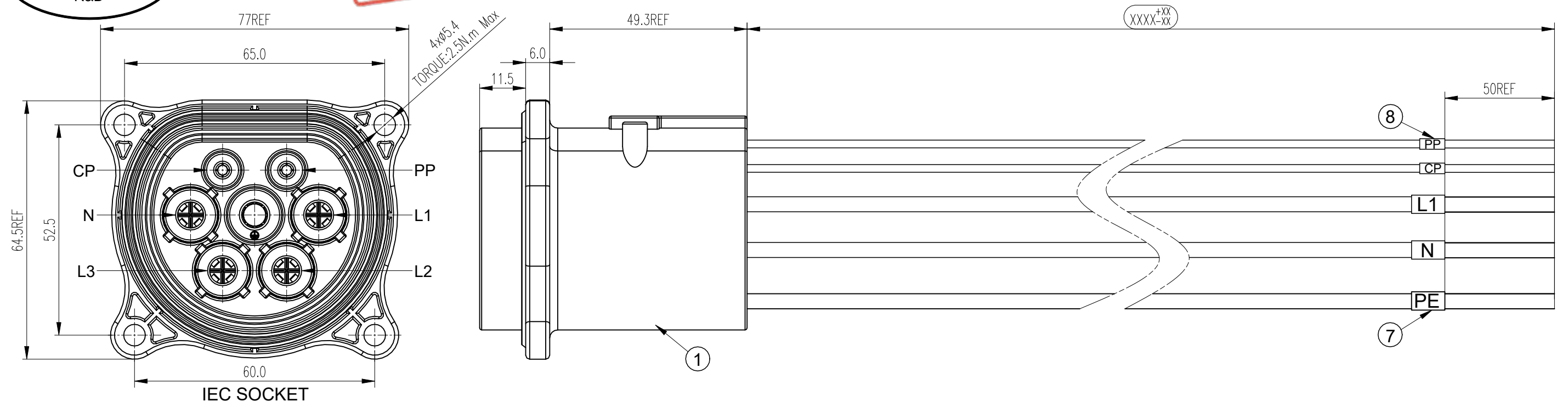


REV	ECN	DESCRIPTION	DATE	MODIFIED
1		RELEASE	Dec-03-2023	
2	R7816N	CHANGE SOCKET P/N	Mar-20-2024	

CONFIDENTIAL

PDF Format R&D



C-HVCOSLFS506LXXXX

C-HVCOSLFS506LXXXX

CABLE CONNECT METHOD

6mm ² (Brown) ②	L1
L2/Blank	
L3/Blank	
6mm ² (Blue) ③	N
6mm ² (Ye/Gn) ④	PE
0.5mm ² (Red) ⑤	PP
0.5mm ² (Black) ⑥	CP

HVCOSLFS506L XXXX

LENGTH	TOLERANCE
0~1000mm	+25 -10
1001~5000mm	+40 -10
>5000mm	+50 -20

- *Notes:**
- Cable assembly data:
 - Rated Voltage: 250V AC (L1&N&PE); 30V DC (CP&PP);
 - Rated Current: 32A (L1&N); 2A (CP&PP);
 - IP-Class: IP2X; IP55 (Mated)
 - Insulation Resistance: 100MΩ Min/500V DC
 - Withstand Voltage: 2000V r.m.s / L1&N&PE; 500V r.m.s / PP&CP
 - Durability: >10000 Cycles
 - RoHS Compliance
 - Ambient Temperature: -30°C ~ +50°C
 - Reference Standard IEC 62196-2; CE marking
 - Installed towards down, install standard reference: C-P02B000637
 - The cable should be fixed at 100mm max from the rear of connector
 - Cable Minimum Bending Radius: ≥5OD

ITEM	P/N	DESCRIPTION	QTY	UNIT
⑧	C210006837	H.S.T: Ø3.2 WHITE NOT MARKING	0.05	m
⑦	P05B000006	H.S.T: Ø6.0 WHITE NOT MARKING	0.10	m
⑥	C210030045	0.5mm ² UNSHIELDING BLACK OD=1.6±0.1	AR	m
⑤	C210030046	0.5mm ² UNSHIELDING RED OD=1.6±0.1	AR	m
④	C210030042	6mm ² UNSHIELDING YELLOW/GREEN, XLPE OD=5.1±0.2	AR	m
③	P01BC00200	6mm ² TINNED UNSHIELDING BLUE, XLPE OD=5.1±0.2	AR	m
②	P01BC00199	6mm ² TINNED UNSHIELDING BROWN, XLPE OD=5.1±0.2	AR	m
①	P02B000637	IEC SOCKET OUTLET OF SHUTTER: P02B000637 BLACK	1	EA

DIMENSIONS	TOLERANCES	PROJECTION	TITLE				
ANSI Y14.5M UNITS: MM CAD FILE	.X ± 0.5 .XX ± 0.05 ANGLES ± 2.0°		Amphenol PCD Shenzhen				
ORIGINAL	THIS DOCUMENT CONTAINS PROPRIETARY INFORMATION WHICH IS THE CONFIDENTIAL PROPERTY OF Amphenol PCD Shenzhen Co. Ltd Amphenol PCD Shenzhen Co. Ltd RESERVES THE RIGHT TO CLARIFY THIS DRAWING		IEC SOCKET OUTLET OF SHUTTER 32A 1P CABLE ASSEMBLY				
			ENGR	Dec-03-2023	SIZE A3	DWG NO. C-HVCOSLFS506LXXXX	REV 2
			CHKD		SCALE NA	SHEET 1 OF 1	