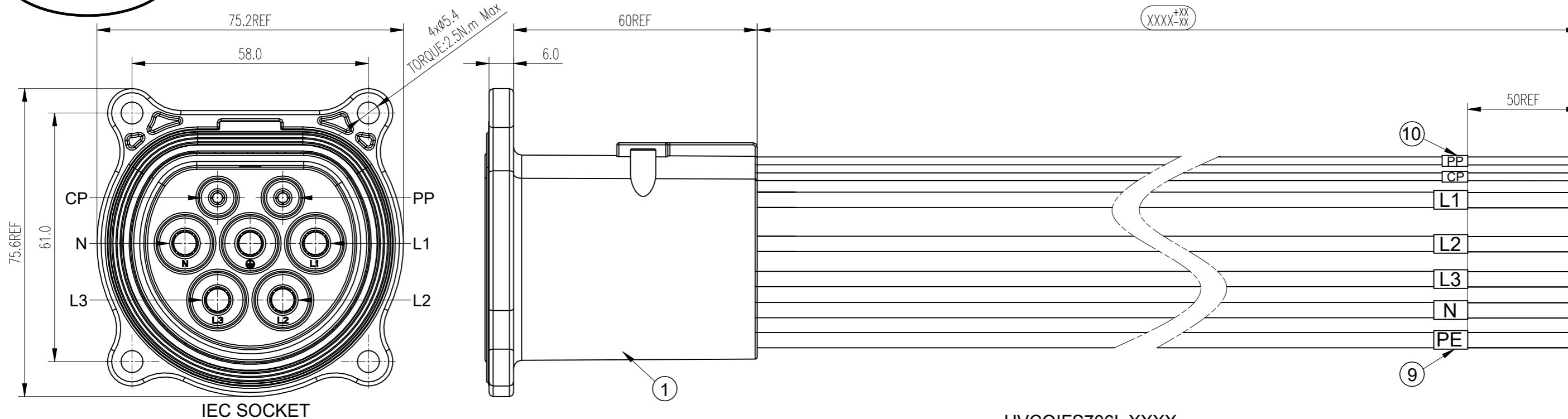


REV	ECN	DESCRIPTION	DATE	MODIFIED
1		RELEASE	Mar-22-2024	

Amphenol PCD SZ
ORIGINAL
PDF Format
R&D



IEC SOCKET

HVCOIFS706L XXXX

LENGTH	TOLERANCE
0~1000mm	+25 -10
1001~5000mm	+40 -10
>5000mm	+50 -20

CABLE CONNECT METHOD



ITEM	P/N	DESCRIPTION	QTY	UNIT
⑩	C210006837	H.S.T: Ø3.2 WHITE NOT MARKING	0.05	m
⑨	P05B000006	H.S.T: Ø6.0 WHITE NOT MARKING	0.10	m
⑧	C210030045	0.5mm² UNSHIELDING BLACK OD=1.6±0.1	AR	m
⑦	C210030046	0.5mm² UNSHIELDING RED OD=1.6±0.1	AR	m
⑥	C210030042	6mm² UNSHIELDING YELLOW/GREEN, XLPE OD=5.1±0.2	AR	m
⑤	P01BC00200	6mm² TINNED UNSHIELDING BLUE, XLPE OD=5.1±0.2	AR	m
④	P01BC00201	6mm² TINNED UNSHIELDING GRAY, XLPE OD=5.1±0.2	AR	m
③	P01BC00202	6mm² TINNED UNSHIELDING BLACK, XLPE OD=5.1±0.2	AR	m
②	P01BC00199	6mm² TINNED UNSHIELDING BROWN, XLPE OD=5.1±0.2	AR	m
①	P02B000306	IEC SOCKET-OUTLET : P02B000306 BLACK	1	EA

安费诺精密连接器(深圳)有限公司
Amphenol PCD Shenzhen
受控文件
2024年3月22日

- *Notes:
- Cable assembly data:
 - Rated Voltage: 480V AC (L1&L2&L3&N&PE); 30V DC (CP&PP);
 - Rated Current: 32A (L1&L2&L3&N); 2A (CP&PP);
 - IP-Class: IP2X; IP55(Mated)
 - Insulation Resistance: 100MΩ Min/500V DC
 - Withstand Voltage:
 - 2000V r.m.s / L1&L2&L3&N&PE
 - 500V r.m.s / PP&CP
 - Durability: >10000 Cycles
Insertion and extraction force: <100N
 - RoHS Compliance
Ambient Temperature: -30°C ~ +50°C
 - Reference Standard IEC 62196-2; CE marking
 - Installed towards down, install standard reference: C-P02B000306
 - The cable should be fixed at 100mm max from the rear of connector
 - Cable Minimum Bending Radius: ≥5OD

DIMENSIONS	TOLERANCES	PROJECTION	TITLE		
ANSI Y14.5M UNITS: MM CAD FILE	.X ± 0.5 .XX ± 0.05 ANGLES ± 2.0°		Amphenol PCD Shenzhen		
ORIGINAL	THIS DOCUMENT CONTAINS PROPRIETARY INFORMATION WHICH IS THE CONFIDENTIAL PROPERTY OF Amphenol PCD Shenzhen Co. Ltd Amphenol PCD Shenzhen Co. Ltd RESERVES THE RIGHT TO CLARIFY THIS DRAWING		ENGR	IEC SOCKET OUTLET 32A 3P CABLE ASSEMBLY	
			CHKD	SIZE A3	DWG NO. C-HVCOIFS706LXXXX
			APPD	SCALE NA	REV 1
				SHEET 1 OF 1	

C-HVCOIFS706LXXXX

C-HVCOIFS706LXXXX