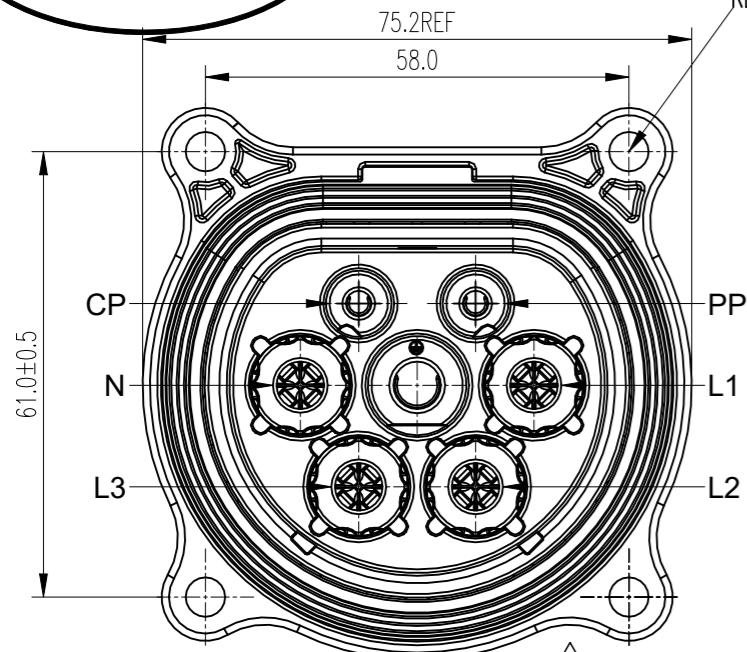
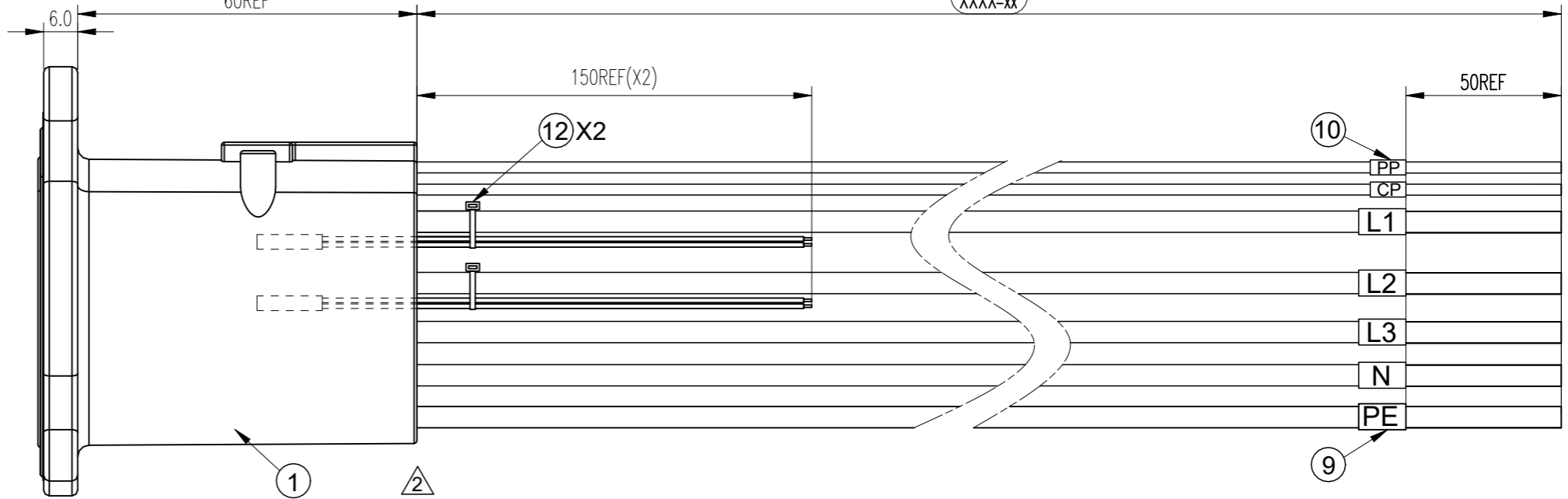


REV	ECN	DESCRIPTION	DATE	MODIFIED
1		RELEASE	Jun-09-2023	
2	R7372N-2	CHANGE STRUCTURE	Sep-19-2023	
3	R8330N	UPDATE THE VIEW	Sep-18-2024	

Amphenol ORIGINAL PDF Format R&D



4xØ5.4±0.1 Δ
APPLICABLE M5 SCREWS AND WASHERS
RECOMMENDED TORQUE:2.5N.m Max
60REF



XXXX-XX
+XX

CABLE CONNECT METHOD

②	6mm ² (Brown)	L1
③	6mm ² (Black)	L2
④	6mm ² (Gray)	L3
⑤	6mm ² (Blue)	N
⑥	6mm ² (Ye/Gn)	PE
⑦	0.5mm ² (Red)	PP
⑧	0.5mm ² (Black)	CP

*Notes:

1. Cable assembly data:

- Rated voltage: 480V AC (L1 & L2 & L3 & N & PE); 30V DC (CP & PP);
- Rated current: 32A (L1 & L2 & L3 & N); 2A (CP & PP);
- IP-Class: IP2XB, IP55 (Mated), IPXXD (L1 & L2 & L3 & N)
- Insulation resistance: 100MΩ Min / 500V DC
- Withstand voltage: 2000V AC / L1 & L2 & L3 & N & PE
500V AC / PP & CP

- Durability: >10000 cycles;
Insertion&Extraction force: <100N

- RoHS compliance
Ambient temperature: -30°C to +50°C
- Reference standard: IEC 62196-2; CE, UKCA Marking
- Installed towards down, install standard reference:
C-P02B000235
- The cable should be fixed at 100mm max from the rear of connector
- Cable minimum bending radius: ≥5*OD

HVCOSFS706PTL XXXX

LENGTH	TOLERANCE
0~1000mm	+25 -10
1001~5000mm	+40 -10
>5000mm	+50 -20

⑫	C210003609	CABLE TIE BLACK	2	EA
⑪	P01BN00749	PT1000 Φ3X12 R ₀ C=1000Ω 24AWG WHITE	2	EA
⑩	C210006837	H.S.T:Ø3.2 WHITE NOT MARKING	0.05	m
⑨	P05B000006	H.S.T:Ø6.0 WHITE NOT MARKING	0.10	m
⑧	C210030045	0.5mm ² UNSHIELDING BLACK OD=1.6±0.1	AR	m
⑦	C210030046	0.5mm ² UNSHIELDING RED OD=1.6±0.1	AR	m
⑥	C210030042	6mm ² UNSHIELDING YELLOW/GREEN,XLPE OD=5.1±0.2	AR	m
⑤	P01BC00200	6mm ² TINNED UNSHIELDING BLUE, XLPE OD=5.1±0.2	AR	m
④	P01BC00201	6mm ² TINNED UNSHIELDING GRAY, XLPE OD=5.1±0.2	AR	m
③	P01BC00202	6mm ² TINNED UNSHIELDING BLACK, XLPE OD=5.1±0.2	AR	m
②	P01BC00199	6mm ² TINNED UNSHIELDING BROWN,XLPE OD=5.1±0.2	AR	m
①	P02B000235	SOCKET-OUTLET OF SHUTTER: P02B000235 BLACK	1	EA

DIMENSIONS	TOLERANCES	PROJECTION	TITLE	
ANSI Y14.5M UNITS: MM CAD FILE	.X ± 0.5 .XX ± 0.05 ANGLES ± 2.0°		IEC SOCKET OUTLET OF SHUTTER 32A 3P WITH PT1000 CABLE ASSEMBLY	
ORIGINAL	THIS DOCUMENT CONTAINS PROPRIETARY INFORMATION WHICH IS THE CONFIDENTIAL PROPERTY OF Amphenol PCD Shenzhen Co. Ltd Amphenol PCD Shenzhen Co. Ltd RESERVES THE RIGHT TO CLARIFY THIS DRAWING		SIZE A3	DWG NO. C-HVCOSFS706PTLXXXX
			SCALE NA	SHEET 1 OF 1

Amphenol PCD Shenzhen
ENGR
Sep-18-2024
CHKD
APPD

REV
3

C-HVCOSFS706PTLXXXX

C-HVCOSFS706PTLXXXX