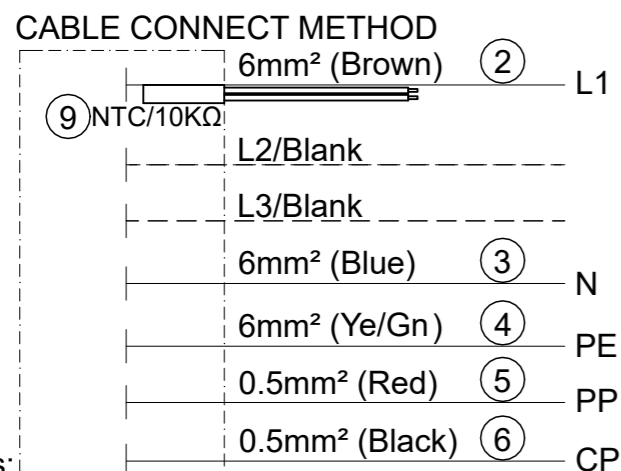
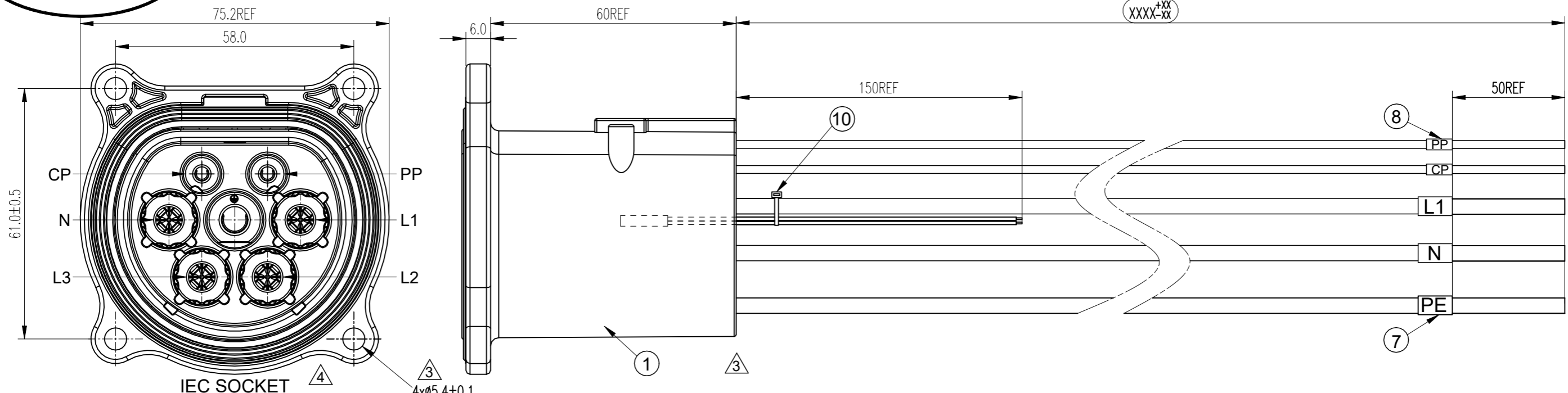


REV	ECN	DESCRIPTION	DATE	MODIFIED
3	R7372N-2	CHANGE STRUCTURE	Sep-19-2023	
4	R8330N	UPDATE THE VIEW	Sep-14-2024	
1		RELEASE	Dec-20-2022	
2	R7113W	CHANGED HOLE FORM 7MM TO 5.4MM	Jun-09-2023	

Amphenol  
ORIGINAL  
PDF Format  
R&D



4xØ5.4±0.1  
APPLICABLE M5 SCREWS AND WASHERS  
RECOMMENDED TORQUE:2.5N.m Max

HVCOSFS506NTL XXXX

LENGTH	TOLERANCE
0~1000mm	+25 -10
1001~5000mm	+40 -10
>5000mm	+50 -20

**\*Notes:**

- Cable assembly data:
  - Rated voltage: 250V AC (L1 & N & PE); 30V DC (CP & PP);
  - Rated current: 32A (L1 & N); 2A (CP & PP);
  - IP-Class: IP2XB, IP55 (Mated), IPXXD (L1 & N)
  - Insulation resistance: 100MΩ Min / 500V DC
  - Withstand voltage: 2000V AC / L1 & L2 & L3 & N & PE  
500V AC / PP & CP
- Durability: >10000 cycles;  
Insertion&Extraction force: <100N
- RoHS compliance  
Ambient temperature: -30°C to +50°C
- Reference standard: IEC 62196-2; CE, UKCA Marking
- Installed towards down, install standard reference:  
C-P02B000235
- The cable should be fixed at 100mm max from the rear of connector
- Cable minimum bending radius: ≥5\*OD

ITEM	P/N	DESCRIPTION	QTY	UNIT
⑩	C210003609	CABLE TIE BLACK	1	EA
⑨	P01BN00748	NTC TR29 Ø3X12 R <sub>25</sub> = 10KΩ B <sub>25/50</sub> =3950K 24AWG BLACK	1	EA
⑧	C210006837	H.S.T:Ø3.2 WHITE NOT MARKING	0.05	m
⑦	P05B000006	H.S.T:Ø6.0 WHITE NOT MARKING	0.10	m
⑥	C210030045	0.5mm² UNSHIELDING BLACK OD=1.6±0.1	AR	m
⑤	C210030046	0.5mm² UNSHIELDING RED OD=1.6±0.1	AR	m
④	C210030042	6mm² UNSHIELDING YELLOW/GREEN,XLPE OD=5.1±0.2	AR	m
③	P01BC00200	6mm² TINNED UNSHIELDING BLUE, XLPE OD=5.1±0.2	AR	m
②	P01BC00199	6mm² TINNED UNSHIELDING BROWN, XLPE OD=5.1±0.2	AR	m
①	P02B000235	IEC SOCKET-OUTLET OF SHUTTER: P02B000235 BLACK	1	EA

DIMENSIONS	TOLERANCES	PROJECTION	TITLE		
ANSI Y14.5M UNITS: MM CAD FILE	.X ± 0.5 .XX ± 0.05 ANGLES ± 2.0°		IEC SOCKET OUTLET OF SHUTTER 32A 1P WITH NTC CABLE ASSEMBLY		
ORIGINAL	THIS DOCUMENT CONTAINS PROPRIETARY INFORMATION WHICH IS THE CONFIDENTIAL PROPERTY OF Amphenol PCD Shenzhen Co. Ltd Amphenol PCD Shenzhen Co. Ltd RESERVES THE RIGHT TO CLARIFY THIS DRAWING		ENGR	SIZE A3	DWG NO. C-HVCOSFS506NTLXXXX
			APPD	SCALE NA	REV 4
				SHEET 1 OF 1	

C-HVCOSFS506NTLXXXX

C-HVCOSFS506NTLXXXX