

REV	ECN	DESCRIPTION	DATE	MODIFIED
1		PRE-RELEASE	Feb-26-2024	
2	R7786W	ADD IP55 AND IP54	Apr-19-2024	

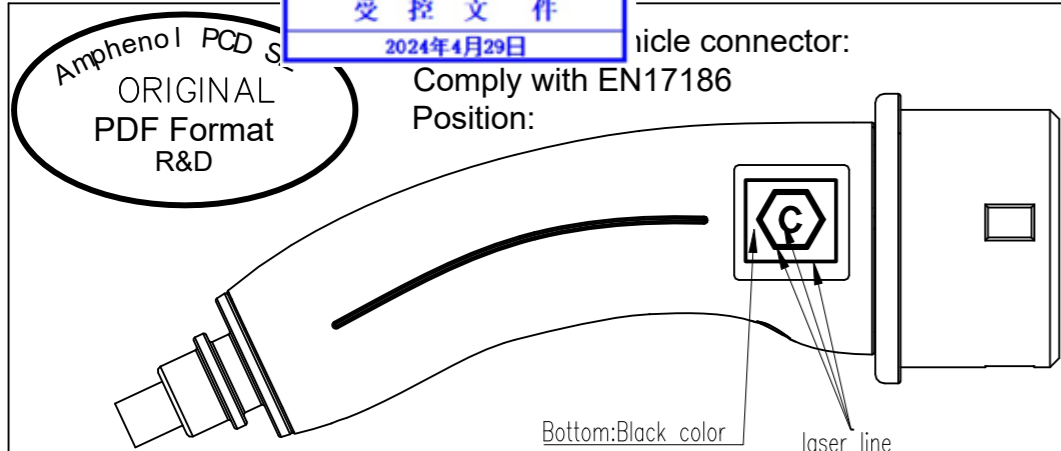
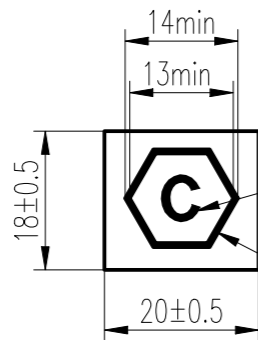
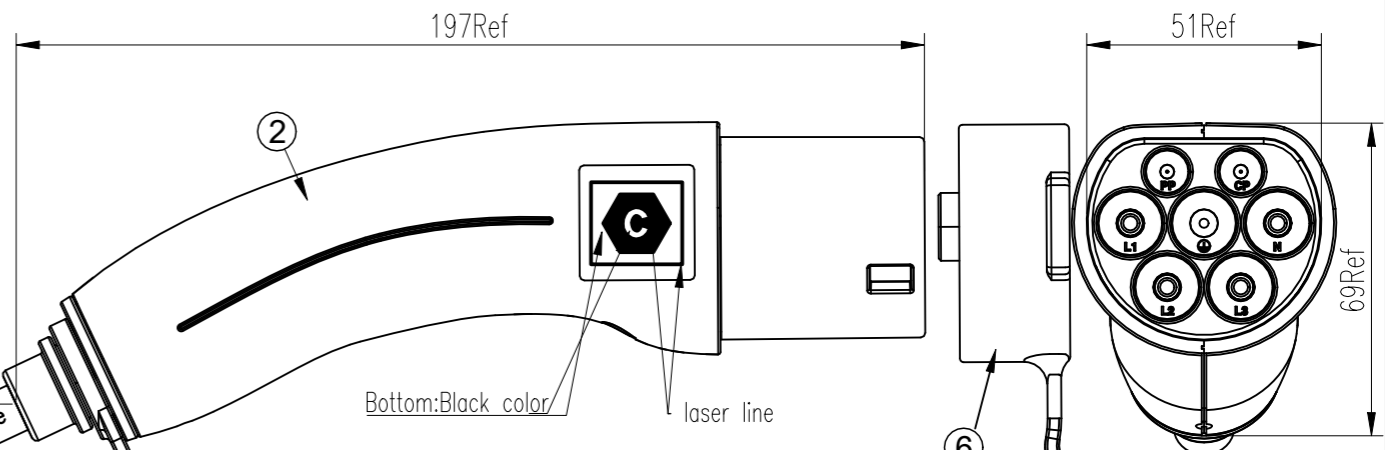


Photo see below:

Size see below:



"C"  
Place in the middle of hexagon  
Font: Arial Bold, Size:5mm min  
Line thickness:0.5mm min

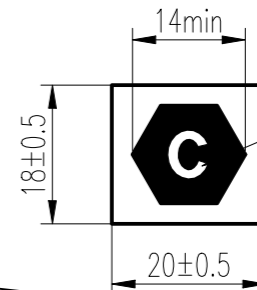


Identifier for plug:  
Comply with EN17186  
Position:

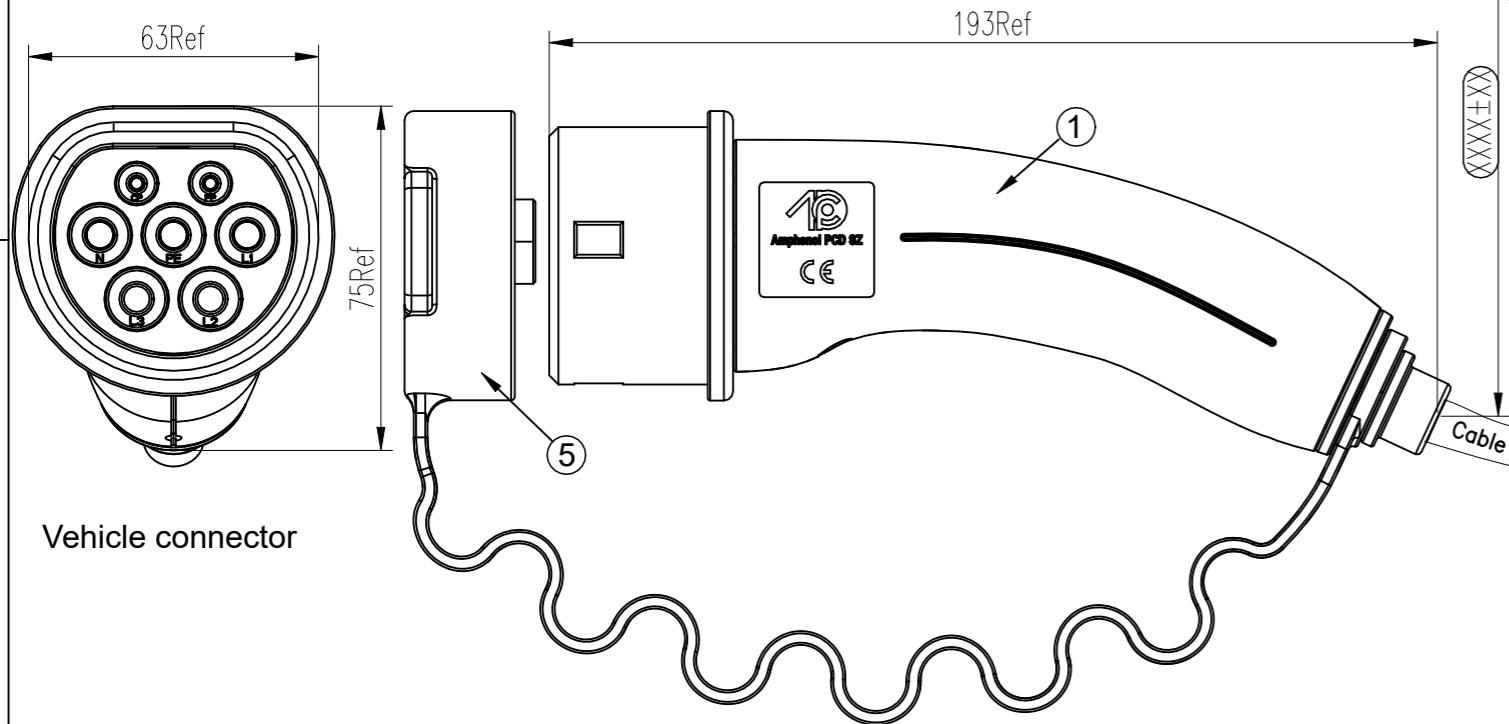
Plug for supply

Photo see below:

Size see below:



"C"  
Place in the middle of hexagon  
Font: Arial Bold, Size:5mm min



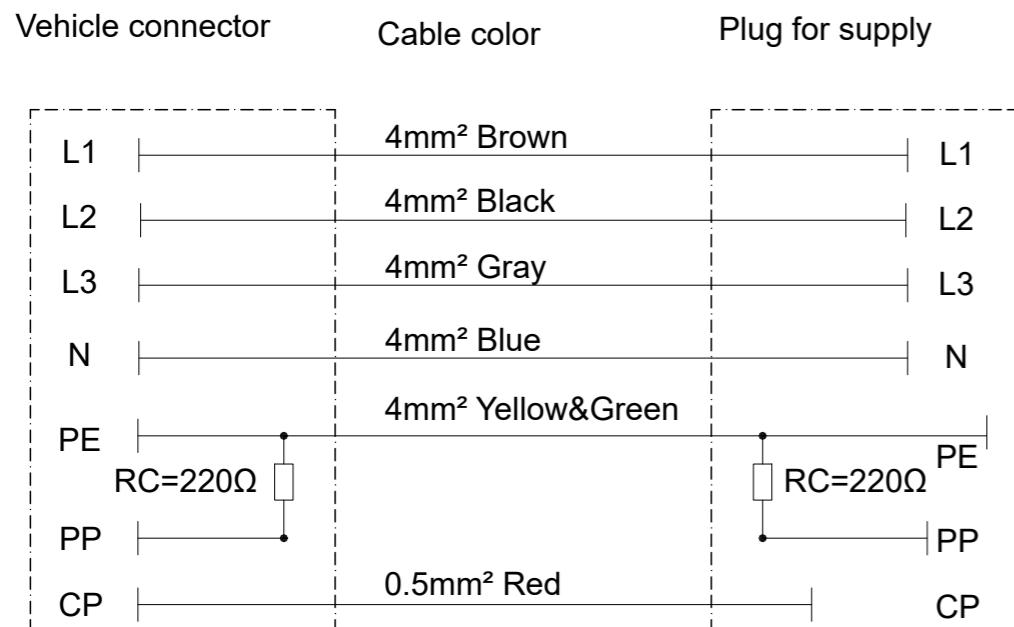
Vehicle connector

DIMENSIONS	TOLERANCES	PROJECTION	TITLE		
ANSI Y14.5M UNITS: MM	.X ± 0.5 .XX ±0.05 ANGLES ±2.0°		IEC CHARGING COUPLER 32A 3-PHASE CABLE ASSEMBLY -POTTING		
ORIGINAL	THIS DOCUMENT CONTAINS PROPRIETARY INFORMATION WHICH IS THE CONFIDENTIAL PROPERTY OF Amphenol PCD Shenzhen Co. Ltd Amphenol PCD Shenzhen Co. Ltd RESERVES THE RIGHT TO CLARIFY THIS DRAWING	Amphenol PCD Shenzhen	ENGR	Feb-26-2024	SIZE A3
		CHKD	APPD	DWG NO. C-HVCOIMBSCR6PF704LXXXX	REV 2
			SCALE NA	SHEET 1 OF 2	

C-HVCOIMBSCR6PF704LXXXX

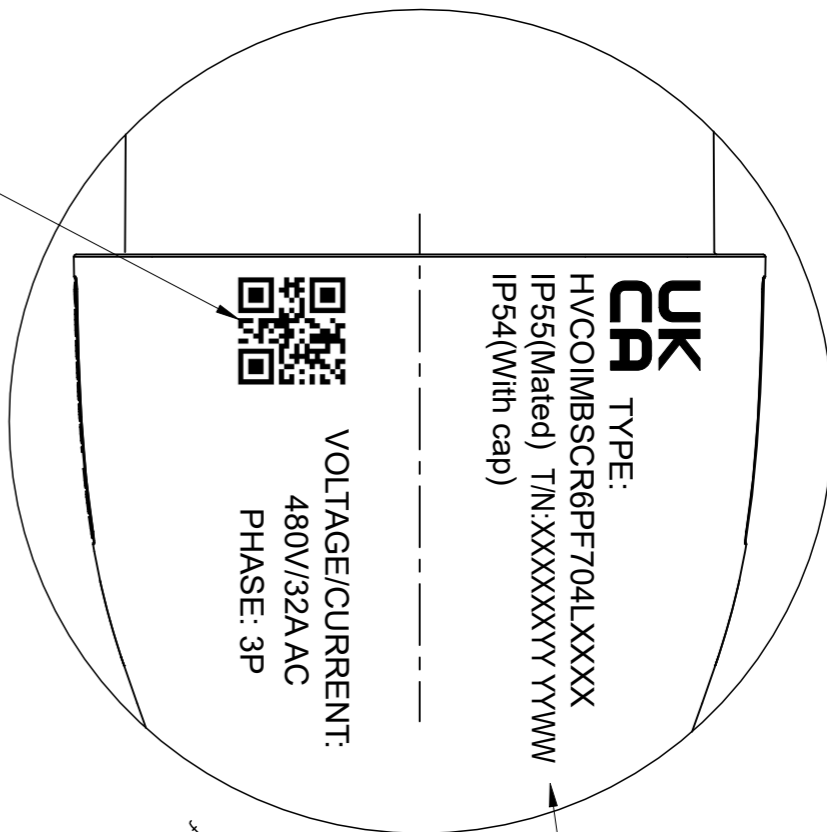
C-HVCOIMBSCR6PF704LXXXX

MODE OF CONNECTION

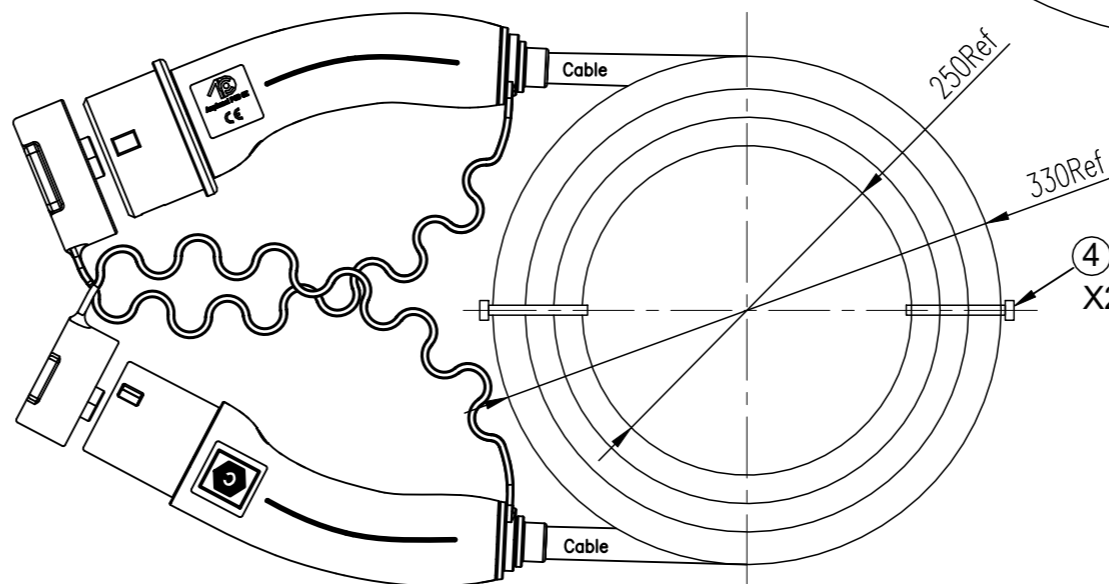


Laser Marking On Vehicle & Stake Plug  
QR code only in Vehicle connector end

QR code,  
content including:  
HVCOIMBSCR6PF704LXXXX  
#Work order number  
#Serial number ex:0001



COILING SIZE



T/N:XXXXXXXXXXYYWW  
Work order number +  
batch number+year+Week  
△<sub>2</sub> Font:Arial 2Ref

\*Notes:

- Cable assembly data:
  - Rated Voltage:480V AC(L1&L2&L3&N&PE),30V DC(PP&CP);
  - Rated Current:32A Max(L1&L2&L3&N),2A Max(PP&CP);
  - Insulation Resistance:100MΩ Min;
  - Dielectric Withstand Voltage :2000V/AC r.m.s;
  - IP-Class:IP54(with CAP fitted) IP55(when mated) IP67 for enclosure;
- Durability:10000 cycles;
- Comply With RoHS;
- Ambient Temperature: -30°C ~ +50°C;
- Connector reference: C-HVCOIMBR6PF704L0000  
C-HVCOIMBSR6PF704L0000;
- Reference: IEC 62196-2;
- Identifier based on EN17186;
- Minimum bending radius:161mm;
- HVCOIMBSCR6PF704LXXXX

Length(mm)	Tolerance
0~1000	±50
1001~5000	±100
>5000	±200

ITEM	P/N	DESCRIPTION	QTY	UNIT
⑥	P01BP00366	DUST CAP FOR PLUG, BLACK	1	EA
⑤	P01BP00382	DUST CAP FOR VEHICLE CONNECTOR, BLACK	1	EA
④	P05C000011	CABLE TIE BLACK	2	EA
③	CABLE	5C*4mm <sup>2</sup> +1C*0.5mm <sup>2</sup> BK OD=14.2±0.4	AR	m
②	HVCOIMBSR6PF704N0000	PLUG FOR SUPPLY, 3P,32A,BLACK	1	EA
①	HVCOIMBR6PF704N0000	VEHICLE CONNECTOR, 3P,32A,BLACK	1	EA

SIZE	DWG NO.	REV
A3	C-HVCOIMBSCR6PF704LXXXX	2
SCALE	NA	SHEET 2 OF 2