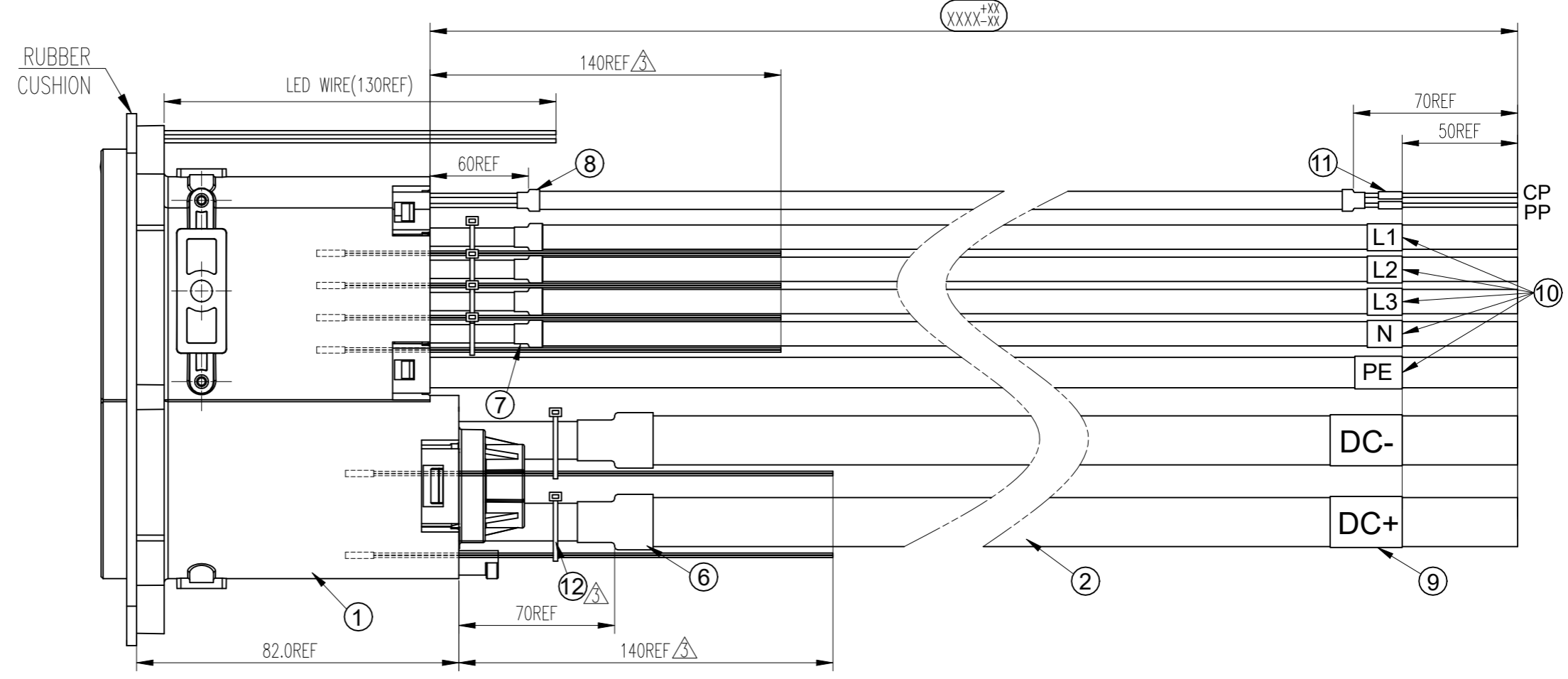
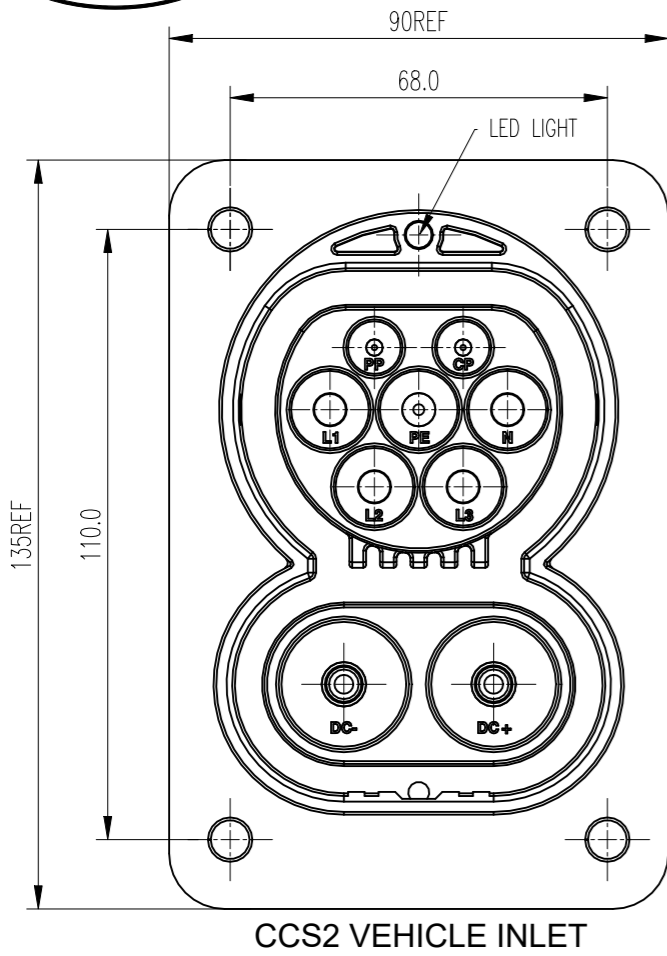
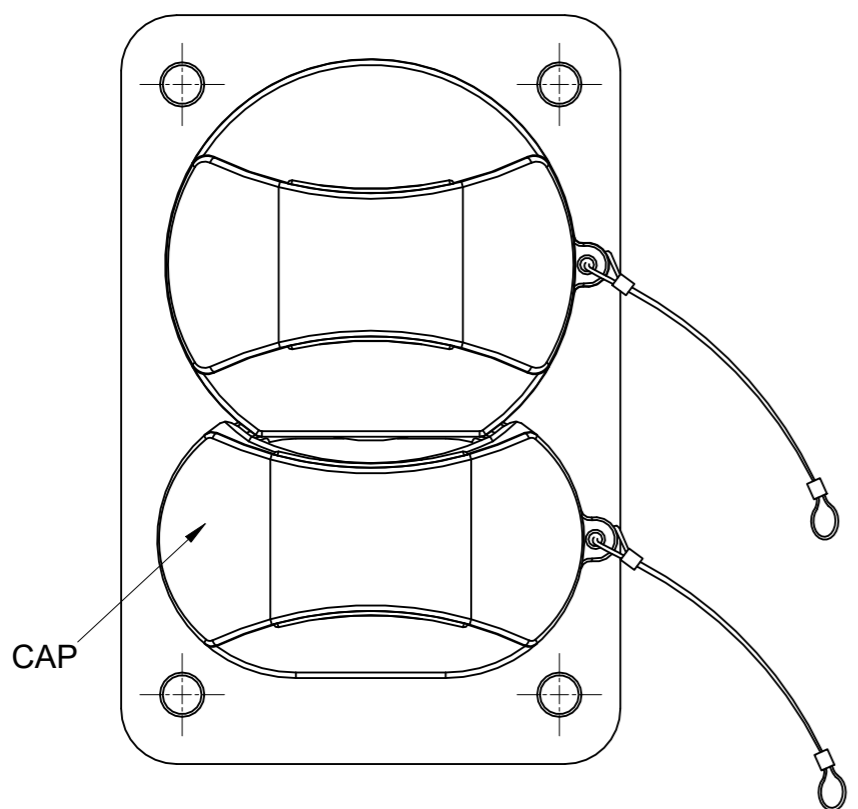


REV	ECN	DESCRIPTION	DATE	MODIFIED
1		RELEASE	2021.07..29	
2	R6286	UPDATED 95mm2 CURRENT 300A Max	May-18-2022	
3	R7657N	ADD CABLE TIES	Feb-02-2024	



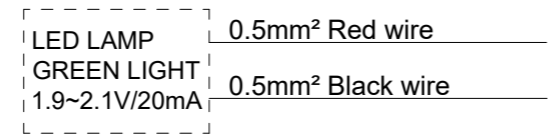
HVCOCF16BPTR8SF995L XXXX

LENGTH	TOLERANCE
0~1000mm	+25 -10
1001~5000mm	+40 -10
>5000mm	+50 -20

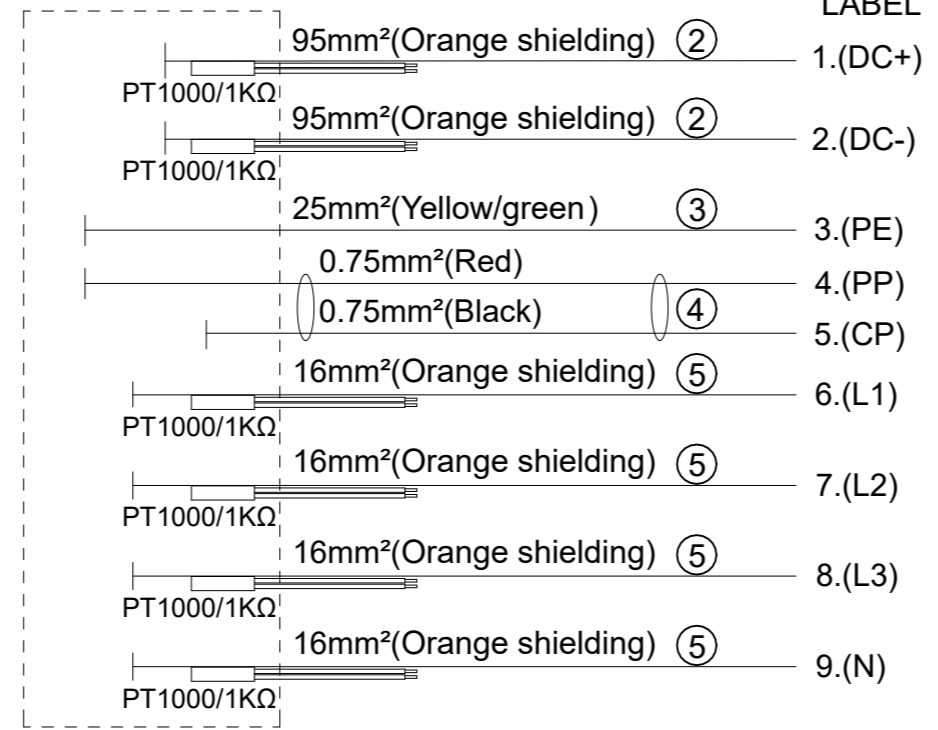


DIMENSIONS	TOLERANCES	PROJECTION	TITLE			
ANSI Y14.5M UNITS: MM CAD FILE	.X ± 0.5 .XX ± 0.05 ANGLES ± 0.5°		CCS2 Vehicle Inlet DC 1000V/300A;AC 480V/63A Cable Assembly			
ORIGINAL	THIS DOCUMENT CONTAINS PROPRIETARY INFORMATION WHICH IS THE CONFIDENTIAL PROPERTY OF Amphenol PCD Shenzhen Co. Ltd Amphenol PCD Shenzhen Co. Ltd RESERVES THE RIGHT TO CLARIFY THIS DRAWING	Amphenol PCD Shenzhen ENGR Feb-02-2024	SIZE	DWG NO.	REV	
		APPD	A3	C-HVCOCF16BPTR8SF995LXXXX	3	
			SCALE	NA	SHEET 1 OF 2	

LED INDICATOR LIGHT



CABLE CONNECT METHOD



*Notes:

- Cable assembly data:
 - Rated Voltage&Rated Current:
 - DC+:1000V DC 300A;
 - DC-:1000V DC 300A;
 - L1&L2&L3&N:480V 63A;
 - PE: 25mm² Ground;
 - PP:30V DC 2A;
 - CP:30V DC 2A;
 - Insulation Resistance:
 - 100MΩ Min(1000V DC/DC+&DC-&AC)
 - 100MΩ Min(500V DC/CP&PP)
 - Withstand Voltage:
 - 3000V/AC r.m.s(DC+&DC-);
 - 2000V/AC r.m.s(L1&L2&L3&N);
 - 500V/AC r.m.s(CP&PP);
 - IP-Class(mated): IP44(IEC COMBO)
 - Durability:10000 cycles(IEC COMBO);
 - RoHS Compliance;
 - Ambient Temperature: -30°C ~ +50°C;
- CCS2 Inlet Reference: C-HVCOCF16BPTR8SF995L0000
- CCS2 Inlet Reference Standard: IEC 62196-3
- The cable should be fixed at 100mm max from the rear of connector
- Cable Minimum Bending Radius:≥5OD
- Add cable ties to fix sensor wires to avoid pulling out

⑫	C210003609	CABLE TIE BLACK	6	EA
⑪	C210006837	SINGLE-WALL H.S.T: Ø3.2mm WHITE	0.05	m
⑩	C210006511	SINGLE-WALL H.S.T: Ø12mm WHITE	0.15	m
⑨	C210004341	SINGLE-WALL H.S.T: Ø25mm WHITE	0.10	m
⑧	C210006440	DOUBLE-WALL H.S.T: Ø8.0mm BLACK	0.06	m
⑦	P05B000015	DOUBLE-WALL H.S.T: Ø15mm BLACK	0.10	m
⑥	C210006502	DOUBLE-WALL H.S.T: Ø25mm BLACK	0.16	m
⑤	P01BC00123	1C*16mm² SHIELDING ORANGE,XLPE,OD11.2±0.3,ID8.0±0.2	AR	m
④	P01BC00029	2C*0.75mm² SHIELDING ORANGE,XLPE,OD6.7±0.2,ID2.3±0.15	AR	m
③	C210030044	1C*25mm² UNSHIELDING YELLOW/GREEN,XLPE,OD9.3±0.2	AR	m
②	P01BC00128	1C*95mm² SHIELDING ORANGE,XLPE,OD21.3±0.6,ID16.9±0.3	AR	m
①	HVCOCF16BPTR8SF995L0000	IEC COMBO:HVCOCF16BPTR8SF995L0000,PT1000	1	EA
ITEM	P/N	DESCRIPTION	QTY	UNIT

SIZE	DWG NO.	REV
A3	C-HVCOCF16BPTR8SF995LXXXX	3
SCALE	SHEET	
NA	2 OF 2	

C-HVCOCF16BPTR8SF995LXXXX

C-HVCOCF16BPTR8SF995LXXXX