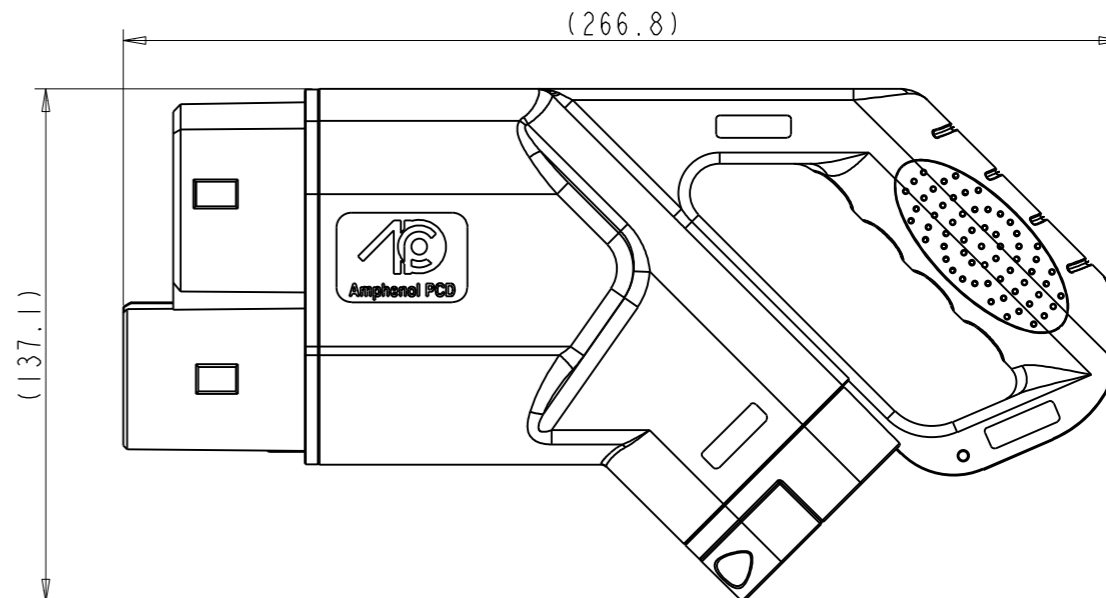
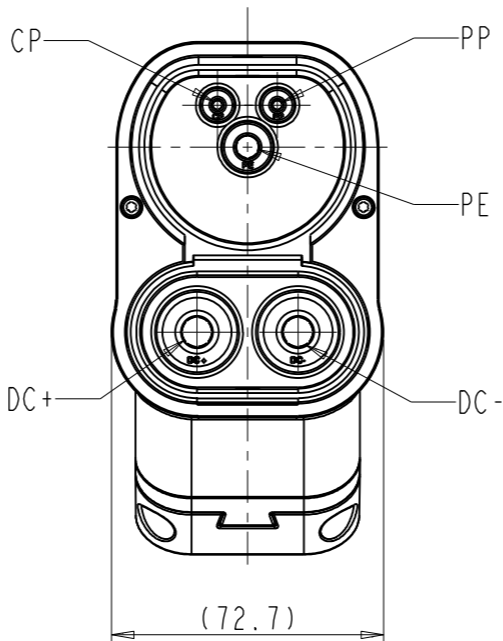
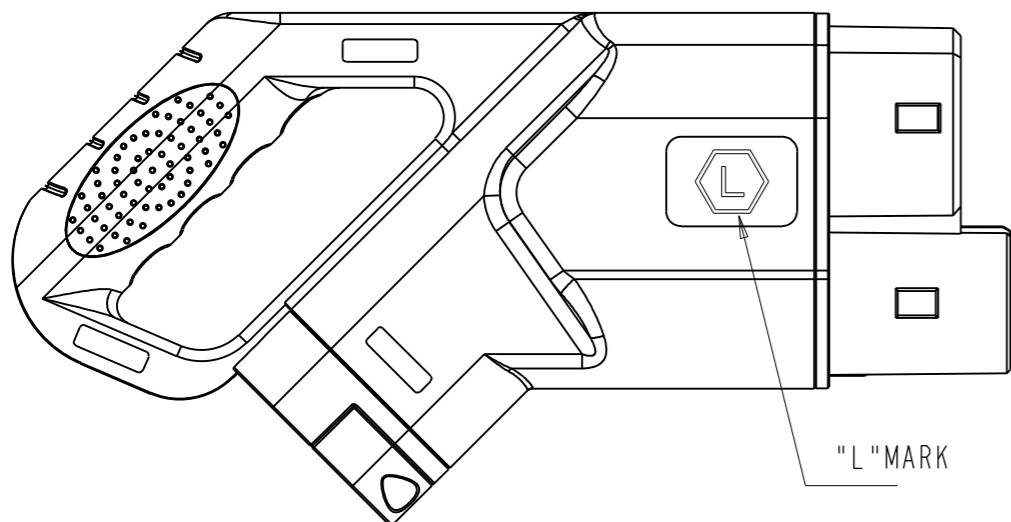


安费诺精密连接器(深圳)有限公司  
Amphenol PCD Shenzhen

受控文件

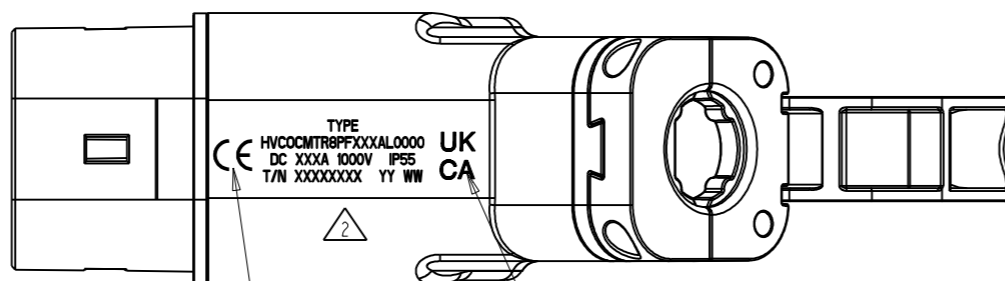
2024年9月27日

REV	ECN	DESCRIPTION	DATE	MODIFIED
1		PRE- RELEASE	May-04-23	
2	R7906N	MODIFIED DRAWING	2024.03.20	
3	C8477N	ADD NEW P/N,MODIFIED PP TERMINAL	2024.07.31	



"L" MARK

REF: IEC62196-2&IEC62196-3



CE

UK  
CA

TABLE 1

序号	料号	额定电流	DC 线缆规格	PE 线缆规格	适配线缆OD
1	HVCOCMTR8PF65AL0000	65A	2X16mm <sup>2</sup>	16mm <sup>2</sup>	19.5±0.4
2	HVCOCMTR8PF125AL0000	125A	2X50mm <sup>2</sup>	25mm <sup>2</sup>	32.5±0.8
3	HVCOCMTR8PF125AL0000L	125A	2X50mm <sup>2</sup>	25mm <sup>2</sup>	28.5±0.4
4	HVCOCMTR8PF150AL0000	150A	2X35mm <sup>2</sup>	16mm <sup>2</sup>	25.6±0.8
5	HVCOCMTR8PF200AL0000	200A	2X70mm <sup>2</sup>	25mm <sup>2</sup>	35.0±1.0
6	HVCOCMTR8PF200AML0000	200A	4X25mm <sup>2</sup>	4mm <sup>2</sup>	28.0±0.5
7	HVCOCMTR8PF200AM2L0000	200A	2X50mm <sup>2</sup>	25mm <sup>2</sup>	32.5±0.8
8	HVCOCMTR8PF250AL0000	250A	2X70mm <sup>2</sup>	25mm <sup>2</sup>	35.0±1.0
9	HVCOCMTR8PF250AML0000	250A	4X35mm <sup>2</sup>	4mm <sup>2</sup>	31.5±0.5
10	HVCOCMTR8PF300AL0000	300A	4X50mm <sup>2</sup>	35mm <sup>2</sup>	36.9±1.0
11	HVCOCMTR8PF300AML0000	300A	4X50mm <sup>2</sup>	4mm <sup>2</sup>	34.0±0.5
12	HVCOCMTR8PF350AML0000	350A	4X50mm <sup>2</sup>	4mm <sup>2</sup>	34.0±0.5
13	HVCOCMTR8PF350AL0000	350A	4X50mm <sup>2</sup>	35mm <sup>2</sup>	36.9±1.0
14	HVCOCMTR8PF380AML0000	380A	4X50mm <sup>2</sup>	6mm <sup>2</sup>	35.5±1.0
15	HVCOCMTR8PF400AML0000	400	4X50mm <sup>2</sup>	6mm <sup>2</sup>	37.0±1.0

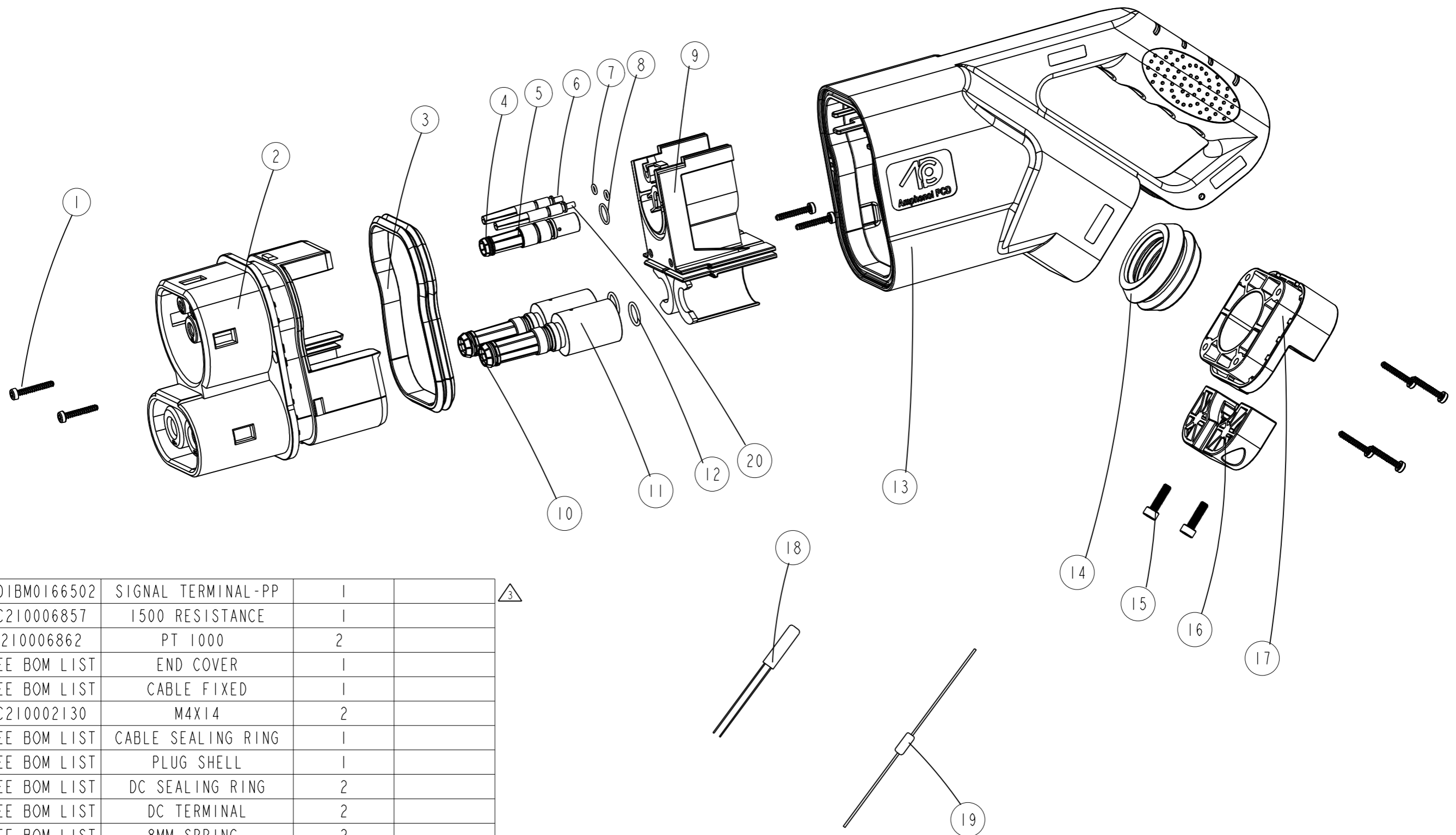
Technical Parameter		
Rated Current	SEE TABLE 1	+
Rated Voltage	1000VDC	+
Withstanding voltage	3000VAC	+
Insulation Resistance	100MΩ Min.	+
Contact Resistance	0.35mΩ Max.	
Durability	20000 Cycles	⊙
IP-Class	IP55 (Mated) IP55 (Unmated)	⊙
Ambient Temperature	-40°C~+50°C	⊙
Discription	Parameter	Symbol

DIMENSIONS	TOLERANCES	PROJECTION	TITLE
ANSI Y14.5M UNITS: MM Pro/E FILE	.X ±0.5 .XX ±0.05 ANGLES ±0.5°		<b>CCS2 Vehicle Connector</b>
<b>ORIGINAL NOT FOR CUSTOMER DISTRIBUTION</b>	THIS DOCUMENT CONTAINS PROPRIETARY INFORMATION WHICH IS THE CONFIDENTIAL PROPERTY OF Amphenol PCD Shenzhen Co. Ltd Amphenol PCD Shenzhen Co. Ltd RESERVES THE RIGHT TO CLARIFY THIS DRAWING		ENGR <b>May-04-23</b>
		CHKD APPD	SIZE <b>A3</b>
			DWG NO. <b>C-HVCOCMTR8PFXXXAL0000</b>
			REV <b>3</b>
			SCALE: 1:2
			SHEET 1 OF 10

+ CRITICAL CHARACTERISTICS 关键特性  
⊙ IMPORTANT CHARACTERISTICS 重要特性

C-HVCOCMTR8PFXXXAL0000

C-HVCOCMTR8PFXXXAL0000



C-HVCOCMTR8PFXXXAL0000

C-HVCOCMTR8PFXXXAL0000

20	POIBM0166502	SIGNAL TERMINAL-PP	1		△3
19	C210006857	1500 RESISTANCE	1		
18	C210006862	PT 1000	2		
17	SEE BOM LIST	END COVER	1		
16	SEE BOM LIST	CABLE FIXED	1		
15	C210002130	M4X14	2		
14	SEE BOM LIST	CABLE SEALING RING	1		
13	SEE BOM LIST	PLUG SHELL	1		
12	SEE BOM LIST	DC SEALING RING	2		
11	SEE BOM LIST	DC TERMINAL	2		
10	SEE BOM LIST	8MM SPRING	2		
9	POIBP00827	PIN HOLDER	1		
8	POIBR00695	PE SEALING RING	1		
7	C270007404	SIGNAL SEALING RING	2		
6	POIBM0166501	SIGNAL TERMINAL	1		△3
5	SEE BOM LIST	PE TERMINAL	1		
4	POIBN01495	6MM SPRING	1		
3	POIBR00632	SEALING RING	1		
2	SEE BOM LIST	HOUSING	1		△3
1	C210006300	ST2.9X18	8		
NO	P/N	DESCRIPTION	QUANTITY	NOTE	

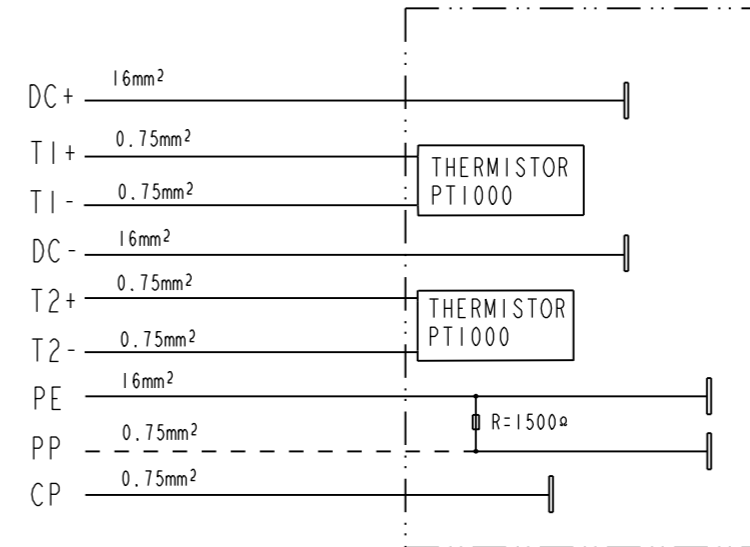
安费诺精密连接器(深圳)有限公司  
Amphenol PCD Shenzhen  
受控文件  
2024年9月27日

SIZE	DWG NO.	REV
A3	C-HVCOCMTR8PFXXXAL0000	3
SCALE: 1:2		SHEET 2 OF 10

HVCOCMTR8PF65AL0000-BOM LIST

20	P01BM0166502	SIGNAL TERMINAL-PP	1		3
19	C210006857	1500 RESISTANCE	1		
18	C210006862	PT 1000	2		
17	C2000068614	END COVER	1		
16	C2000068624	CABLE FIXED	1		
15	C210002130	M4X14	2		
14	C270007205D	CABLE SEALING RING	1		
13	P01BP00828B	PLUG SHELL	1		
12	P01DR00254	DC SEALING RING	2		
11	P02B00034406	DC TERMINAL	2		2
10	P01BN01172	8MM SPRING	2		
9	P01BP00827	PIN HOLDER	1		
8	P01BR00695	PE SEALING RING	1		
7	C270007404	SIGNAL SEALING RING	2		
6	P01BM0166501	SIGNAL TERMINAL	1		3
5	P02B00040203	PE TERMINAL	1		
4	P01BN01495	6MM SPRING	1		
3	P01BR00632	SEALING RING	1		
2	P01BP00826	HOUSING	1		
1	C210006300	ST2.9X18	8		
NO	P/N	DESCRIPTION	QUANTITY	note	

TERMINAL MODE OF CONNECTION:  
(Cable connections refer to wiring harness drawings)

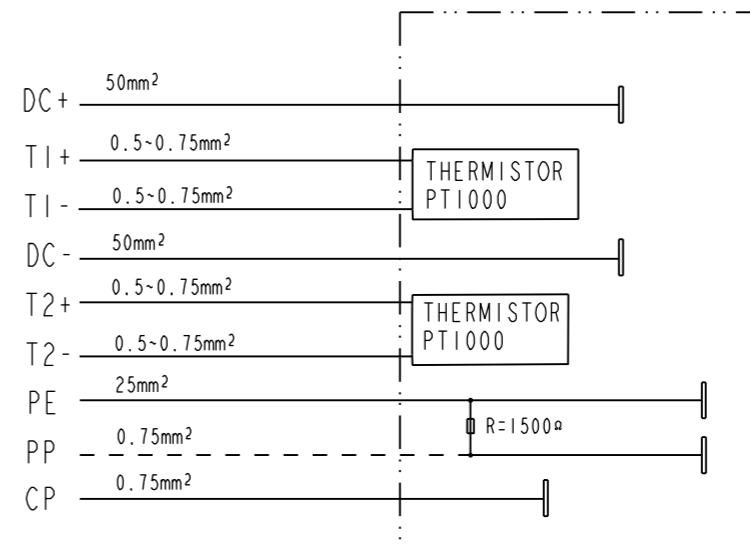


WHETHER THE PP TERMINAL LEADS OUT IS  
BASED ON THE WIRING HARNESS DRAWING

HVCOCMTR8PF125AL0000-BOM LIST

20	P01BM0166502	SIGNAL TERMINAL-PP	1		3
19	C210006857	1500 RESISTANCE	1		
18	C210006862	PT 1000	2		
17	C2000068612	END COVER	1		
16	C2000068622	CABLE FIXED	1		
15	C210002130	M4X14	2		
14	P01BR00666	CABLE SEALING RING	1		
13	P01BP00828B	PLUG SHELL	1		
12	P01DR00254	DC SEALING RING	2		
11	P02B00034403	DC TERMINAL	2		2
10	P01BN01172	8MM SPRING	2		
9	P01BP00827	PIN HOLDER	1		
8	P01BR00695	PE SEALING RING	1		
7	C270007404	SIGNAL SEALING RING	2		
6	P01BM0166501	SIGNAL TERMINAL	1		3
5	P02B00040202	PE TERMINAL	1		
4	P01BN01495	6MM SPRING	1		
3	P01BR00632	SEALING RING	1		
2	P01BP00826	HOUSING	1		
1	C210006300	ST2.9X18	8		
NO	P/N	DESCRIPTION	QUANTITY	note	

TERMINAL MODE OF CONNECTION:  
(Cable connections refer to wiring harness drawings)



WHETHER THE PP TERMINAL LEADS OUT IS  
BASED ON THE WIRING HARNESS DRAWING

SIZE	DWG NO.	REV
A3	C-HVCOCMTR8PFXXXAL0000	3
SCALE: 1:2		SHEET 3 OF 10

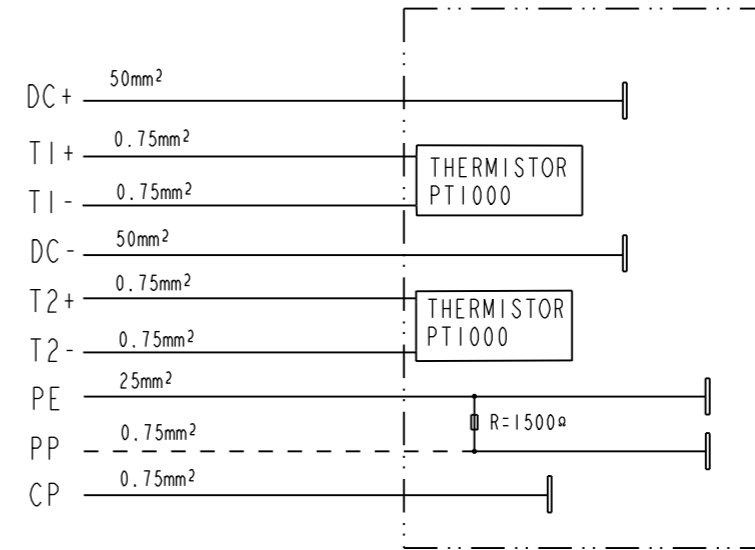
C-HVCOCMTR8PFXXXAL0000

C-HVCOCMTR8PFXXXAL0000

HVCOCMTR8PF125AL0000L-BOM LIST

20	P01BM0166502	SIGNAL TERMINAL-PP	1	3
19	C210006857	1500 RESISTANCE	1	
18	C210006862	PT 1000	2	
17	P01BM0170501	END COVER	1	
16	P01BM0170601	CABLE FIXED	1	
15	C210002130	M4X14	2	
14	P01BR00665	CABLE SEALING RING	1	
13	P01BP00828B	PLUG SHELL	1	
12	P01DR00254	DC SEALING RING	2	
11	P02B00034403	DC TERMINAL	2	2
10	P01BN01172	8MM SPRING	2	
9	P01BP00827	PIN HOLDER	1	
8	P01BR00695	PE SEALING RING	1	
7	C270007404	SIGNAL SEALING RING	2	
6	P01BM0166501	SIGNAL TERMINAL	1	3
5	P02B00040202	PE TERMINAL	1	
4	P01BN01495	6MM SPRING	1	
3	P01BR00632	SEALING RING	1	
2	P01BP00826	HOUSING	1	
1	C210006300	ST2.9X18	8	
NO	P/N	DESCRIPTION	QUANTITY	note

TERMINAL MODE OF CONNECTION:  
(Cable connections refer to wiring harness drawings)

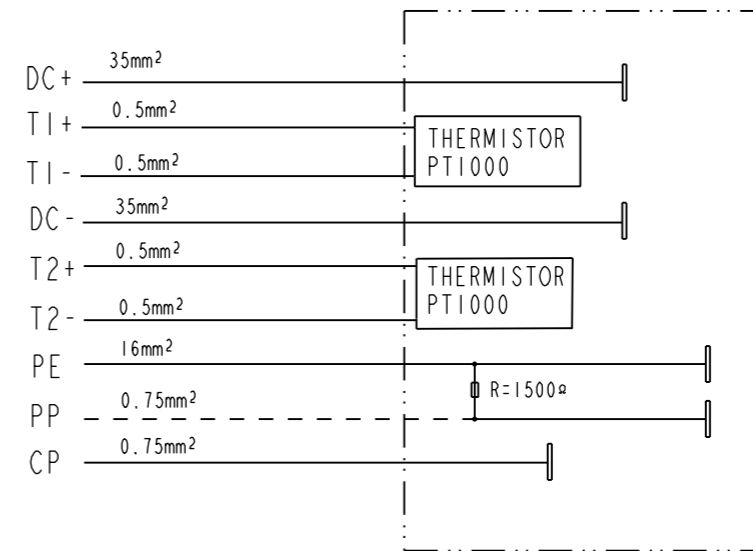


WHETHER THE PP TERMINAL LEADS OUT IS  
BASED ON THE WIRING HARNESS DRAWING

HVCOCMTR8PF150AL0000-BOM LIST

20	P01BM0166502	SIGNAL TERMINAL-PP	1	3
19	C210006857	1500 RESISTANCE	1	
18	C210006862	PT 1000	2	
17	C2000068613	END COVER	1	
16	C2000068623	CABLE FIXED	1	
15	C210002130	M4X14	2	
14	P01BR00611	CABLE SEALING RING	1	
13	P01BP00828B	PLUG SHELL	1	
12	P01DR00254	DC SEALING RING	2	
11	P02B00034402	DC TERMINAL	2	2
10	P01BN01172	8MM SPRING	2	
9	P01BP00827	PIN HOLDER	1	
8	P01BR00695	PE SEALING RING	1	
7	C270007404	SIGNAL SEALING RING	2	
6	P01BM0166501	SIGNAL TERMINAL	1	3
5	P02B00040203	PE TERMINAL	1	
4	P01BN01495	6MM SPRING	1	
3	P01BR00632	SEALING RING	1	
2	P01BP00826	HOUSING	1	
1	C210006300	ST2.9X18	8	
NO	P/N	DESCRIPTION	QUANTITY	note

TERMINAL MODE OF CONNECTION:  
(Cable connections refer to wiring harness drawings)



WHETHER THE PP TERMINAL LEADS OUT IS  
BASED ON THE WIRING HARNESS DRAWING

SIZE	DWG NO.	REV
A3	C-HVCOCMTR8PFXXXAL0000	3
SCALE: 1:2		SHEET 4 OF 10

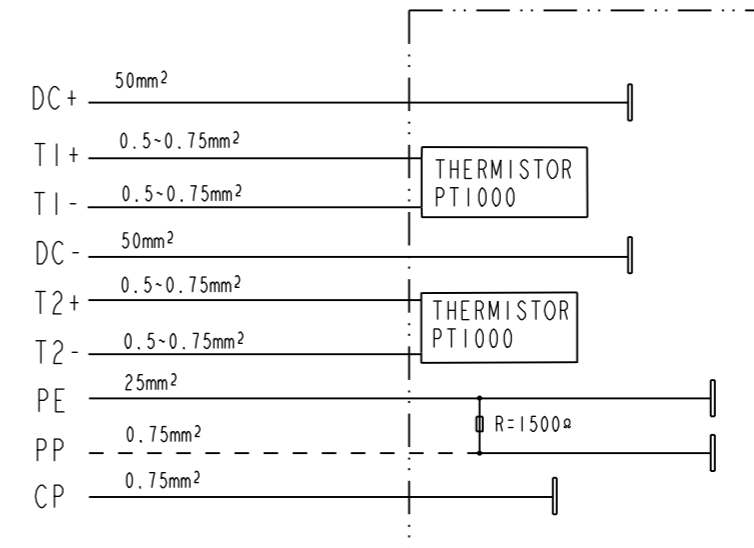
C-HVCOCMTR8PFXXXAL0000

C-HVCOCMTR8PFXXXAL0000

HVCOCMTR8PF200AM2L0000-BOM LIST

20	P01BM0166502	SIGNAL TERMINAL-PP	1		△3
19	C210006857	1500 RESISTANCE	1		
18	C210006862	PT 1000	2		
17	C2000068612	END COVER	1		
16	C2000068622	CABLE FIXED	1		
15	C210002130	M4X14	2		
14	P01BR00666	CABLE SEALING RING	1		
13	P01BP00828B	PLUG SHELL	1		
12	P01DR00254	DC SEALING RING	2		
11	P02B00034403	DC TERMINAL	2		
10	P01BN01172	8MM SPRING	2		△2
9	P01BP00827	PIN HOLDER	1		
8	P01BR00695	PE SEALING RING	1		
7	C270007404	SIGNAL SEALING RING	2		
6	P01BM0166501	SIGNAL TERMINAL	1		△3
5	P02B00040202	PE TERMINAL	1		
4	P01BN01495	6MM SPRING	1		
3	P01BR00632	SEALING RING	1		
2	P01BP00826	HOUSING	1		
1	C210006300	ST2.9X18	8		
NO	P/N	DESCRIPTION	QUANTITY	note	

TERMINAL MODE OF CONNECTION:  
(Cable connections refer to wiring harness drawings)

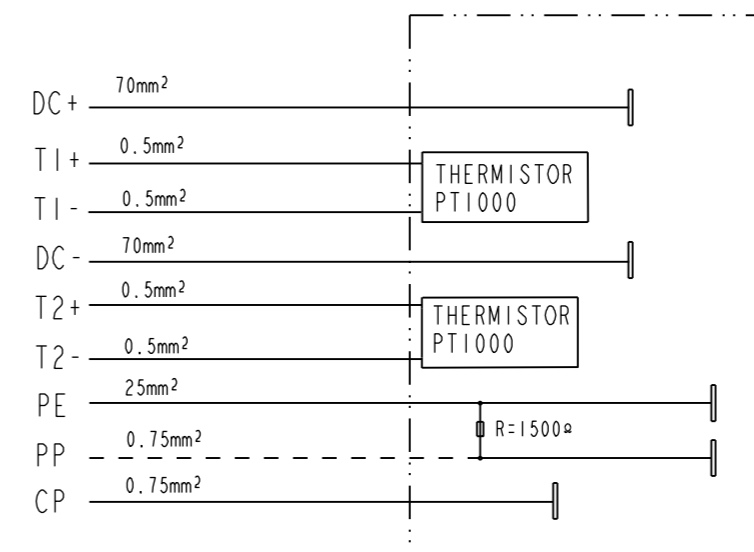


WHETHER THE PP TERMINAL LEADS OUT IS  
BASED ON THE WIRING HARNESS DRAWING

HVCOCMTR8PF200AL0000-BOM LIST

20	P01BM0166502	SIGNAL TERMINAL-PP	1		△3
19	C210006857	1500 RESISTANCE	1		
18	C210006862	PT 1000	2		
17	C2000068611	END COVER	1		
16	P01BM02230	CABLE FIXED	1		
15	C210002130	M4X14	2		
14	P01BR00302	CABLE SEALING RING	1		
13	P01BP00828B	PLUG SHELL	1		
12	P01DR00254	DC SEALING RING	2		
11	P02B00034404	DC TERMINAL	2		△2
10	P01BN01172	8MM SPRING	2		
9	P01BP00827	PIN HOLDER	1		
8	P01BR00695	PE SEALING RING	1		
7	C270007404	SIGNAL SEALING RING	2		
6	P01BM0166501	SIGNAL TERMINAL	1		△3
5	P02B00040202	PE TERMINAL	1		
4	P01BN01495	6MM SPRING	1		
3	P01BR00632	SEALING RING	1		
2	P01BP00826	HOUSING	1		
1	C210006300	ST2.9X18	8		
NO	P/N	DESCRIPTION	QUANTITY	note	

TERMINAL MODE OF CONNECTION:  
(Cable connections refer to wiring harness drawings)



WHETHER THE PP TERMINAL LEADS OUT IS  
BASED ON THE WIRING HARNESS DRAWING

SIZE	DWG NO.	REV
A3	C-HVCOCMTR8PFXXXAL0000	3
SCALE: 1:2		SHEET 5 OF 10

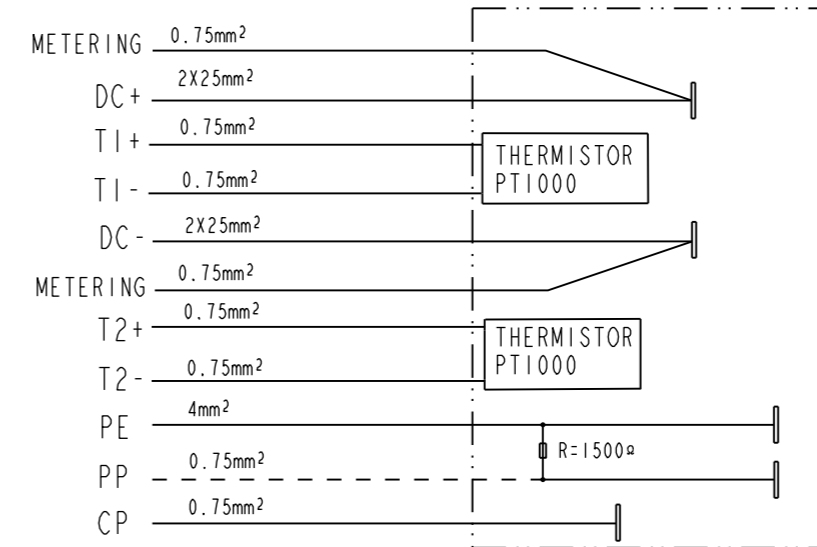
C-HVCOCMTR8PFXXXAL0000

C-HVCOCMTR8PFXXXAL0000

HVCOCMTR8PF200AML0000-BOM LIST

20	P01BM0166502	SIGNAL TERMINAL-PP	1		△3
19	C210006857	1500 RESISTANCE	1		
18	C210006862	PT 1000	2		
17	P01BM0170501	END COVER	1		
16	P01BM0170601	CABLE FIXED	1		
15	C210002130	M4X14	2		
14	P01BR00665	CABLE SEALING RING	1		
13	P01BP00828B	PLUG SHELL	1		
12	P01DR00254	DC SEALING RING	2		
11	P02B00034403	DC TERMINAL	2		△2
10	P01BN01172	8MM SPRING	2		
9	P01BP00827	PIN HOLDER	1		
8	P01BR00695	PE SEALING RING	1		
7	C270007404	SIGNAL SEALING RING	2		
6	P01BM0166501	SIGNAL TERMINAL	1		△3
5	P02B00040206	PE TERMINAL	1		
4	P01BN01495	6MM SPRING	1		
3	P01BR00632	SEALING RING	1		
2	P01BP00826	HOUSING	1		
1	C210006300	ST2.9X18	8		
NO	P/N	DESCRIPTION	QUANTITY	note	

TERMINAL MODE OF CONNECTION:  
(Cable connections refer to wiring harness drawings)

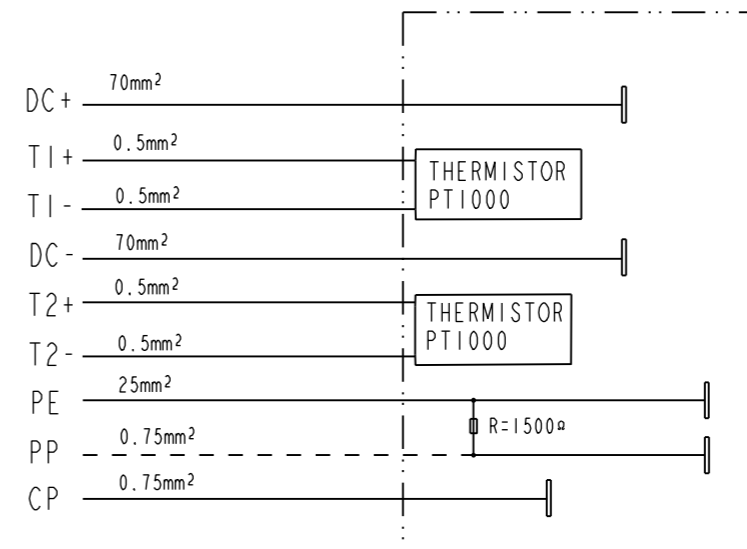


WHETHER THE PP TERMINAL LEADS OUT IS  
BASED ON THE WIRING HARNESS DRAWING

HVCOCMTR8PF250AL0000-BOM LIST

20	P01BM0166502	SIGNAL TERMINAL-PP	1		△3
19	C210006857	1500 RESISTANCE	1		
18	C210006862	PT 1000	2		
17	C2000068611	END COVER	1		
16	P01BM02230	CABLE FIXED	1		
15	C210002130	M4X14	2		
14	P01BR00302	CABLE SEALING RING	1		
13	P01BP00828B	PLUG SHELL	1		
12	P01DR00254	DC SEALING RING	2		
11	P02B00034404	DC TERMINAL	2		△2
10	P01BN01172	8MM SPRING	2		
9	P01BP00827	PIN HOLDER	1		
8	P01BR00695	PE SEALING RING	1		
7	C270007404	SIGNAL SEALING RING	2		
6	P01BM0166501	SIGNAL TERMINAL	1		△3
5	P02B00040202	PE TERMINAL	1		
4	P01BN01495	6MM SPRING	1		
3	P01BR00632	SEALING RING	1		
2	P01BP00826	HOUSING	1		
1	C210006300	ST2.9X18	8		
NO	P/N	DESCRIPTION	QUANTITY	note	

TERMINAL MODE OF CONNECTION:  
(Cable connections refer to wiring harness drawings)



WHETHER THE PP TERMINAL LEADS OUT IS  
BASED ON THE WIRING HARNESS DRAWING

SIZE	DWG NO.	REV
A3	C-HVCOCMTR8PFXXXAL0000	3
SCALE: 1:2		SHEET 6 OF 10

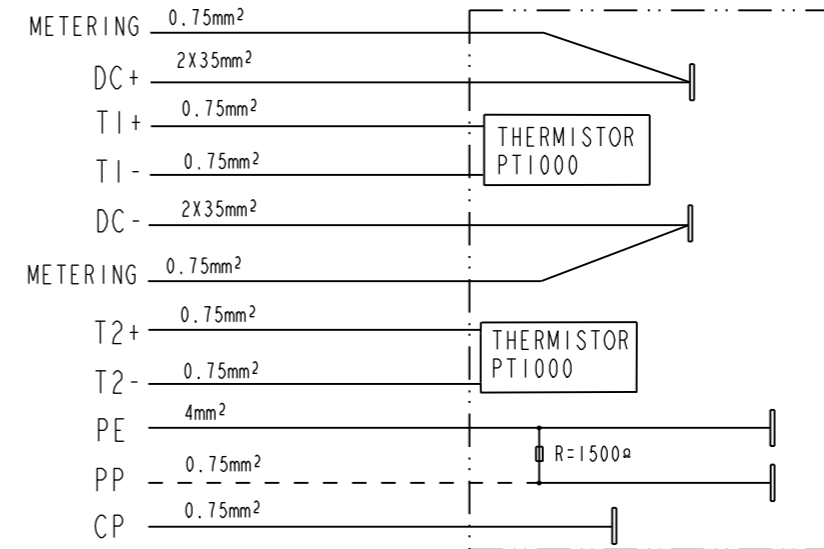
C-HVCOCMTR8PFXXXAL0000

C-HVCOCMTR8PFXXXAL0000

HVCOCMTR8PF250AML0000-BOM LIST

20	P01BM0166502	SIGNAL TERMINAL-PP	1		△3
19	C210006857	1500 RESISTANCE	1		
18	C210006862	PT 1000	2		
17	C2000068612	END COVER	1		
16	C2000068622	CABLE FIXED	1		
15	C210002130	M4X14	2		
14	P01BR00666	CABLE SEALING RING	1		
13	P01BP00828B	PLUG SHELL	1		
12	P01DR00254	DC SEALING RING	2		
11	P02B00034404	DC TERMINAL	2		△2
10	P01BN01172	8MM SPRING	2		
9	P01BP00827	PIN HOLDER	1		
8	P01BR00695	PE SEALING RING	1		
7	C270007404	SIGNAL SEALING RING	2		
6	P01BM0166501	SIGNAL TERMINAL	1		△3
5	P02B00040206	PE TERMINAL	1		
4	P01BN01495	6MM SPRING	1		
3	P01BR00632	SEALING RING	1		
2	P01BP00826	HOUSING	1		
1	C210006300	ST2.9X18	8		
NO	P/N	DESCRIPTION	QUANTITY	note	

TERMINAL MODE OF CONNECTION:  
(Cable connections refer to wiring harness drawings)

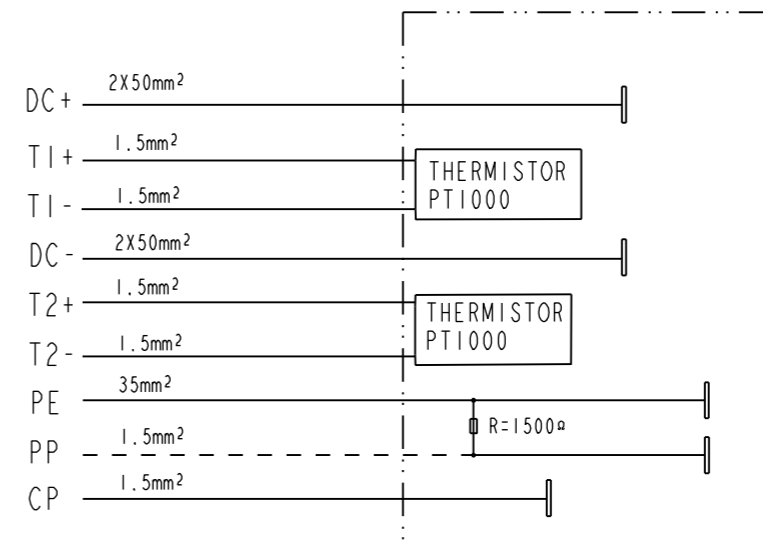


WHETHER THE PP TERMINAL LEADS OUT IS  
BASED ON THE WIRING HARNESS DRAWING

HVCOCMTR8PF300AL0000-BOM LIST

20	P01BM0166502	SIGNAL TERMINAL-PP	1		△3
19	C210006857	1500 RESISTANCE	1		
18	C210006862	PT 1000	2		
17	C2000068615	END COVER	1		
16	C2000068625	CABLE FIXED	1		
15	C210002130	M4X14	2		
14	P01BR00293	CABLE SEALING RING	1		
13	P01BP00828	PLUG SHELL	1		
12	P01DR00254	DC SEALING RING	2		
11	P02B00034405	DC TERMINAL	2		△2
10	P01BN01172	8MM SPRING	2		
9	P01BP00827	PIN HOLDER	1		
8	P01BR00695	PE SEALING RING	1		
7	C270007404	SIGNAL SEALING RING	2		
6	P01BM0166501	SIGNAL TERMINAL	1		△3
5	P02B00040201	PE TERMINAL	1		
4	P01BN01495	6MM SPRING	1		
3	P01BR00632	SEALING RING	1		
2	P01BP00826	HOUSING	1		
1	C210006300	ST2.9X18	8		
NO	P/N	DESCRIPTION	QUANTITY	note	

TERMINAL MODE OF CONNECTION:  
(Cable connections refer to wiring harness drawings)



WHETHER THE PP TERMINAL LEADS OUT IS  
BASED ON THE WIRING HARNESS DRAWING

SIZE	DWG NO.	REV
A3	C-HVCOCMTR8PFXXXAL0000	3
SCALE: 1:2		SHEET 7 OF 10

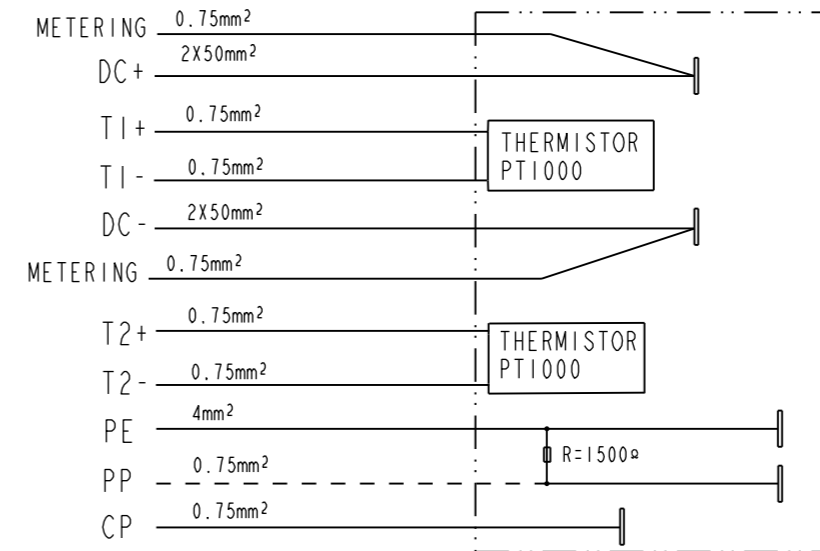
C-HVCOCMTR8PFXXXAL0000

C-HVCOCMTR8PFXXXAL0000

HVCOCMTR8PF300AML0000-BOM LIST

20	P01BM0166502	SIGNAL TERMINAL-PP	1		△3
19	C210006857	1500 RESISTANCE	1		
18	C210006862	PT 1000	2		
17	C2000068611	END COVER	1		
16	C2000068621	CABLE FIXED	1		
15	C210002130	M4X14	2		
14	P01BR00667	CABLE SEALING RING	1		
13	P01BP00828B	PLUG SHELL	1		
12	P01DR00254	DC SEALING RING	2		
11	P02B00034405	DC TERMINAL	2		△2
10	P01BN01172	8MM SPRING	2		
9	P01BP00827	PIN HOLDER	1		
8	P01BR00695	PE SEALING RING	1		
7	C270007404	SIGNAL SEALING RING	2		
6	P01BM0166501	SIGNAL TERMINAL	1		△3
5	P02B00040206	PE TERMINAL	1		
4	P01BN01495	6MM SPRING	1		
3	P01BR00632	SEALING RING	1		
2	P01BP00826	HOUSING	1		
1	C210006300	ST2.9X18	8		
NO	P/N	DESCRIPTION	QUANTITY	note	

TERMINAL MODE OF CONNECTION:  
(Cable connections refer to wiring harness drawings)

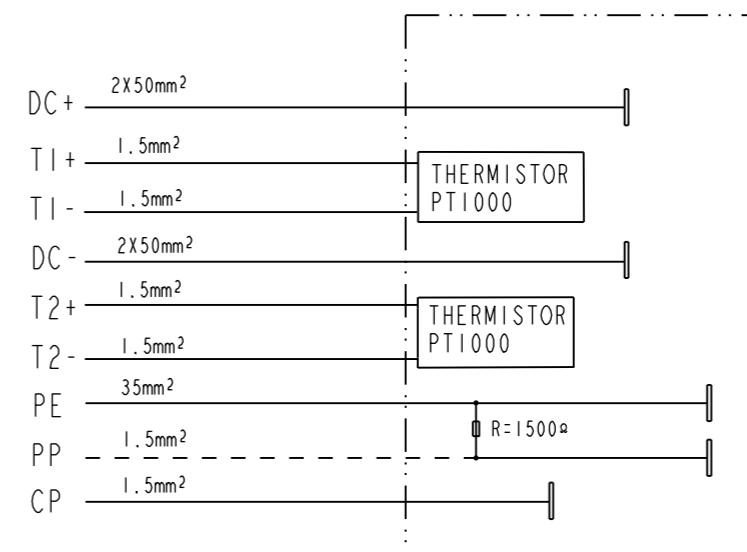


WHETHER THE PP TERMINAL LEADS OUT IS  
BASED ON THE WIRING HARNESS DRAWING

HVCOCMTR8PF350AL0000-BOM LIST

20	P01BM0166502	SIGNAL TERMINAL-PP	1		△3
19	C210006857	1500 RESISTANCE	1		
18	C210006862	PT 1000	2		
17	C2000068615	END COVER	1		
16	C2000068625	CABLE FIXED	1		
15	C210002130	M4X14	2		
14	P01BR00293	CABLE SEALING RING	1		
13	P01BP00828	PLUG SHELL	1		
12	P01DR00254	DC SEALING RING	2		
11	P02B00034405	DC TERMINAL	2		△2
10	P01BN01172	8MM SPRING	2		
9	P01BP00827	PIN HOLDER	1		
8	P01BR00695	PE SEALING RING	1		
7	C270007404	SIGNAL SEALING RING	2		
6	P01BM0166501	SIGNAL TERMINAL	1		△3
5	P02B00040201	PE TERMINAL	1		
4	P01BN01495	6MM SPRING	1		
3	P01BR00632	SEALING RING	1		
2	P01BP00826	HOUSING	1		
1	C210006300	ST2.9X18	8		
NO	P/N	DESCRIPTION	QUANTITY	note	

TERMINAL MODE OF CONNECTION:  
(Cable connections refer to wiring harness drawings)



WHETHER THE PP TERMINAL LEADS OUT IS  
BASED ON THE WIRING HARNESS DRAWING

SIZE	DWG NO.	REV
A3	C-HVCOCMTR8PFXXXAL0000	3
SCALE: 1:2		SHEET 8 OF 10

C-HVCOCMTR8PFXXXAL0000

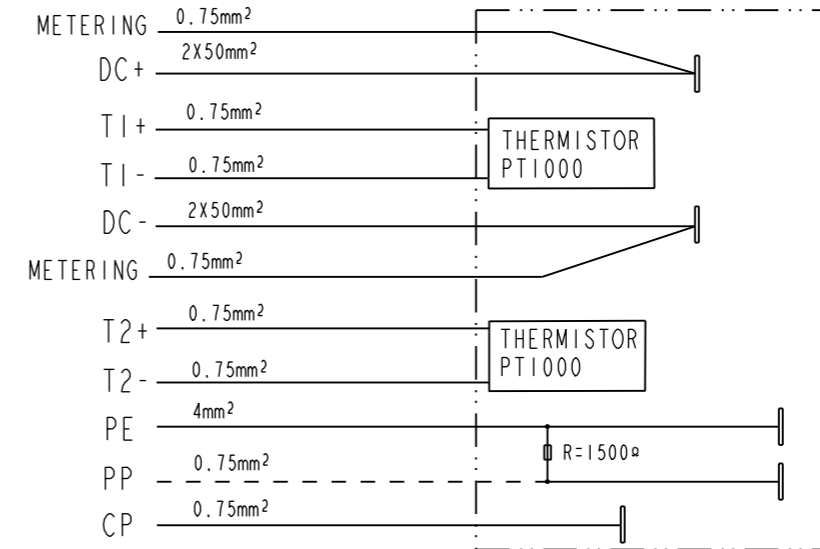
C-HVCOCMTR8PFXXXAL0000



HVCOCMTR8PF350AML0000-BOM LIST

20	P01BM0166502	SIGNAL TERMINAL-PP	1		△
19	C210006857	1500 RESISTANCE	1		
18	C210006862	PT 1000	2		
17	C2000068611	END COVER	1		
16	C2000068621	CABLE FIXED	1		
15	C210002130	M4X14	2		
14	P01BR00667	CABLE SEALING RING	1		
13	P01BP00828B	PLUG SHELL	1		
12	P01DR00254	DC SEALING RING	2		
11	P02B00034405	DC TERMINAL	2		△
10	P01BN01172	8MM SPRING	2		
9	P01BP00827	PIN HOLDER	1		
8	P01BR00695	PE SEALING RING	1		
7	C270007404	SIGNAL SEALING RING	2		
6	P01BM0166501	SIGNAL TERMINAL	1		△
5	P02B00040206	PE TERMINAL	1		
4	P01BN01495	6MM SPRING	1		
3	P01BR00632	SEALING RING	1		
2	P01BP00826	HOUSING	1		
1	C210006300	ST2.9X18	8		
NO	P/N	DESCRIPTION	QUANTITY	note	

TERMINAL MODE OF CONNECTION:  
(Cable connections refer to wiring harness drawings)

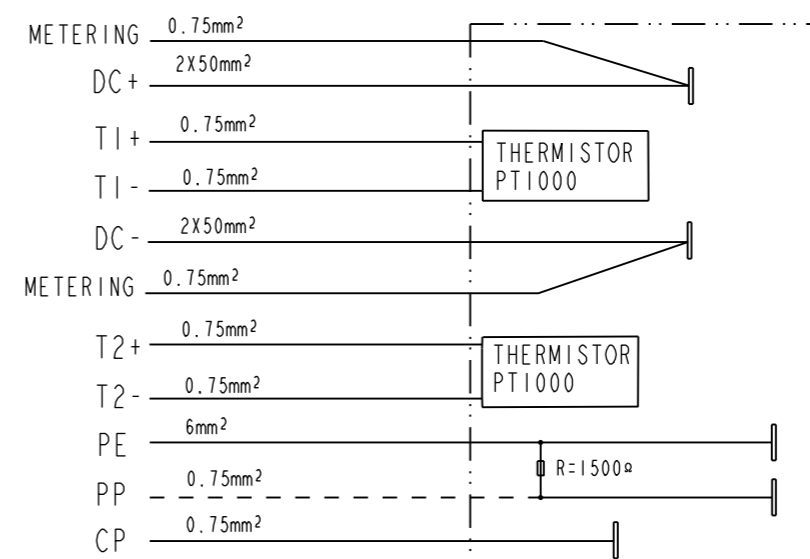


WHETHER THE PP TERMINAL LEADS OUT IS  
BASED ON THE WIRING HARNESS DRAWING

HVCOCMTR8PF380AML0000-BOM LIST

20	P01BM0166502	SIGNAL TERMINAL-PP	1		△
19	C210006857	1500 RESISTANCE	1		
18	C210006862	PT 1000	2		
17	C2000068611	END COVER	1		
16	C2000068621	CABLE FIXED	1		
15	C210002130	M4X14	2		
14	P01BR00302	CABLE SEALING RING	1		
13	P01BP00828B	PLUG SHELL	1		
12	P01DR00254	DC SEALING RING	2		
11	P02B00034407	DC TERMINAL	2		△
10	P01BN01172	8MM SPRING	2		
9	P01BP00827	PIN HOLDER	1		
8	P01BR00695	PE SEALING RING	1		
7	C270007404	SIGNAL SEALING RING	2		
6	P01BM0166501	SIGNAL TERMINAL	1		△
5	P02B00040205	PE TERMINAL	1		
4	P01BN01495	6MM SPRING	1		
3	P01BR00632	SEALING RING	1		
2	P01BP00826	HOUSING	1		
1	C210006300	ST2.9X18	8		
NO	P/N	DESCRIPTION	QUANTITY	note	

TERMINAL MODE OF CONNECTION:  
(Cable connections refer to wiring harness drawings)



WHETHER THE PP TERMINAL LEADS OUT IS  
BASED ON THE WIRING HARNESS DRAWING

SIZE	DWG NO.	REV
A3	C-HVCOCMTR8PFXXXAL0000	3
SCALE: 1:2		SHEET 9 OF 10

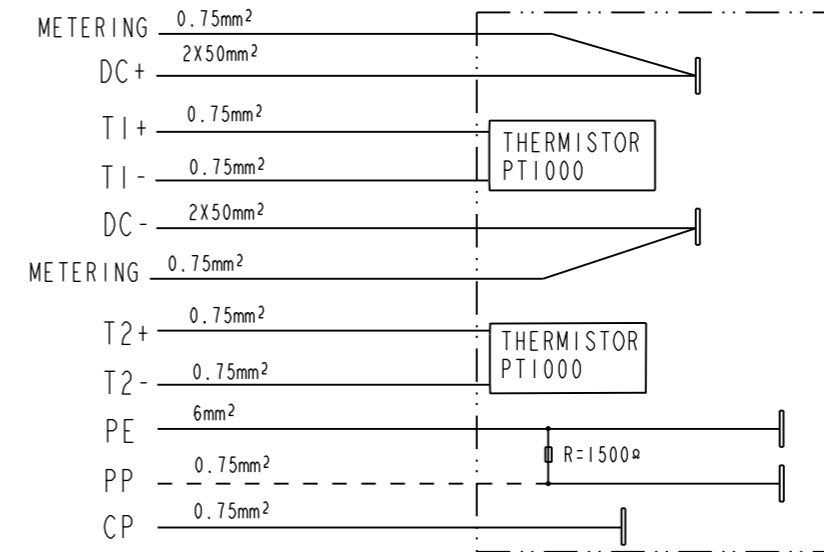
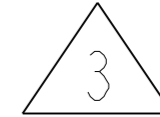
C-HVCOCMTR8PFXXXAL0000

C-HVCOCMTR8PFXXXAL0000

HVCOCMTR8PF400AML0000-BOM LIST

20	P0IBM0166502	SIGNAL TERMINAL-PP	1	
19	C210006857	1500 RESISTANCE	1	
18	C210006862	PT 1000	2	
17	C2000068615	END COVER	1	
16	C2000068625	CABLE FIXED	1	
15	C210002130	M4X14	2	
14	P0IBR00293	CABLE SEALING RING	1	
13	P0IBP00828	PLUG SHELL	1	
12	C270005046	DC SEALING RING	2	
11	P02B000764	DC TERMINAL	2	
10	P0IBN01615	8MM SPRING	2	
9	P0IBP00827	PIN HOLDER	1	
8	P0IBR00695	PE SEALING RING	1	
7	C270007404	SIGNAL SEALING RING	2	
6	P0IBM0166501	SIGNAL TERMINAL	1	
5	P02B00040205	PE TERMINAL	1	
4	P0IBN01495	6MM SPRING	1	
3	P0IBR00632	SEALING RING	1	
2	P0IBP0082601	HOUSING	1	
1	C210006300	ST2.9X18	8	
NO	P/N	DESCRIPTION	QUANTITY	note

TERMINAL MODE OF CONNECTION:  
(Cable connections refer to wiring harness drawings)



WHETHER THE PP TERMINAL LEADS OUT IS  
BASED ON THE WIRING HARNESS DRAWING

C-HVCOCMTR8PFXXXAL0000

C-HVCOCMTR8PFXXXAL0000

安费诺精密连接器(深圳)有限公司  
Amphenol PCD Shenzhen  
受控文件  
2024年9月27日

SIZE	DWG NO.	REV
A3	C-HVCOCMTR8PFXXXAL0000	3
SCALE: 1:2		SHEET 10 OF 10