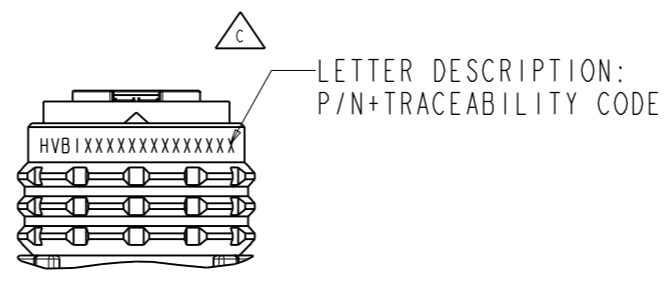
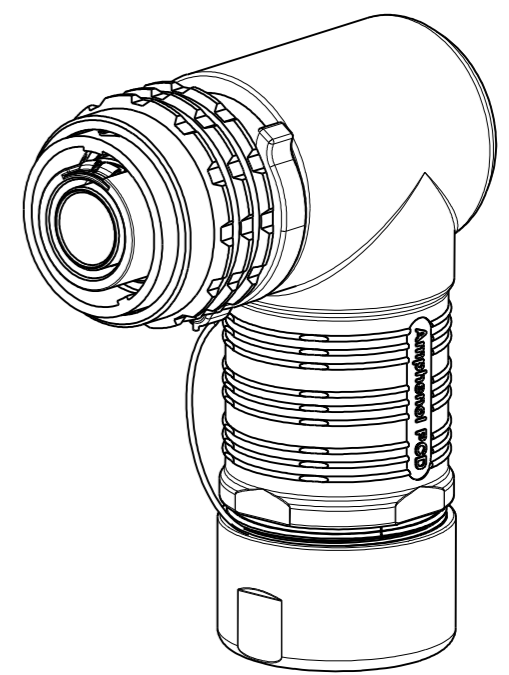
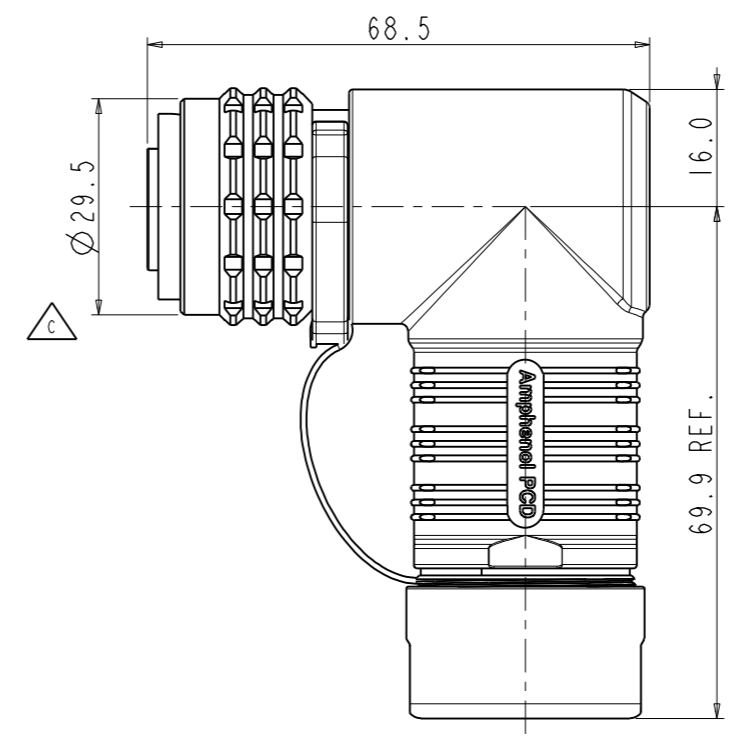
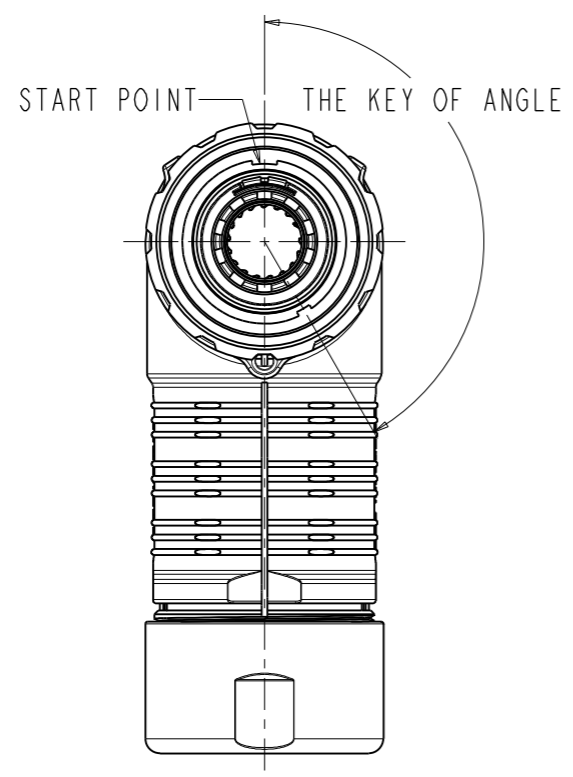


REV	ECN	DESCRIPTION	DATE	MODIFIED
B		UPDATE P/N	2018.07.12	ROY.QU
C	R4986W	UPDATED DRAWING	2020.12.19	LEON.YANG

Amphenol PCD SZ
ORIGINAL
PDF Format
R&D



TECHNICAL DATA		
CURRENT RATE (50MM ² CABLE)	180A @ AMBIENT 70°C	+
CURRENT RATE (70MM ² CABLE)	250A @ AMBIENT 70°C	+
CURRENT RATE (0.5MM ² CABLE)	5A @ AMBIENT 70°C	+
RATING VOLTAGE (OVERVOLTAGE CATEGORY II POLLUTION DEGREE 2)	1000V DC	+
OPERATING TEMPERATURE	-40~125°C	
DIELECTRIC WITHSTANDING VOLTAGE	POWER CONTACT:3000V AC(RMS)	+
	HVIL CONTACT:660 AC(RMS)	+
INSULATION RESISTANCE	200MΩ MIN. 25°C, NO CABLE	+
DURABILITY	50 CYCLES	⊙
SHIELDING	YES	
WATERPROOF (MATED CONDITION)	IP 67, IP6K9K	+
PROTECTION LEVEL	IP2XB	+
AMBIENT TEMPERATURE	-40~70°C	
RoHS COMPLIANCE	YES	+

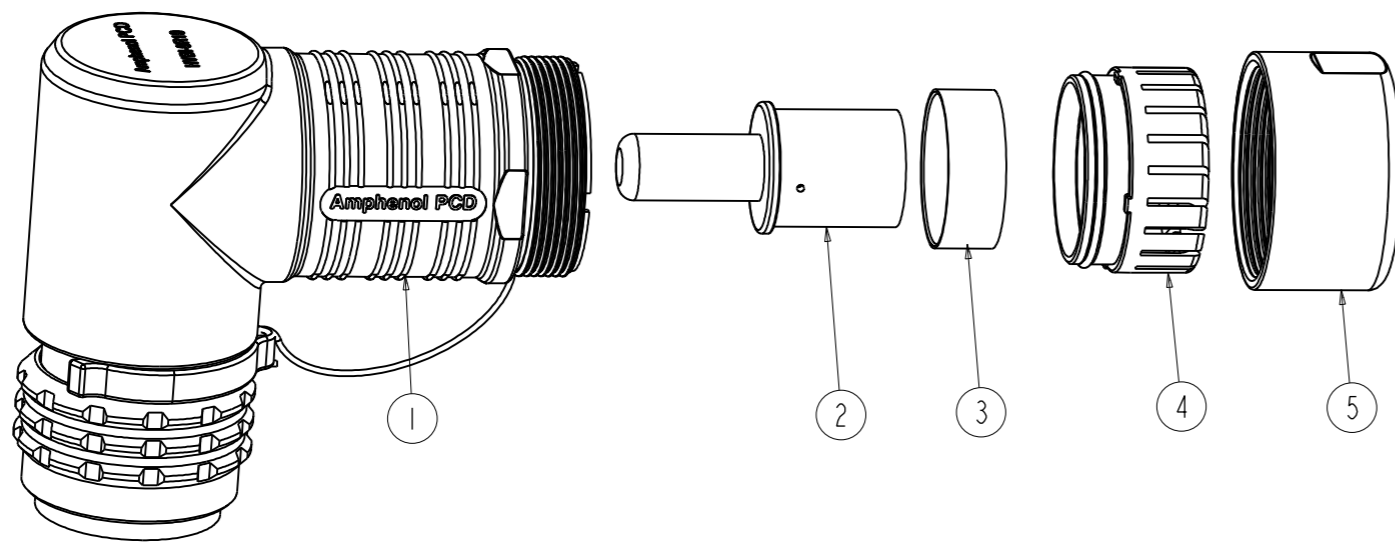
△
△
△

DIMENSIONS	TOLERANCES	PROJECTION	TITLE		
ANSI Y14.5M UNITS: MM Pro/E FILE	.X ±0.5 .XX ±0.05 ANGLES ±2°		Amphenol PCD Shenzhen		
ORIGINAL	THIS DOCUMENT CONTAINS PROPRIETARY INFORMATION WHICH IS THE CONFIDENTIAL PROPERTY OF Amphenol PCD Shenzhen Co. Ltd Amphenol PCD Shenzhen Co. Ltd RESERVES THE RIGHT TO CLARIFY THIS DRAWING	ENGR ROY.QU 2018.07.12	SIZE A3	DWG NO. C-HVBI905R10XFCXXXFGXXL0000	REV C
		CHKD <i>Senboas</i>	APPD <i>Derek</i>	CODE: 58982	SCALE: 1:1

+: CRITICAL CHARACTERISTICS
⊙: IMPORTANT CHARACTERISTICS

C-HVBI905R10XFCXXXFGXXL0000

C-HVBI905R10XFCXXXFGXXL0000



HOW TO ORDER:
HVBI905R10-XFC-XXX-FG-XX-L0000

		△ C
HVIL CODE:	ANGLE AND COLOR:	CABLE OD:
A: WITH HVIL	ARD: 30°, RED	50: 50MM ² CABLE OD=17.0±0.5
B: WITHOUT HVIL	BBK: 60°, BLACK	50N: 50MM ² CABLE OD=16.4±0.4
	CYL: 90°, YELLOW	70: 70MM ² CABLE OD=19.5±0.5
	DGR: 120°, GREEN	70N: 70MM ² CABLE OD=18.9±0.4
	EBL: 150°, BLUE	
	FPU: 180°, PURPLE	

TABLE 1

CODE	DESCRIPTION	2# PART	3# PART	4# PART
50	50MM ² CABLE OD=17.0±0.5	C4200050961	P03BM00035	C427005073
50N	50MM ² CABLE OD=16.4±0.4	C4200050961	P03BM00117	C427005073
70	70MM ² CABLE OD=19.5±0.5	C420005096	P03BM00040	C427005070
70N	70MM ² CABLE OD=18.9±0.4	C420005096	P03BM00118	C427005070

HVBI905R10XFCXXXFGXXL0000	5	C200005078	1
	4	SEE TABLE 1	1
	3	SEE TABLE 1	1
	2	SEE TABLE 1	1
	1	HVBI905R10XFCXXX	1
ASSEMBLY P/N	ITEM	COMPONENT P/N	Q'TY

C-HVBI905R10XFCXXXFGXXL0000

C-HVBI905R10XFCXXXFGXXL0000