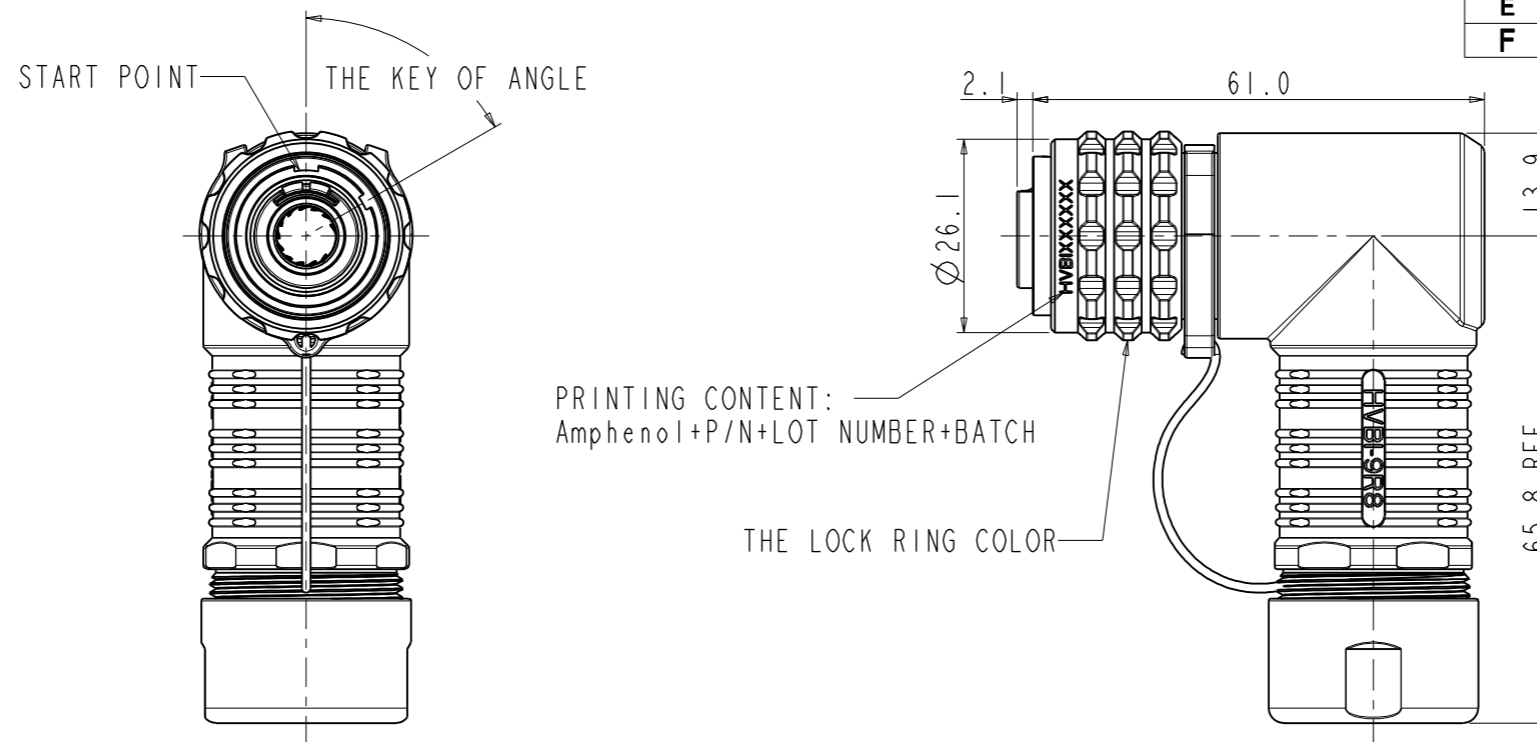


受控文件

2021年8月27日

ORIGINAL
PDF Format
R&D

REV	ECN	DESCRIPTION	DATE	MODIFIED
D	C2924	ADD COMPONENT P/N	2018.06.07	
E	R5155W	UPDATED DRAWING	2021.02.04	
F	C5116N	UPDATE THE SEAL STRUCTURE	2021.08.16	

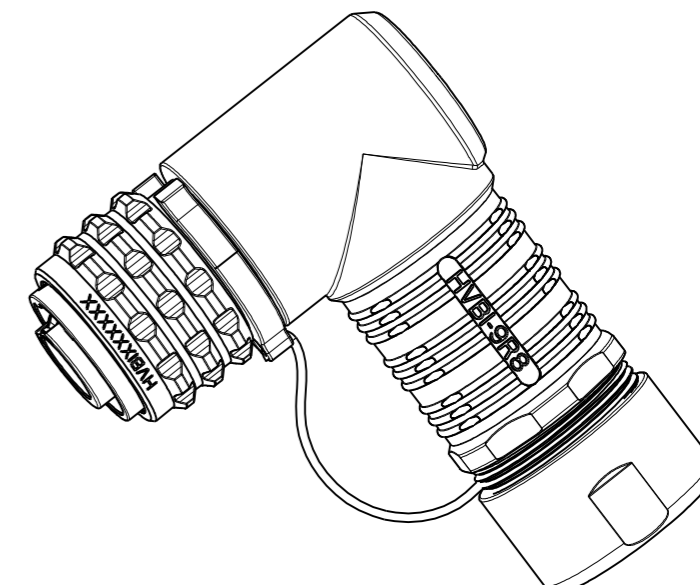


TECHNICAL DATA

CURRENT RATE (50MM ² SHIELD CABLE)	180A @ AMBIENT 70°C	+
CURRENT RATE (35MM ² SHIELD CABLE)	150A @ AMBIENT 70°C	+
CURRENT RATE (0.5MM ² CABLE)	5A @ AMBIENT 70°C	+
RATING VOLTAGE (OVERVOLTAGE CATEGORY II POLLUTION DEGREE 2)	1000V DC	+
OPERATING TEMPERATURE	-40~125°C	
DIELECTRIC WITH STANDING VOLTAGE	POWER CONTACT 3000V AC(RMS)	+
	HVIL CONTACT 660V AC(RMS)	
INSULATION RESISTANCE	200MΩ MIN. 25°C, NO CABLE	+
DURABILITY	50 CYCLES	⊙
SHIELDING	YES	
WATERPROOF (MATED CONDITION)	IP 67, IP6K9K	+
PROTECTION LEVEL	IP2XB	+
AMBIENT TEMPERATURE	-40~70°C	
RoHS COMPLIANCE	YES	+

DIMENSIONS	TOLERANCES	PROJECTION	TITLE				
ANSI Y14.5M	.X ±0.5		Amphenol PCD Shenzhen		HVBI-9R8 PLUG		
UNITS: MM	.XX ±0.05		ENGR	2018.06.07			
Pro/E FILE	ANGLES ±2°		CHKD	APPD	SIZE	DWG NO.	
ORIGINAL	THIS DOCUMENT CONTAINS PROPRIETARY INFORMATION WHICH IS THE CONFIDENTIAL PROPERTY OF Amphenol PCD Shenzhen Co. Ltd Amphenol PCD Shenzhen Co. Ltd RESERVES THE RIGHT TO CLARIFY THIS DRAWING				A3	C-HVBI903R8XFCXXXFGXXL0000	REV
			CODE: 58982	SCALE: 1:1	SHEET 1 OF 2		

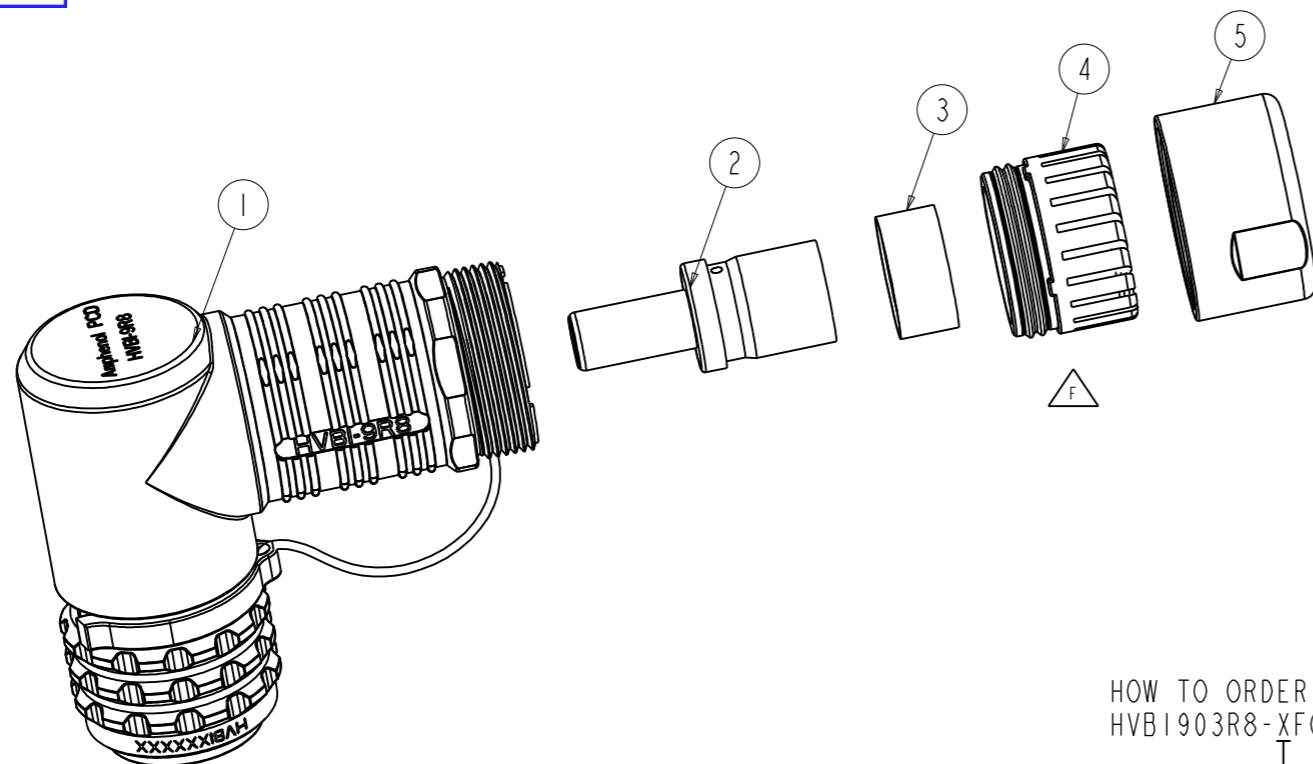
"+" CRITICAL CHARACTERISTICS
"⊙" IMPORTANT CHARACTERISTICS



C-HVBI903R8XFCXXXFGXXL0000

C-HVBI903R8XFCXXXFGXXL0000

C-HVBI903R8XFCXXXFGXXL0000



HOW TO ORDER:
HVBI903R8-XFC-XXX-FG-XX-L0000

HVIL CODE:
A: WITH HVIL
B: WITHOUT HVIL

ANGLE AND COLOR:
ARD: 30°, RED
BBK: 60°, BLACK
CYL: 90°, YELLOW
DGR: 120°, GREEN
EBL: 150°, BLUE
FPU: 180°, PURPLE

CABLE OD:
35: 35MM^2 SHIELD CABLE (OD: 14.7±0.5)
35N: 35MM^2 SHIELD CABLE (OD: 13.7±0.5)
50: 50MM^2 SHIELD CABLE (OD: 17.0±0.5)
50N: 50MM^2 SHIELD CABLE (OD: 16.4±0.4)

HVBI903R8XFCXXXFGXXL0000	5	C200005214	1
	4	C427005065	1
	3	SEE TABLE I	1
	2	SEE TABLE I	1
	1	HVBI903R8XFCXXX	1
ASSEMBLY P/N	ITEM	COMPONENT P/N	Q'TY

TABLE I

CODE	DESCRIPTION	2# PART	3# PART
35	35MM^2 SHIELD CABLE	C420005217I	C420005251I
35N	35MM^2 SHIELD CABLE	C420005217I	P03BM00081
50	50MM^2 SHIELD CABLE	C420005217	P03BM00035
50N	50MM^2 SHIELD CABLE	C420005217	P03BM00117

C-HVBI903R8XFCXXXFGXXL0000

C-HVBI903R8XFCXXXFGXXL0000