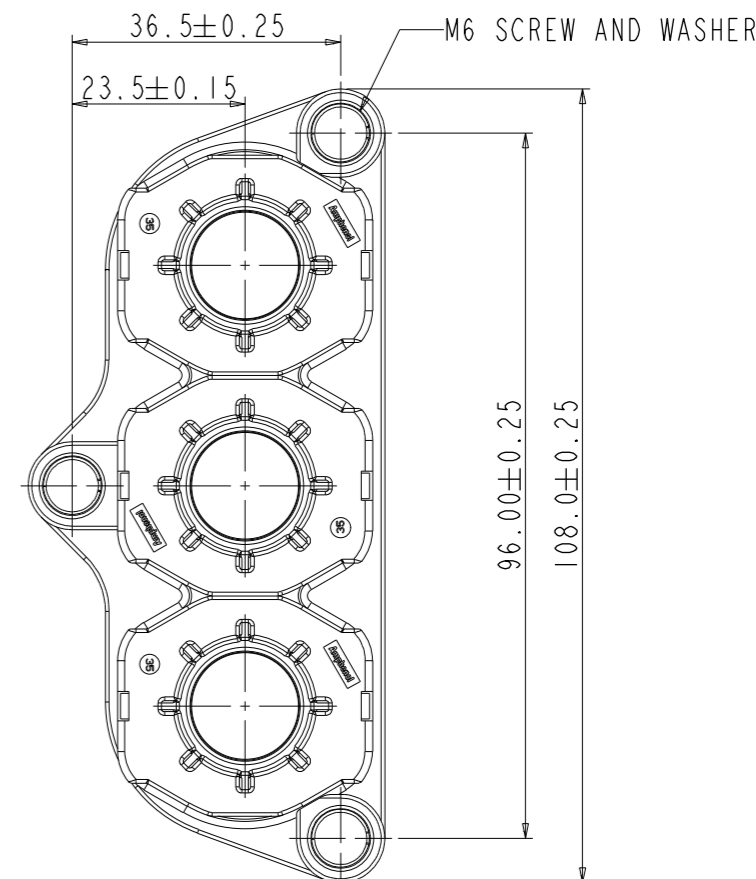
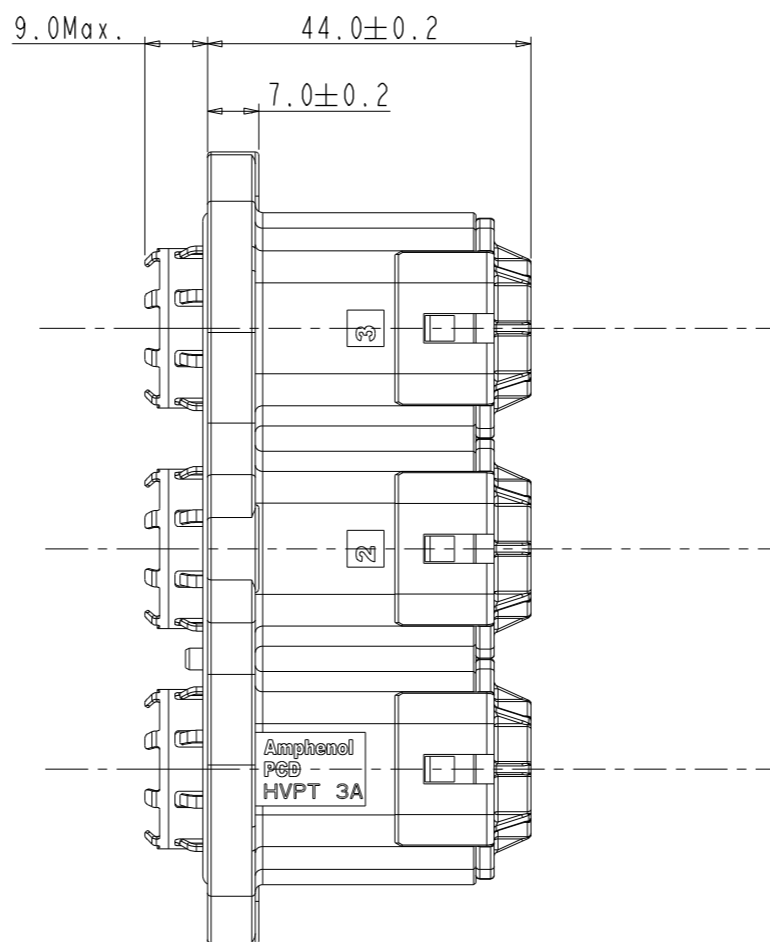
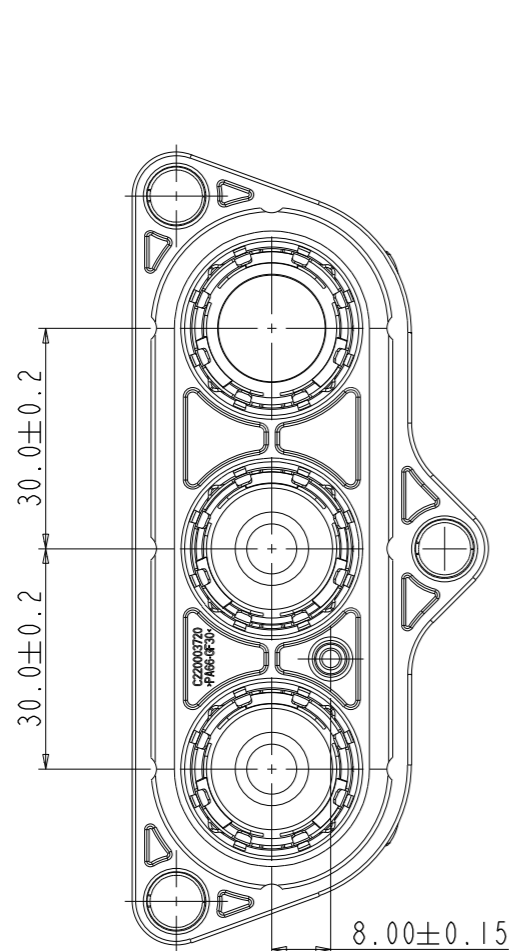


Amphenol PCDSZ  
ORIGINAL  
PDF Format  
R&D

REV	ECN	DESCRIPTION	DATE	MODIFIED
3		PRE-RELEASE	2016.04.08	
4	C3168	ADD EXPLOSIVE VIEW	2019.02.25	
5	R3242N	UPDATE TECHNICAL DATA	2019.04.18	



安费诺精密连接器(深圳)有限公司  
Amphenol PCD Shenzhen

受控文件

2019年5月28日

**HVPT 3A XX**

25: FOR 25mm<sup>2</sup> Shielded WIRE;OD = 11.9 ± 0.4mm  
 35: FOR 35mm<sup>2</sup> Shielded WIRE;OD = 14.2 ± 0.4mm  
 50: FOR 50mm<sup>2</sup> Shielded WIRE;OD = 16.5 ± 0.4mm  
 70: FOR 70mm<sup>2</sup> Shielded WIRE;OD = 19.0 ± 0.4mm

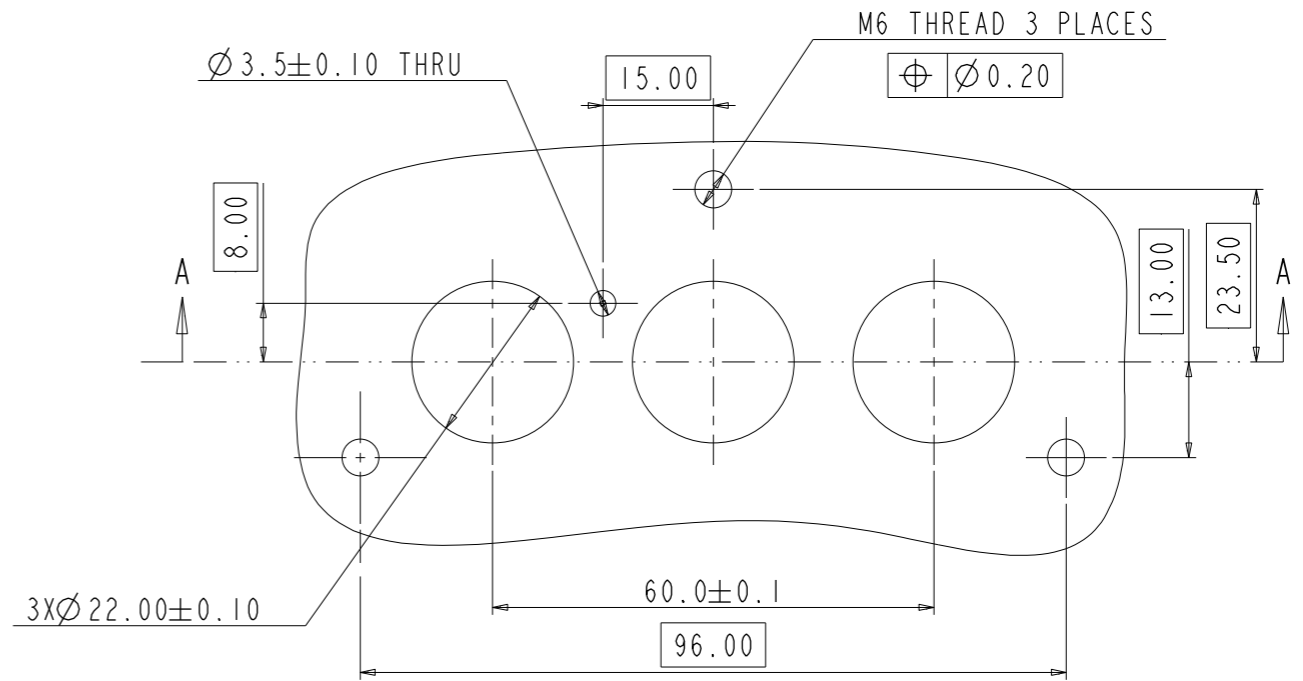
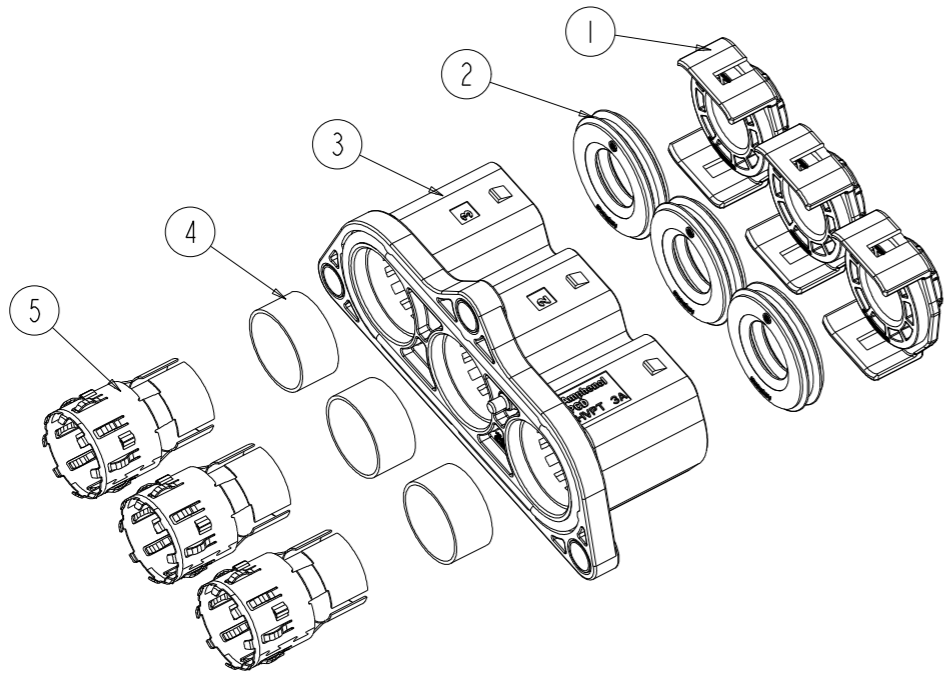
**TECHNICAL DATA**

OPERATING TEMPERATURE	-40 ~ 125 °C
SHIELDING	YES
WATERPROOF(MATED CONDITION)	IP67&IP69K
AMBIENT TEMPERATURE	-40 ~ 70 °C

DIMENSIONS	TOLERANCES	PROJECTION	TITLE		
ANSI Y14.5M UNITS: MM Pro/E FILE	.X ±0.5 .XX ±0.05 ANGLES ±0.5°		<p><b>HVPT 3X XX</b> <b>PASS-THRU CABLE SEAL GLAND</b></p>		
<p>ORIGINAL NOT FOR CUSTOMER DISTRIBUTION</p>	<p>THIS DOCUMENT CONTAINS PROPRIETARY INFORMATION WHICH IS THE CONFIDENTIAL PROPERTY OF AMPHENOL PCD SHENZHEN</p>	<p>ENGR Apr-08-16</p> <p>CHKD</p> <p>APPD</p>			
			CODE: 58982	SCALE: 1:1	SHEET 1 OF 2

C-HVPT3XXX

C-HVPT3XXX



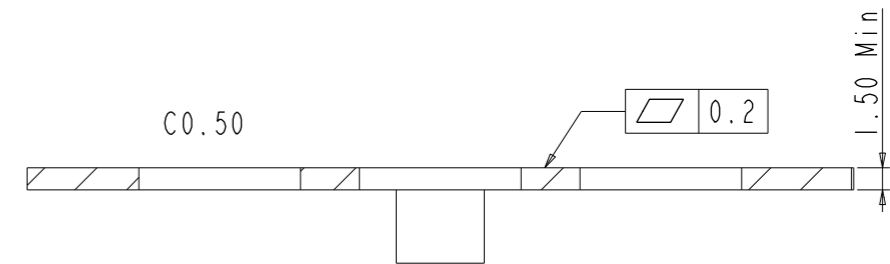
安费诺精密连接器(深圳)有限公司  
Amphenol PCD Shenzhen  
受控文件  
2019年5月28日

HVPT3A25	5	C310003642	3	SHIELDING
	4	C2000036633	3	OUT FERRULE
	3	HVPT3A	1	HOUSING
	2	C2700036043	3	CABLE SEAL
	1	C2200037253	3	BACK CAP
	ITEM	P/N	QTY	DESCRIPTION

HVPT3A35	5	C310003643	3	SHIELDING
	4	C2000036632	3	OUT FERRULE
	3	HVPT3A	1	HOUSING
	2	C2700036042	3	CABLE SEAL
	1	C2200037252	3	BACK CAP
	ITEM	P/N	QTY	DESCRIPTION

HVPT3A50	5	C310003644	3	SHIELDING
	4	C2000036631	3	OUT FERRULE
	3	HVPT3A	1	HOUSING
	2	C2700036041	3	CABLE SEAL
	1	C2200037251	3	BACK CAP
	ITEM	P/N	QTY	DESCRIPTION

HVPT3A70	5	C310003645	3	SHIELDING
	4	C2000036630	3	OUT FERRULE
	3	HVPT3A	1	HOUSING
	2	C2700036044	3	CABLE SEAL
	1	C2200037254	3	BACK CAP
	ITEM	P/N	QTY	DESCRIPTION



SECTION A-A

SIZE <b>A3</b>	DWG NO. <b>C-HVPT3XXX</b>	REV <b>5</b>
CODE: 58982	SCALE: 1:2	SHEET 2 OF 2