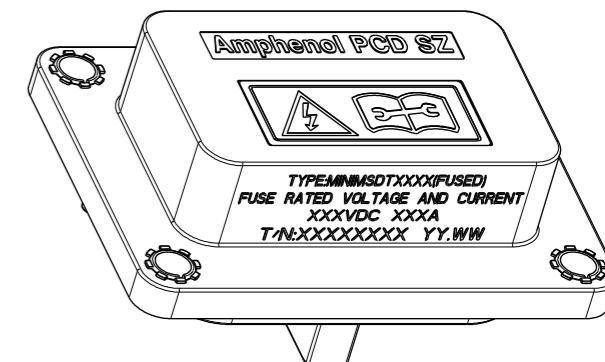
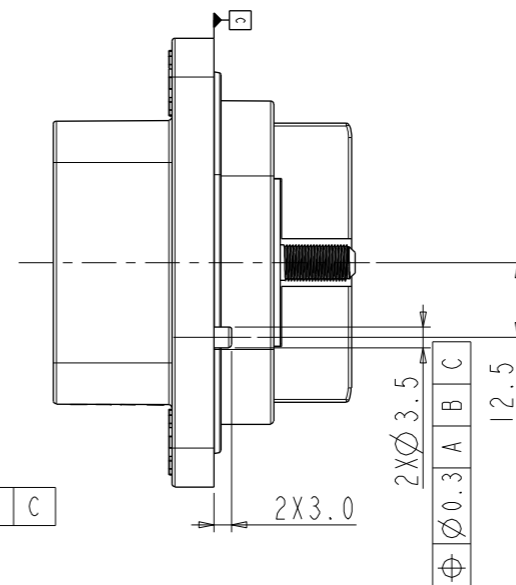
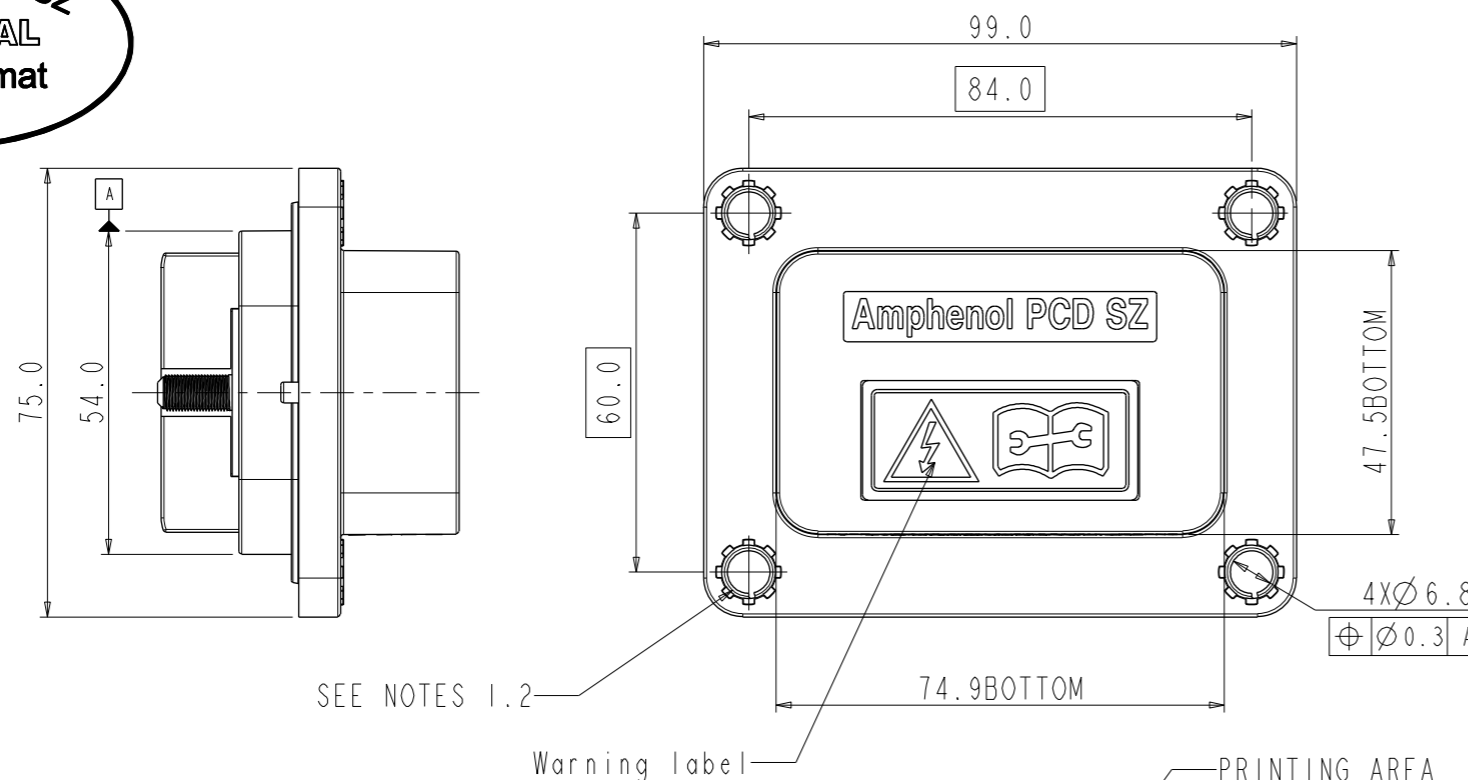


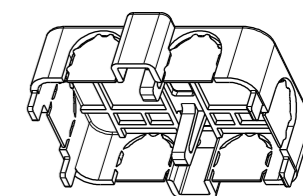
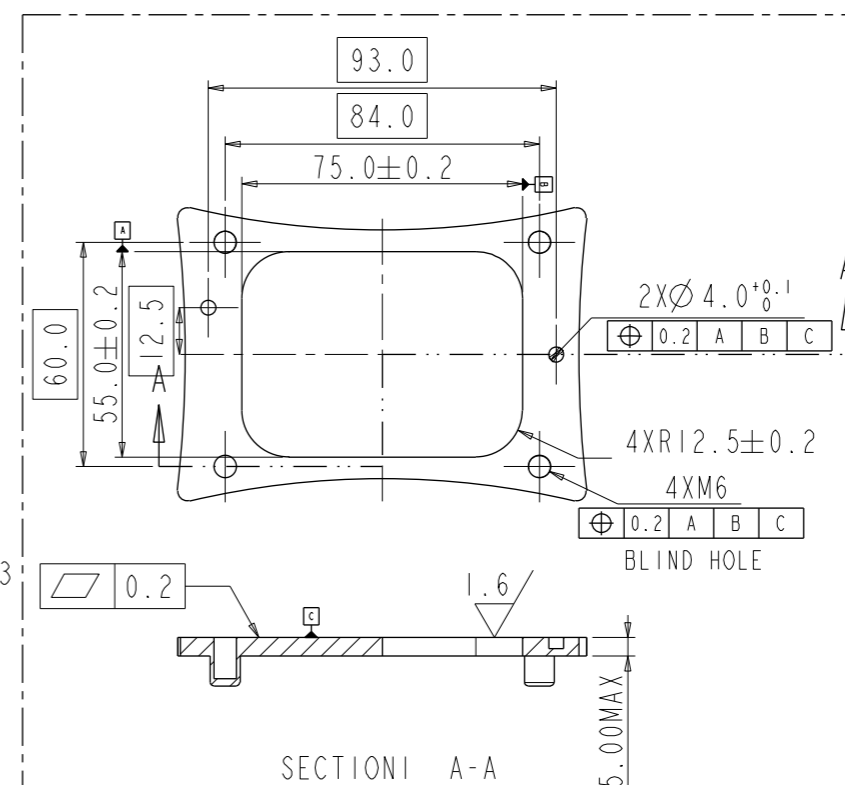
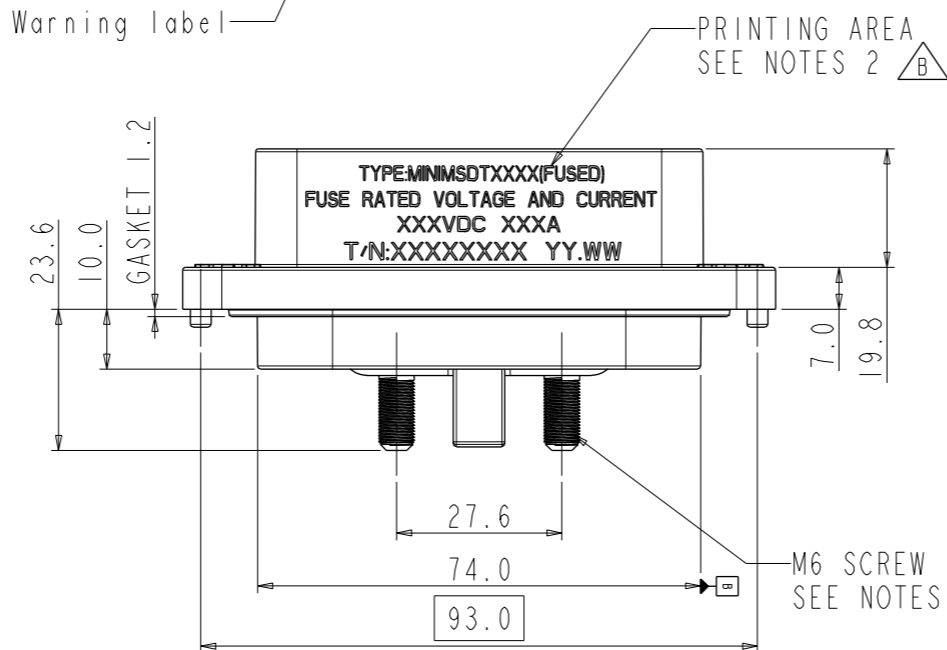
C-MINIMSDTXXXX

Amphenol PCDSZ  
ORIGINAL  
PDF Format  
R&D

REV	ECN	DESCRIPTION	DATE	MODIFIED
1		PRE- RELEASE	Mar-01-22	
A	C6240	RELEASE	Aug-15-22	
B	C6900	FUSED ADDED TO THE PRINTED AREA	Apr-15-2023	



SECTION 7:10



P/N:C220006538  
Protective cover  
purchased separately

SECTION I A-A

SCALE 1:2

SCALE 1:2

安费诺精密连接器(深圳)有限公司  
Amphenol PCD Shenzhen  
受控文件  
2023年11月29日

- NOTES
- TECHNICAL SPECIFICATIONS (技术参数):
    - AMBIENT TEMPERATURE: -40°C~+70°C
    - RECOMMENDED M6 BOLT ;TORQUE:5.3N.M
    - RECOMMENDED TORQUE:5.3N.M
    - DRGRREE OF PROTECTION:IP67
    - FUSE RATED VOLTAGE:
      - BUSSMANN:700V DC (80-315A)/600V DC(350-400A)
      - SINOFUSE:750V DC(100-350A)

- 2.MODEL SELECTION SPECIFICATION: 选型规格:  
MINIMSDTXXXX(FUSED) <sup>B</sup>

- 1-FUSE MANUFACTURER BUSSMANN  
2-FUSE MANUFACTURER SINOFUSE

- 080 --- 80A
- 100 --- 100A
- 125 --- 125A
- 160 --- 160A
- 200 --- 200A
- 250 --- 250A
- 315 --- 315A
- 350 --- 350A
- 400 --- 400A

DIMENSIONS	TOLERANCES	PROJECTION	TITLE		
ANSI Y14.5M UNITS: MM Pro/E FILE	.X ±0.5 .XX ±0.05 ANGLES ±2°		MINI MSD BOX		
ORIGINAL	THIS DOCUMENT CONTAINS PROPRIETARY INFORMATION WHICH IS THE CONFIDENTIAL PROPERTY OF Amphenol PCD Shenzhen Co. Ltd Amphenol PCD Shenzhen Co. Ltd RESERVES THE RIGHT TO CLARIFY THIS DRAWING	ENGR	SIZE	DWG NO.	REV
		CHKD APPD	A3	C-MINIMSDTXXXX	B
			SCALE: 4:5		SHEET 1 OF 1

C-MINIMSDTXXXX

C-MINIMSDTXXXX