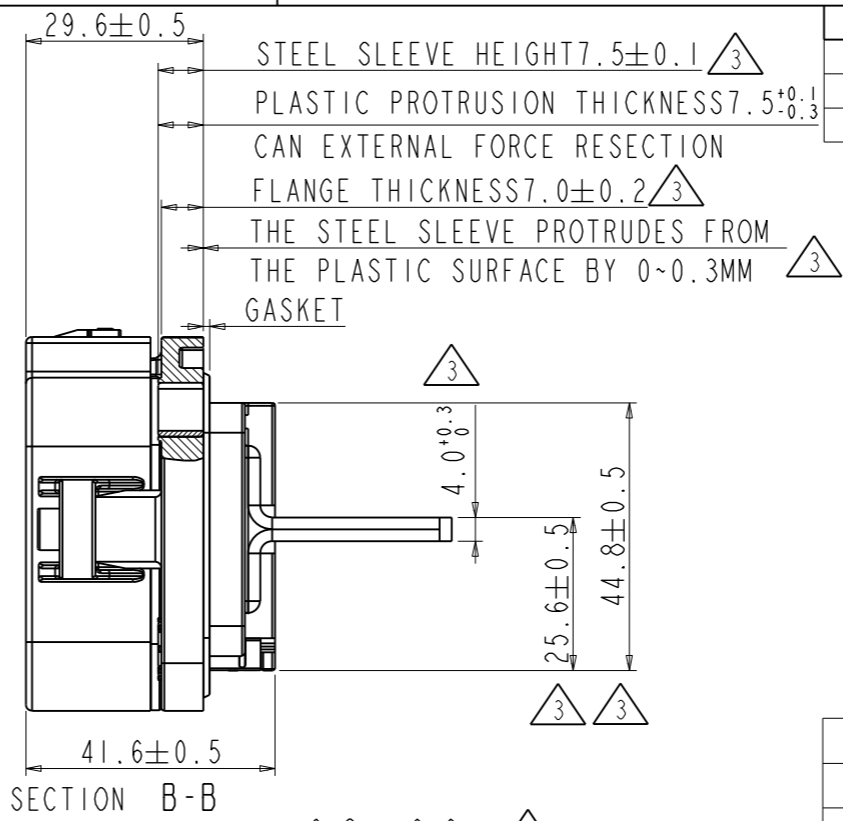
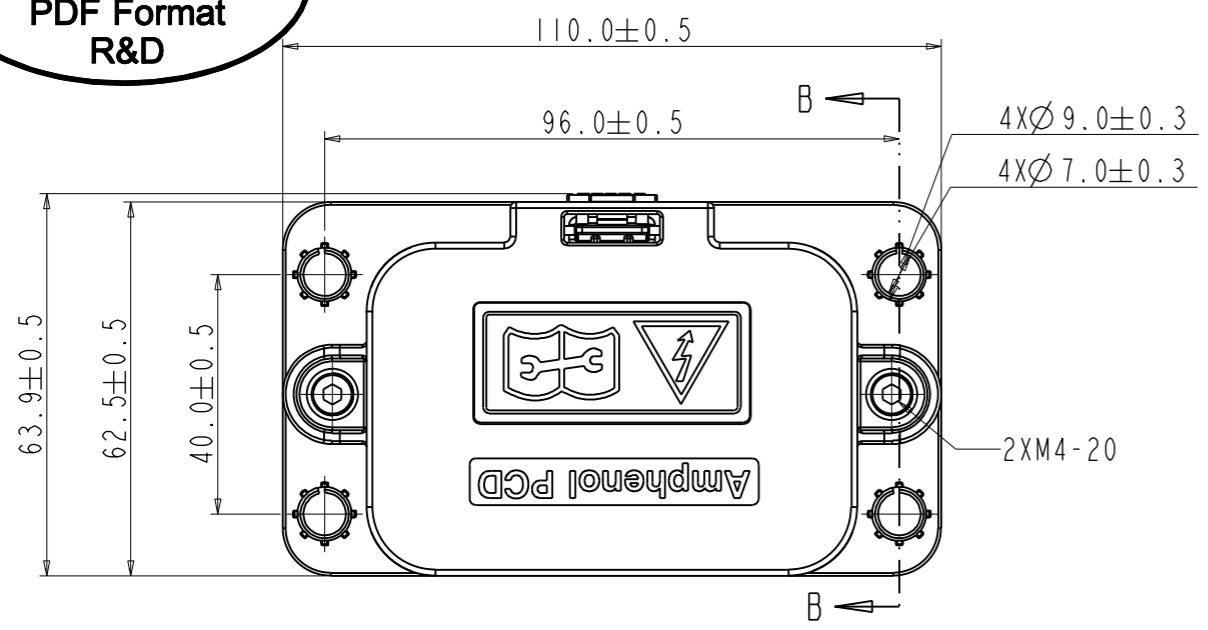
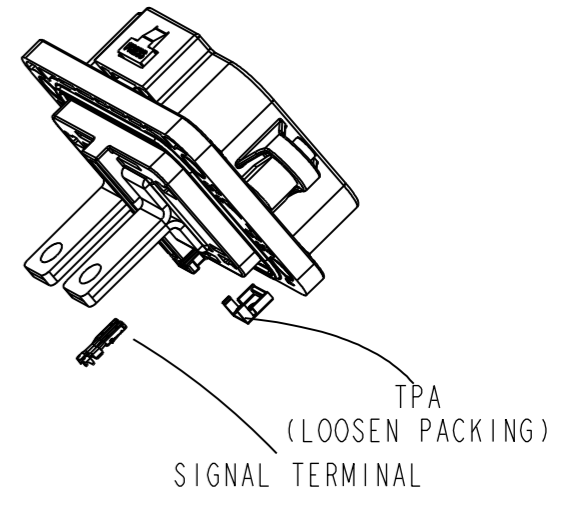


C-MINIMSDMJXXX4

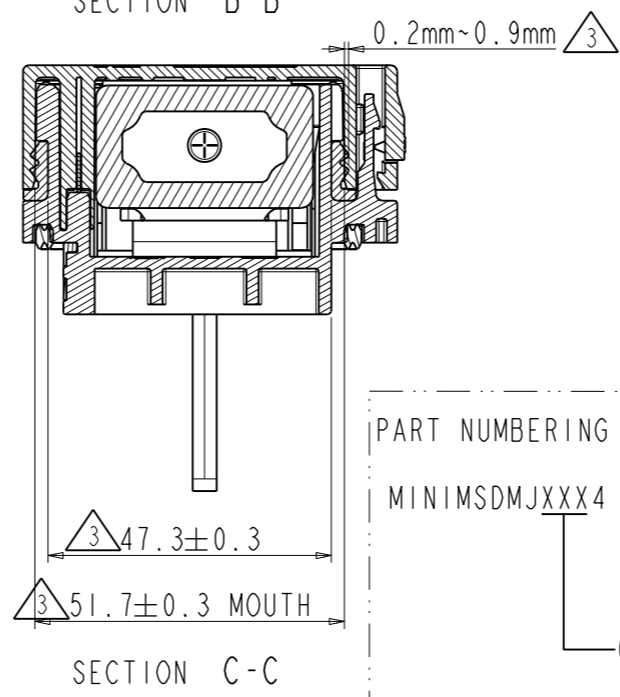
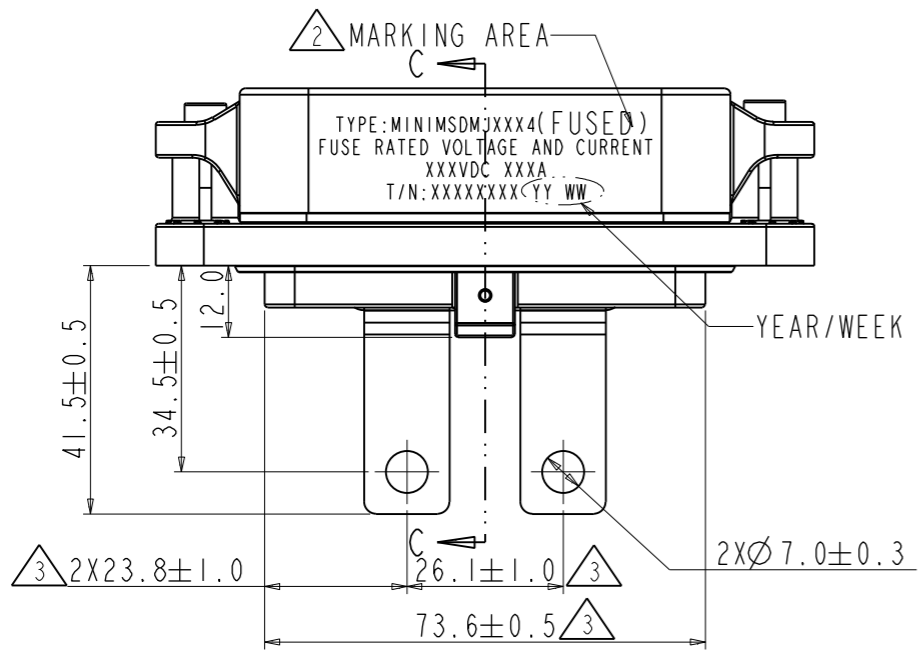
Amphenol PCD SZ
ORIGINAL
PDF Format
R&D



REV	ECN	DESCRIPTION	DATE	MODIFIED
1		PRE-RELEASE	09/01/22	
2	C6699N	CHANGE PRINTING	2023.07.12	
3	R7567N	MODIFIED DIMENSIONS	2024.02.26	



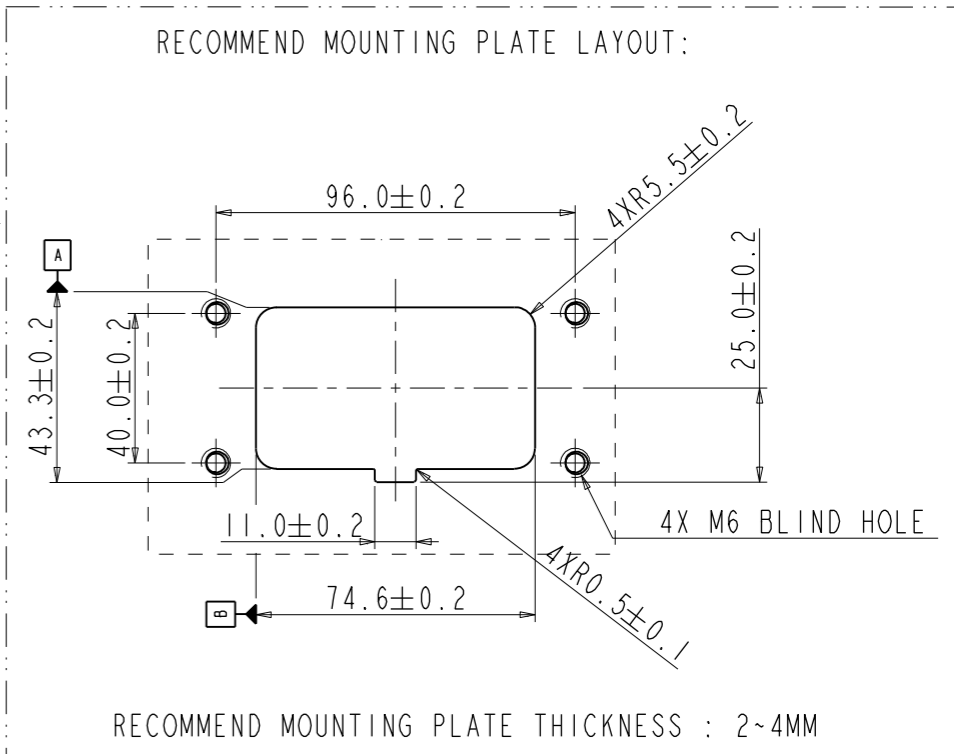
SCOPE OF CABLE OUTSIDE DIAMETER		
SIZE	OUTSIDE DIAMETER	REMARK
0.5mm ²	Ø1.4~Ø1.9	SIGNAL CABLE
0.75mm ²		



PART NUMBERING SCHEME:

MINIMSDMJXXX4

- 080-80A
- 100-100A
- 125-125A
- 160-160A
- 200-200A
- 250-250A
- 315-315A
- 350-350A



THCHNICAL SPECIFICATIONS:

- FUSE RATED VOLTAGE: 750VDC(80-350A)
- FUSE RATED CURRENCY: ACCORDING FUSE SPECIFICATION
- AMBIENT TEMPERATURE: -40°C~70°C
- SIGNAL TERMINAL DRAWING: C-C310003614S (LOOSEN PACKING)
- SIGNAL TERMINAL NEED PURCHASED SEPARATELY
- M4 SCREWS RECOMMENDED TORQUE: 3.6±0.3N·m (MECHANICAL CONNECTION TORQUE)
- M5 SCREWS RECOMMENDED TORQUE: 3.0±0.3N·m (ELECTRICAL CONNECTION TORQUE)
- M6 SCREWS RECOMMENDED TORQUE: 5.3±0.3N·m (MECHANICAL CONNECTION TORQUE)
- THE FUSE BRAND: SINFUSE
- IP CODE: IP67 IP6K9K
- ROHS COMPLIANCE
- WITH HVIL

DIMENSIONS	TOLERANCES	PROJECTION	TITLE		
ANSI Y14.5M UNITS: MM Pro/E FILE	.X ±0.5 .XX ±0.05 ANGLES ±2°		MINIMSD SOCKET		
ORIGINAL	THIS DOCUMENT CONTAINS PROPRIETARY INFORMATION WHICH IS THE CONFIDENTIAL PROPERTY OF Amphenol PCD Shenzhen Co. Ltd Amphenol PCD Shenzhen Co. Ltd RESERVES THE RIGHT TO CLARIFY THIS DRAWING	ENGR	09/01/22		REV
		CHKD	APPD	SIZE A3	DWG NO. C-MINIMSDMJXXX4
			SCALE: 4:5		SHEET 1 OF 1

C-MINIMSDMJXXX4

C-MINIMSDMJXXX4