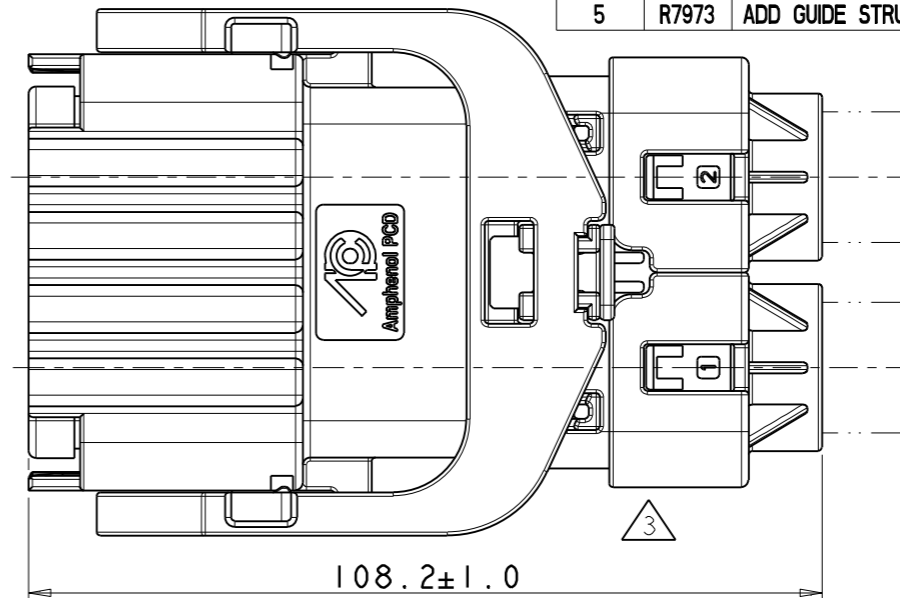
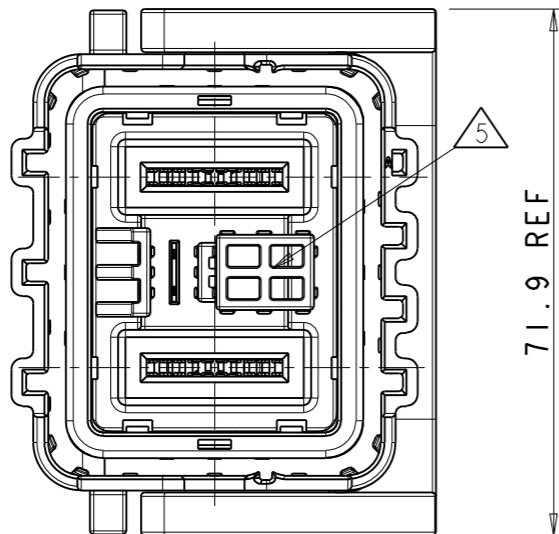
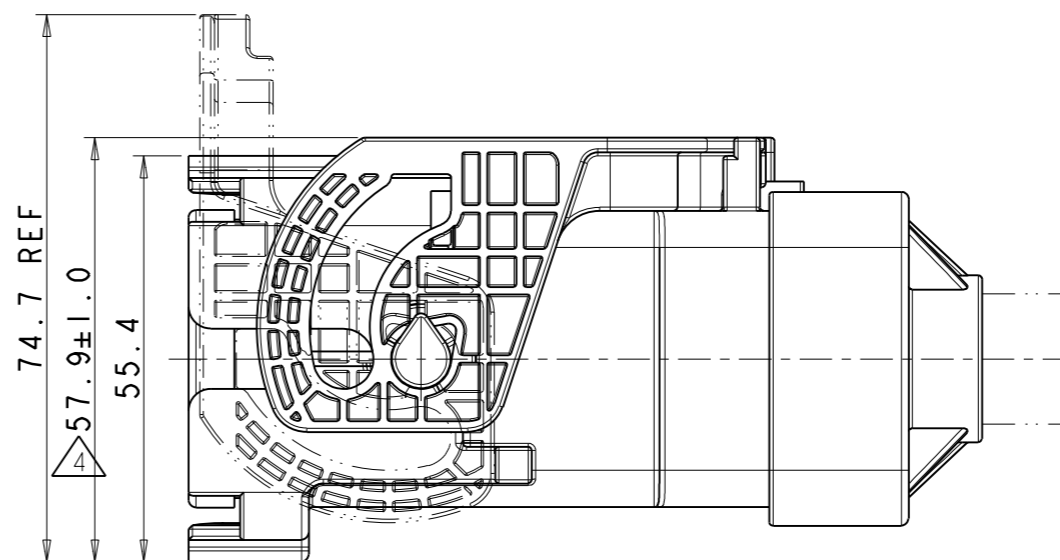


Amphenol PCD SZ
ORIGINAL
PDF Format
R&D

REV	ECN	DESCRIPTION	DATE	MODIFIED
1		PRE- RELEASE	Oct-13-22	
2	R6833N	ADD 25MM^2 WIRE SIZE AND PRINT	May-22-23	
3	R7471N	OPTIMIZED TAIL COVER STRUCTURE	Sep-24-23	
4	R7731	OPTIMIZE THE HANDLE MOTION TRAJECTORY	Jan-14-24	
5	R7973	ADD GUIDE STRUCTURE AND SPACER	Apr-10-24	



TECHNICAL DATA		
CURRENT RATE 70MM^2 WIRE	270A	+
CURRENT RATE 50MM^2 WIRE	220A	+
CURRENT RATE 35MM^2 WIRE	180A	+
CURRENT RATE 25MM^2 WIRE	130A	+
VOLTAGE RATE	1000V DC	+
OPERRATING TEMPERATURE	-40-125°C	NA
DIELECTRIC WITHSTANDING VOLTAGE	Power:3000V AC	+
	Signal:660V AC	
INSULATION RESISTANCE	200MΩ	+
MIN MATING CYCLES	50 TIMES	⊙
SHIELDING	YES	NA
WATERPROOF	IP67 IP6K9K	+
CORROSION-PROFF GRADE(SALT FOG TEST)	96 HOURS	NA
AMBIENT TEMPERATURE	-40-50°C	NA
70mm^2 CABLE SIZE(JACKET DIAMETER)	∅17.8±0.4	NA
50mm^2 CABLE SIZE(JACKET DIAMETER)	∅15.5±0.3	NA
35mm^2 CABLE SIZE(JACKET DIAMETER)	∅14.1±0.3	NA
25mm^2 CABLE SIZE(JACKET DIAMETER)	∅11.9±0.3	NA



C-HVSLF18062XXXX

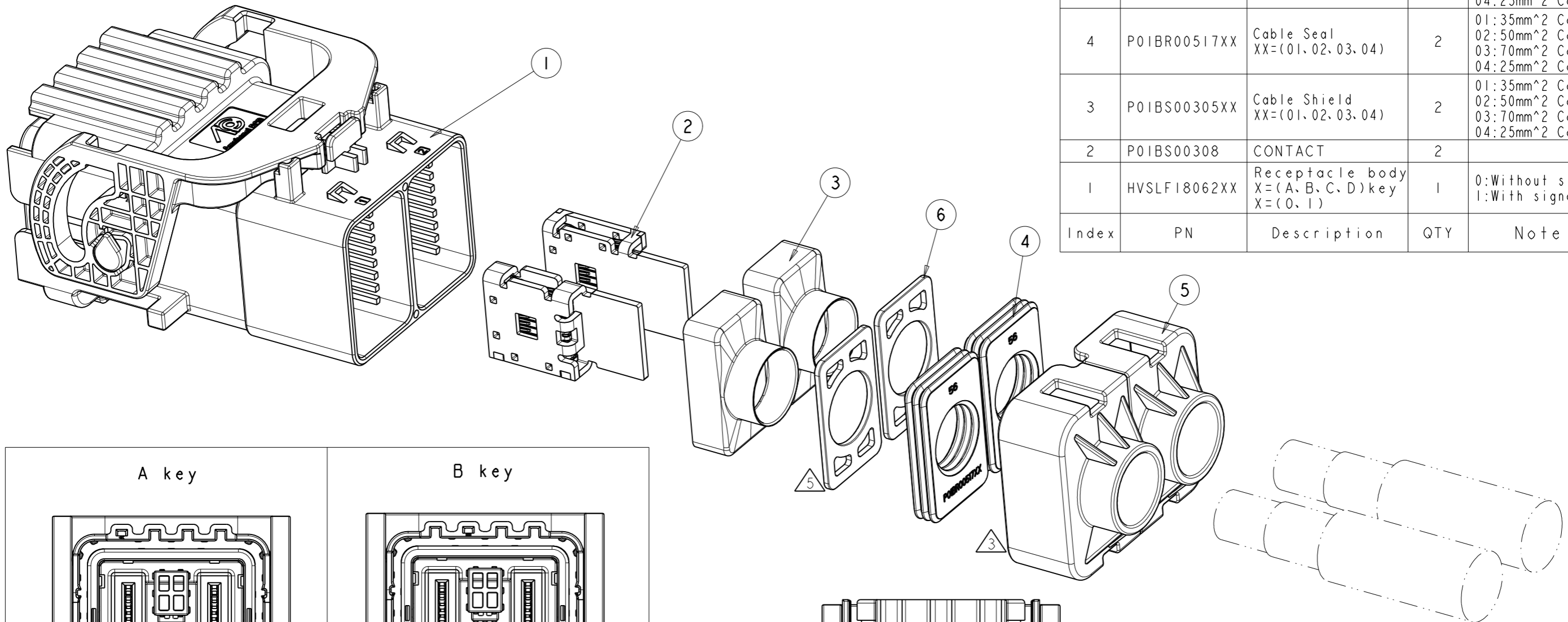
C-HVSLF18062XXXX

HVSLF18062 X X XX

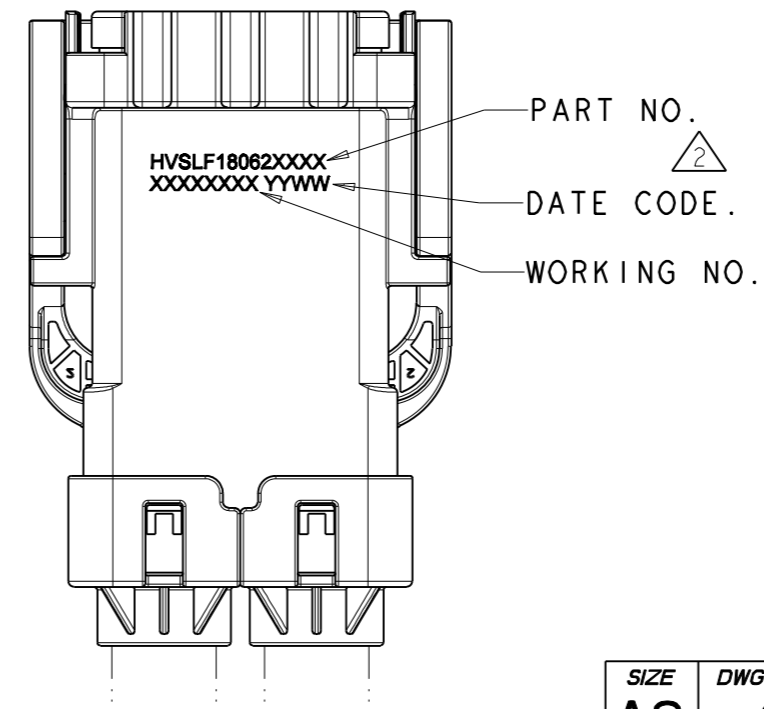
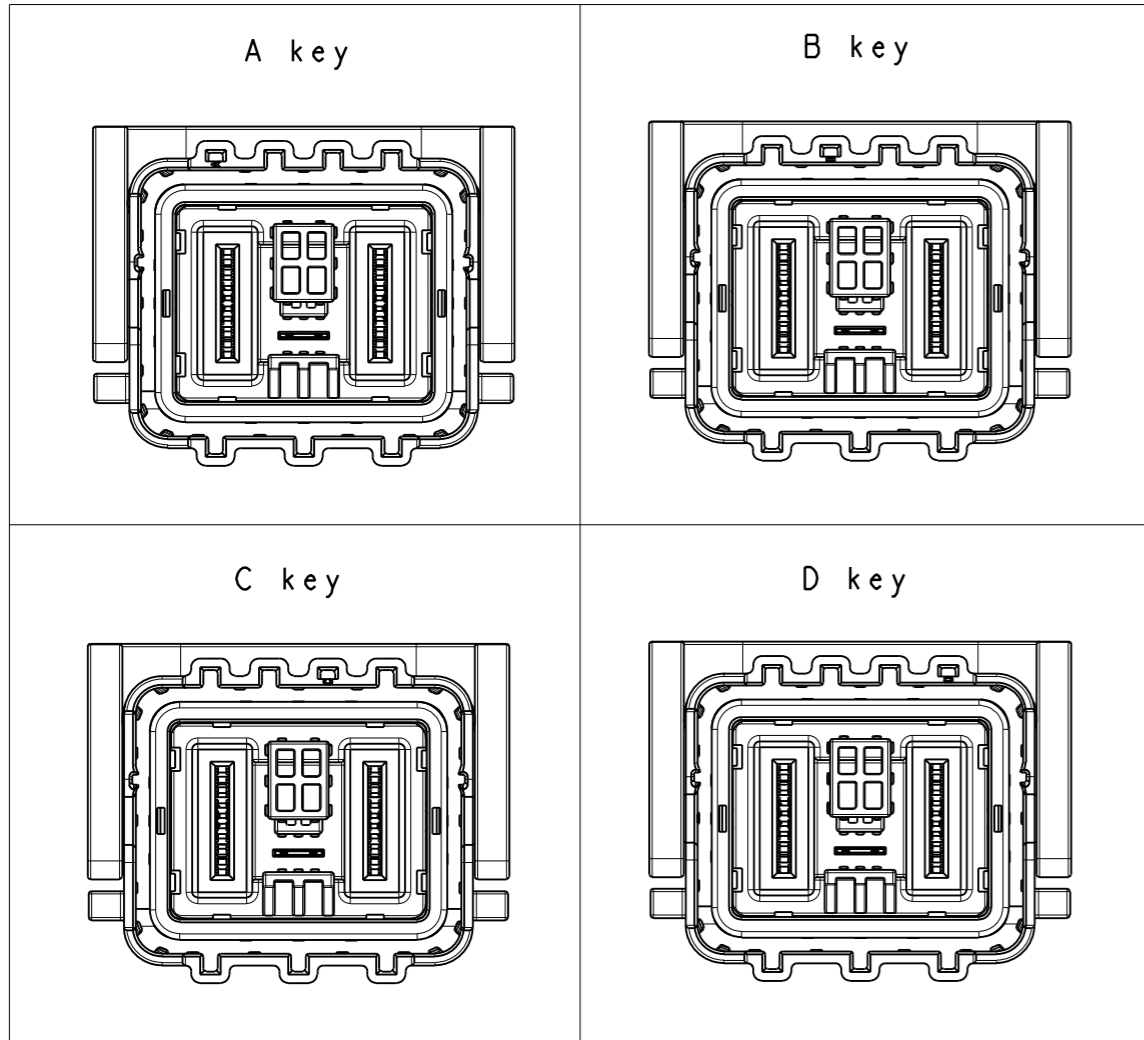
25: 25mm² Cable
35: 35mm² Cable
50: 50mm² Cable
70: 70mm² Cable
0: Without signal
1: With signal

A: A key
B: B key
C: C key
D: D key

DIMENSIONS	TOLERANCES	PROJECTION	TITLE		
ANSI Y14.5M UNITS: MM Pro/E FILE	.X ±0.5 .XX ±0.05 ANGLES ±2°		PLUG ENGR Oct-13-22 CHKD APPD		
ORIGINAL	THIS DOCUMENT CONTAINS PROPRIETARY INFORMATION WHICH IS THE CONFIDENTIAL PROPERTY OF Amphenol PCD Shenzhen Co. Ltd Amphenol PCD Shenzhen Co. Ltd RESERVES THE RIGHT TO CLARIFY THIS DRAWING				
			SCALE: 1:1		SHEET 1 OF 2



Index	PN	Description	QTY	Note
6	P01BP01172	SPACER	2	
5	P01BP00682XX	End Cap XX=(01, 02, 03, 04)	2	01: 35mm ² Cable 02: 50mm ² Cable 03: 70mm ² Cable 04: 25mm ² Cable
4	P01BR00517XX	Cable Seal XX=(01, 02, 03, 04)	2	01: 35mm ² Cable 02: 50mm ² Cable 03: 70mm ² Cable 04: 25mm ² Cable
3	P01BS00305XX	Cable Shield XX=(01, 02, 03, 04)	2	01: 35mm ² Cable 02: 50mm ² Cable 03: 70mm ² Cable 04: 25mm ² Cable
2	P01BS00308	CONTACT	2	
1	HVSLF18062XX	Receptacle body X=(A, B, C, D)key X=(0, 1)	1	0: Without signal 1: With signal



C-HVSLF18062XXXX

C-HVSLF18062XXXX

SIZE A3	DWG NO. C-HVSLF18062XXXX	REV 5
SCALE: 1:1		SHEET 2 OF 2