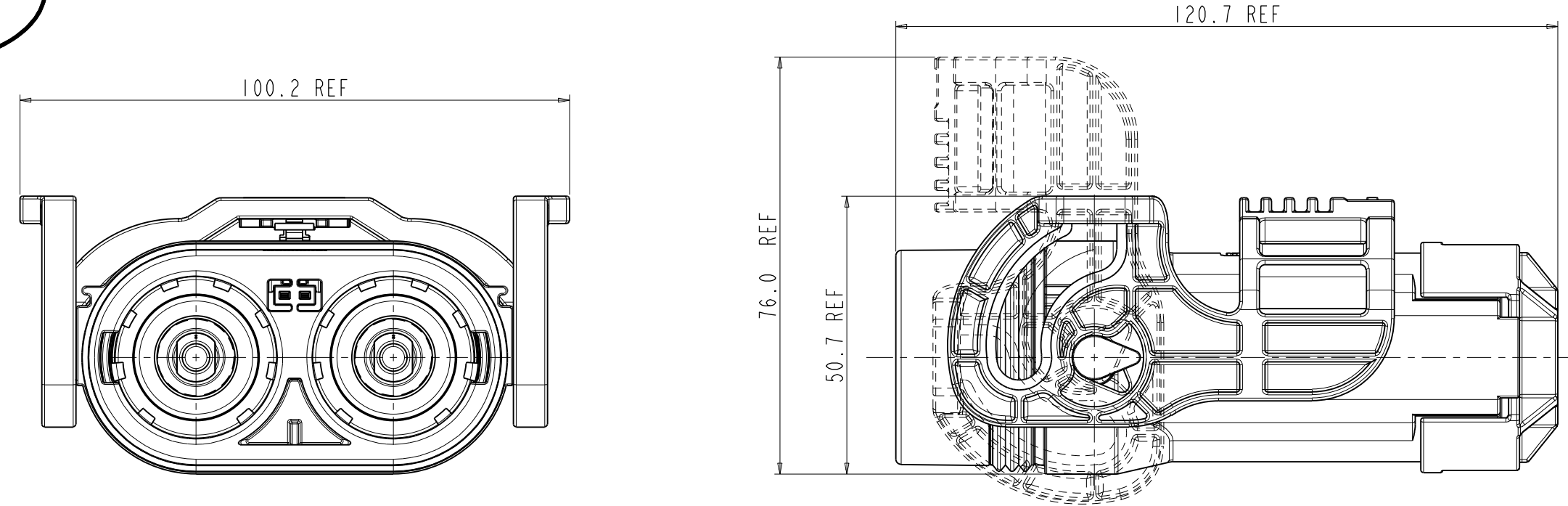


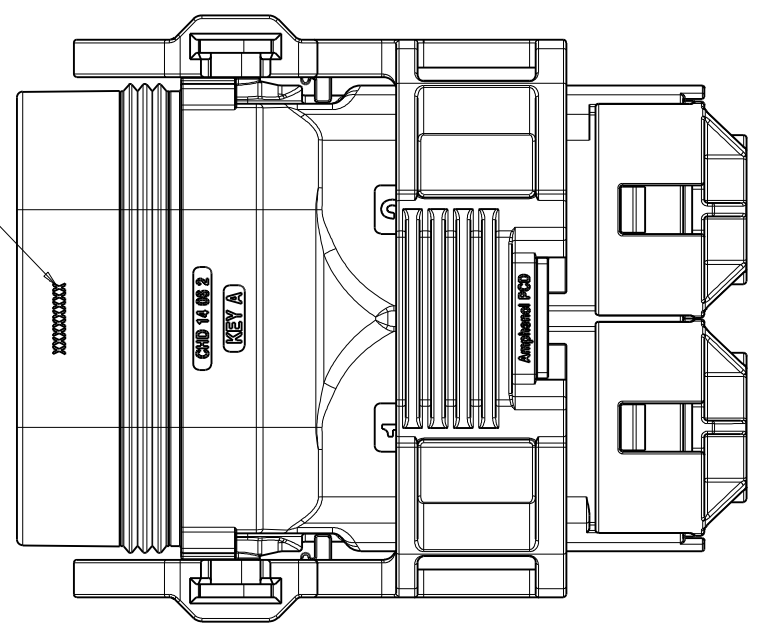
Amphenol PCD  
ORIGINAL  
PDF Format  
R&D

REV	ECN	DESCRIPTION	DATE	MODIFIED
1		RELEASE	Oct-18-2022	
2	C8273N	CORRECT ERRORS FOR DRAWING	Jul-08-2024	..

安费诺精密连接器(深圳)有限公司  
Amphenol PCD Shenzhen  
受控文件  
2024年8月30日



THE FIRST ROW IS THE PRODUCT  
PART NUMBER(PRINT THE FULL CODE)  
THE SECOND ROW OF WORK ORDER NUMBER+BATCH



TECHNICAL DATA		
CURRENT RATE (150MM <sup>2</sup> SHIELD CABLE)	500A @ AMBIENT 70°C	+
CURRENT RATE (120MM <sup>2</sup> SHIELD TINNED CABLE) $\triangle 2$	450A @ AMBIENT 70°C	+
CURRENT RATE (120MM <sup>2</sup> SHIELD BARE COPPER CABLE) $\triangle 2$	430A @ AMBIENT 70°C	+
CURRENT RATE (95MM <sup>2</sup> SHIELD TINNED CABLE) $\triangle 2$	400A @ AMBIENT 70°C	+
CURRENT RATE (90MM <sup>2</sup> SHIELD BARE COPPER CABLE) $\triangle 2$	350A @ AMBIENT 70°C	+
RATING VOLTAGE (OVERVOLTAGE CATEGORY II POLLUTION DEGREE 2)	1500V DC	+
OPERATING TEMPERATURE	-40~125°C	
DIELECTRIC WITHSTANDING VOLTAGE	4000V AC(RMS)	+
INSULATION RESISTANCE	200M $\Omega$ MIN.@25	+
DURABILITY	50 CYCLES	◎
SHIELDING	YES	
WATERPROOF (MATED CONDITION)	IP67, IP6K9K	+
PROTECTION LEVEL (UNMATED)	IP2XB	+
AMBIENT TEMPERATURE	-40~70°C	
RoHS & REACH	YES	+

+: CRITICAL CHARACTERISTICS / 关键特性  
◎: IMPORTANT CHARACTERISTICS / 重要特性

- NOTES:
- MATERIAL & FINISH:  
BODY: ALUMINUM ALLOY, NEUTRAL SALT SPRAY MEETS 500H.  
POWER CONTACT: COPPER ALLOY SILVER PLATED  
HVIL CONTACTS: COPPER ALLOY SILVER PLATED  
SEAL RING: SR
  - PART NUMBERING SCHEME:

CHD 14 06 2 X X XX

- A: CODING A
- B: CODING B
- C: CODING C
- 0: WITHOUT HVIL
- 1: WITH HVIL
- 01: CROSS-SECTION 150mm<sup>2</sup>  
WIRE OD=24.9±0.5mm
- 02: CROSS-SECTION 120mm<sup>2</sup>  
WIRE OD=22.6±0.4mm
- 03: CROSS-SECTION 95mm<sup>2</sup>  
WIRE OD=20.5±0.4mm

DIMENSIONS	TOLERANCES	PROJECTION	TITLE		
ANSI Y14.5M UNITS: MM Pro/E FILE	.X ±0.5 .XX ±0.05 ANGLES ±2°		CHD14 06 2 X X XX STRAIGHT PLUG ASSEMBLY		
ORIGINAL	THIS DOCUMENT CONTAINS PROPRIETARY INFORMATION WHICH IS THE CONFIDENTIAL PROPERTY OF Amphenol PCD Co. Ltd Amphenol PCD Co. Ltd RESERVES THE RIGHT TO CLARIFY THIS DRAWING	ENGR	SIZE	DWG NO.	REV
		APPD	A3	C-CHD14062XXXX	2
			SCALE: 1:2	SHEET 1 OF 2	

C-CHD14062XXXX

C-CHD14062XXXX

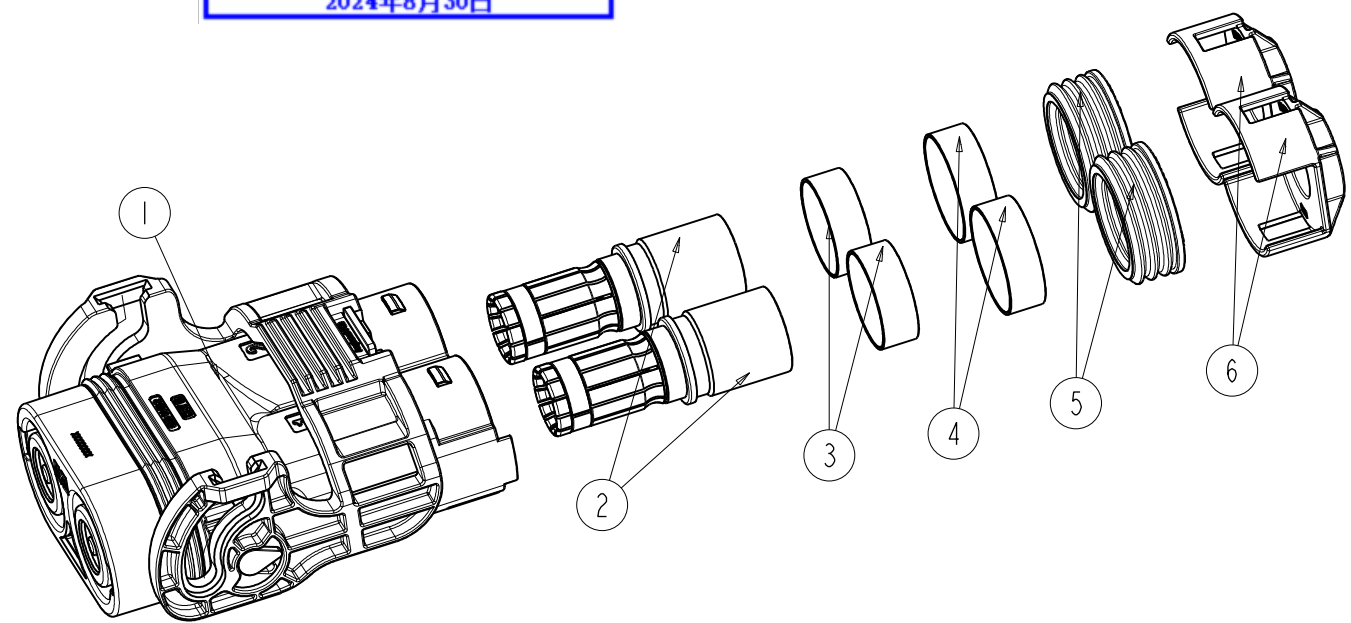
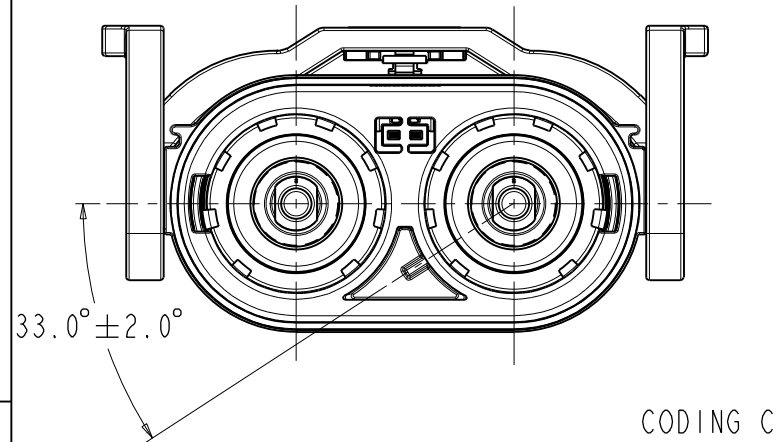
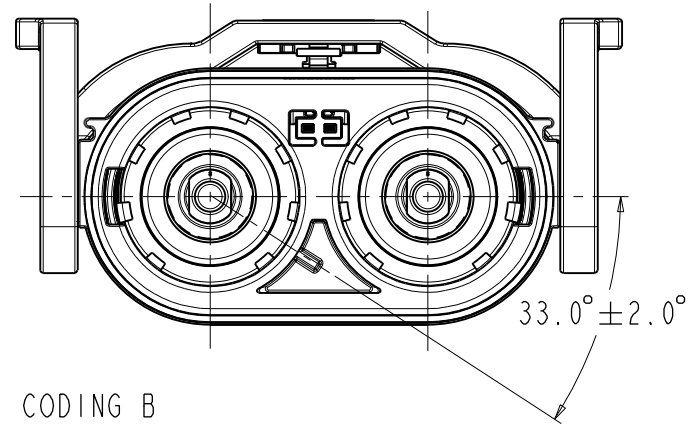
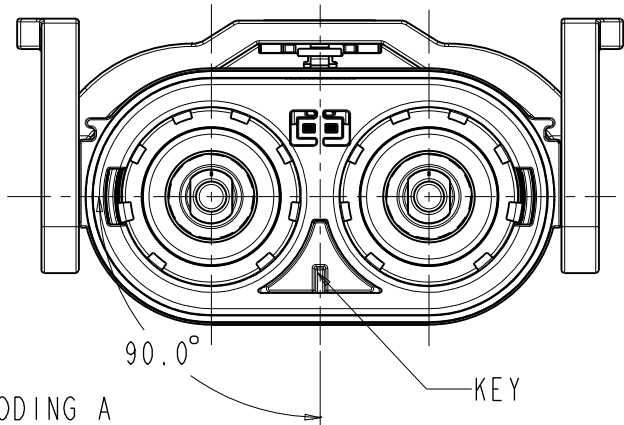


TABLE 1:

MAIN BODY P/N	KEY X
P02B00021501	KEY A
P02B00021502	KEY B
P02B00021503	KEY C

TABLE 2:

POWER PIN P/N	CABLE SPECIFICATIONS
P02B000132	150mm <sup>2</sup>
P02B000131	120mm <sup>2</sup>
P02B000130	95mm <sup>2</sup>

TABLE 3:

MAIN BODY P/N	KEY X
P02B00021601	KEY A
P02B00021602	KEY B
P02B00021603	KEY C

ASSEMBLY P/N	ITEM	COMPONENT P/N	CABLE SIZE	DESCRIPTION	Q'TY
CHD14062 X I XX	6	P01BP0058603	95mm <sup>2</sup>	END CAP	2
		P01BP0058602	120mm <sup>2</sup>	END CAP	2
		P01BP0058601	150mm <sup>2</sup>	END CAP	2
	5	P01BR00343	95mm <sup>2</sup>	CABLE SEALING	2
		P01BR00344	120mm <sup>2</sup>	CABLE SEALING	2
		P01BR00345	150mm <sup>2</sup>	CABLE SEALING	2
	4	P01BM00997	95mm <sup>2</sup>	OUTER SHIELD RING	2
		P01BM00995	120mm <sup>2</sup>	OUTER SHIELD RING	2
		P01BM00984	150mm <sup>2</sup>	OUTER SHIELD RING	2
	3	P01BM00998	95mm <sup>2</sup>	INNER SHIELD RING	2
		P01BM00996	120mm <sup>2</sup>	INNER SHIELD RING	2
		P01BM00957	150mm <sup>2</sup>	INNER SHIELD RING	2
	2	TABLE 2	N/A	POWER PIN ASSEMBLY	2
1	TABLE 1	N/A	MAIN BODY & WITH HIVL	1	

ASSEMBLY P/N	ITEM	COMPONENT P/N	CABLE SIZE	DESCRIPTION	Q'TY
CHD14062 X 0 XX	6	P01BP0058603	95mm <sup>2</sup>	END CAP	2
		P01BP0058602	120mm <sup>2</sup>	END CAP	2
		P01BP0058601	150mm <sup>2</sup>	END CAP	2
	5	P01BR00343	95mm <sup>2</sup>	CABLE SEALING	2
		P01BR00344	120mm <sup>2</sup>	CABLE SEALING	2
		P01BR00345	150mm <sup>2</sup>	CABLE SEALING	2
	4	P01BM00997	95mm <sup>2</sup>	OUTER SHIELD RING	2
		P01BM00995	120mm <sup>2</sup>	OUTER SHIELD RING	2
		P01BM00984	150mm <sup>2</sup>	OUTER SHIELD RING	2
	3	P01BM00998	95mm <sup>2</sup>	INNER SHIELD RING	2
		P01BM00996	120mm <sup>2</sup>	INNER SHIELD RING	2
		P01BM00957	150mm <sup>2</sup>	INNER SHIELD RING	2
	2	TABLE 2	N/A	POWER PIN ASSEMBLY	2
1	TABLE 3	N/A	MAIN BODY & WITHOUT HIVL	1	

C-CHD14062XXXX

C-CHD14062XXXX