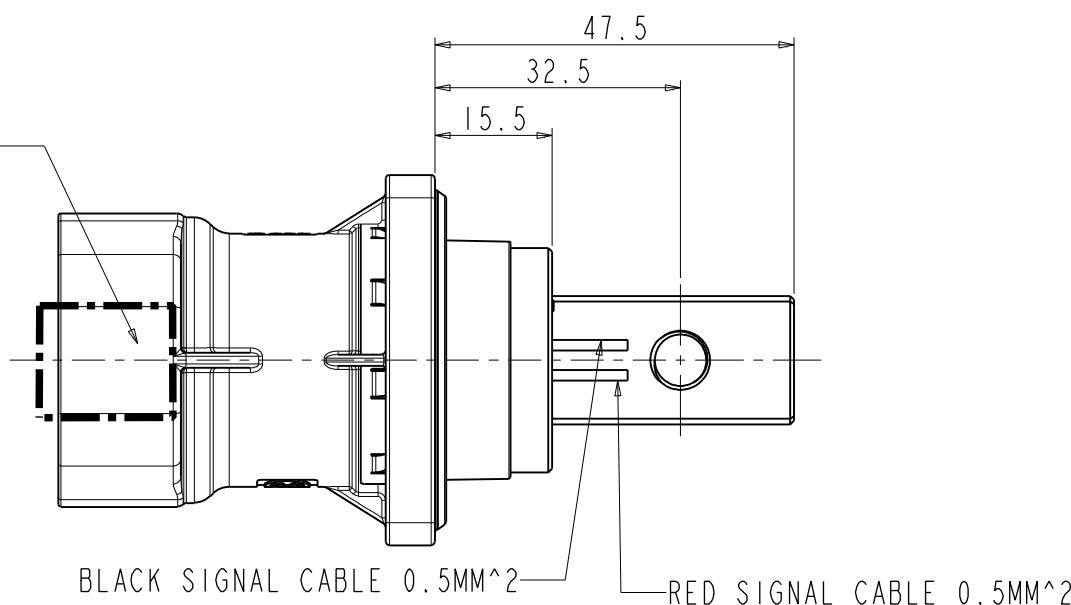
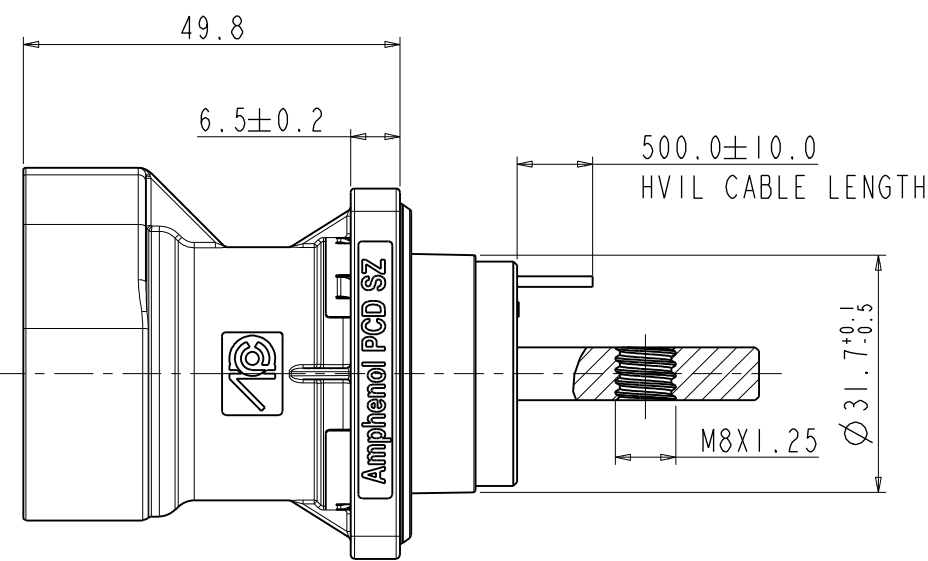
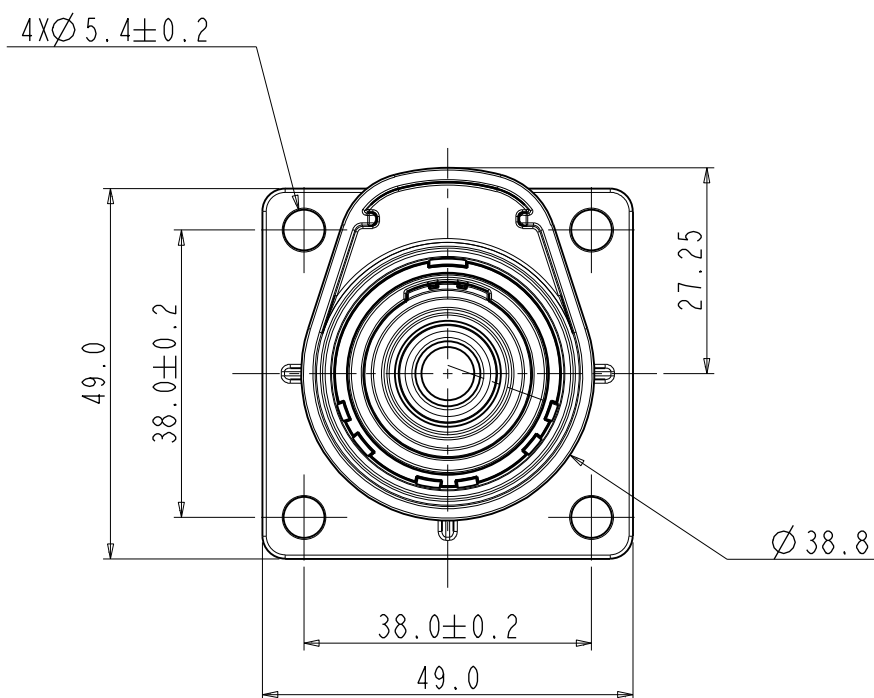


COLOR RECOGNITION AREA



安费诺精密连接器(深圳)有限公司
Amphenol PCD Shenzhen
受控文件
2024年8月30日



4. PART NUMBERING SCHEME:
CHD 14 02 1 X X 01

- A: CODING A
- B: CODING B
- C: CODING C
- D: CODING D
- E: CODING E
- 0: WITHOUT HVIL
- 1: WITH HVIL
- 01: COPPER BAR(M8X1.25)

★ : CRITICAL CHARACTERISTICS / 关键特性
◎ : IMPORTANT CHARACTERISTICS / 重要特性

NOTES:

1. MATERIAL & FINISH:
BODY: ALUMINUM ALLOY, NEUTRAL SALT SPRAY MEETS 500H.
POWER CONTACT: COPPER ALLOY SILVER & TIN PLATED
HVIL CONTACTS: COPPER ALLOY TIN PLATED
SEAL RING: SR
2. THE FLANGE IS LOCKED WITH M5 BOLTS, AND THE LOCKING TORQUE IS 5.9N.M (REFERENCE STANDARD: DIN-EN20273)
3. THE COPPER BAR IS LOCKED WITH M8 BOLTS, AND THE LOCKING TORQUE IS 13.4N.M (REFERENCE STANDARD: NFF 61-017)

REV	ECN	DESCRIPTION	DATE	MODIFIED
1		RELEASE	Dec-09-2021	Dick.Rao
2	R6275N	ADD PROTECTIVE CAP	May-10-2022	Dick.Rao
3	R6904N	INCREASE THE NUMBER OF ERROR PREVENTION KEYS	Mar-09-2023	Dick.Rao
4	R8269W	ADJUST HOLE POSITION OF CAP	Jul-15-2024	Flame.Li

5. TECHNICAL DATA TABLE

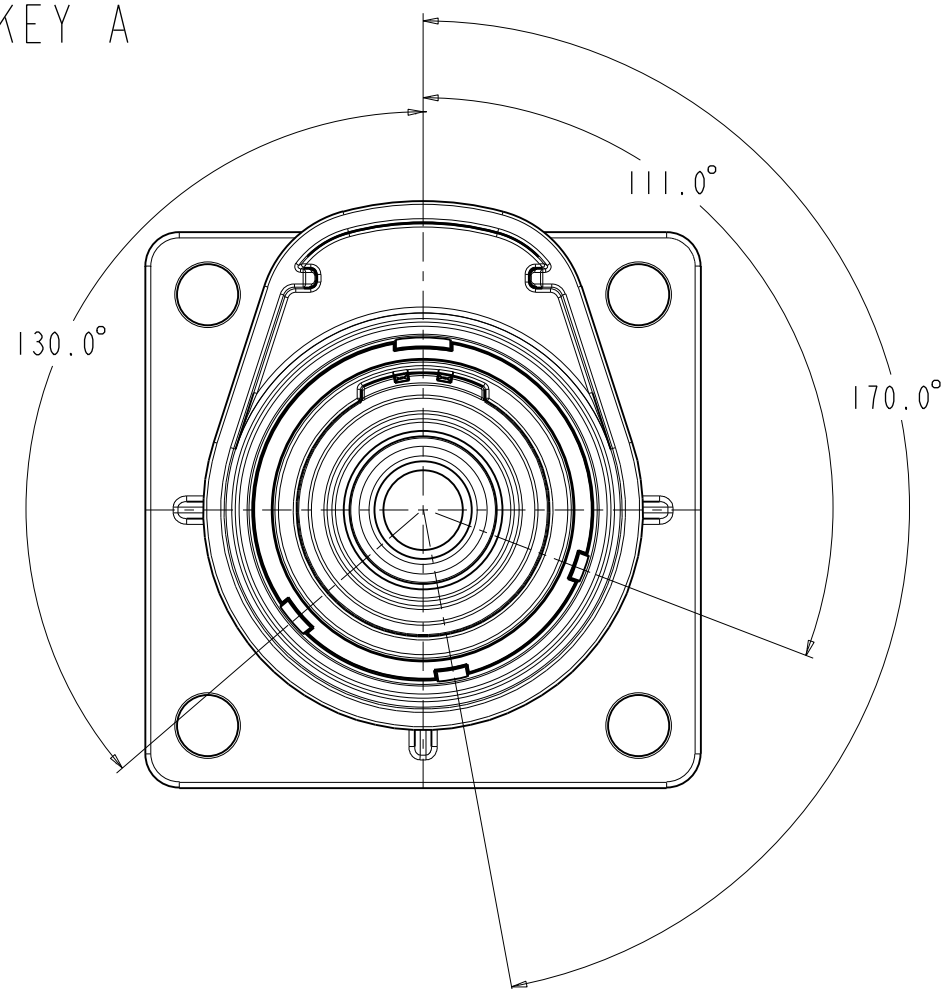
TECHNICAL DATA		
CURRENT RATE (150MM ² SHIELD CABLE)	500A @ AMBIENT 70°C	★
CURRENT RATE (120MM ² SHIELD TINNED CABLE)	450A @ AMBIENT 70°C	★
CURRENT RATE (120MM ² SHIELD BARE COPPER CABLE)	430A @ AMBIENT 70°C	★
CURRENT RATE (95MM ² SHIELD TINNED CABLE)	400A @ AMBIENT 70°C	★
CURRENT RATE (95MM ² SHIELD BARE COPPER CABLE)	350A @ AMBIENT 70°C	★
CURRENT RATE (70MM ² SHIELD BARE COPPER CABLE)	300A @ AMBIENT 70°C	★
RATING VOLTAGE (OVERVOLTAGE CATEGORY II POLLUTION DEGREE 2)	1500V DC	★
OPERATING TEMPERATURE	-40~125°C	
DIELECTRIC WITHSTANDING VOLTAGE	4000V AC(RMS)	★
INSULATION RESISTANCE	200M ^Ω MIN.@25	★
DURABILITY	50 CYCLES	◎
SHIELDING	YES	
WATERPROOF (UNMATED CONDITION)	IP67, IP6K9K	★
PROTECTION LEVEL (UNMATED)	IP2XB	★
AMBIENT TEMPERATURE	-40~70°C	
RoHS&REACH	YES	★

DIMENSIONS	TOLERANCES	PROJECTION	Amphenol PCD Shenzhen
ANSI Y14.5M UNITS: MM Pro/E FILE	.X ±0.5 .XX ±0.05 ANGLES ±2°		ENGR Dick.Rao Dec-09-2021
ORIGINAL	THIS DOCUMENT CONTAINS PROPRIETARY INFORMATION WHICH IS THE CONFIDENTIAL PROPERTY OF Amphenol PCD Shenzhen Co. Ltd Amphenol PCD Shenzhen Co. Ltd RESERVES THE RIGHT TO CLARIFY THIS DRAWING		CHKD Sembao APPD Derek

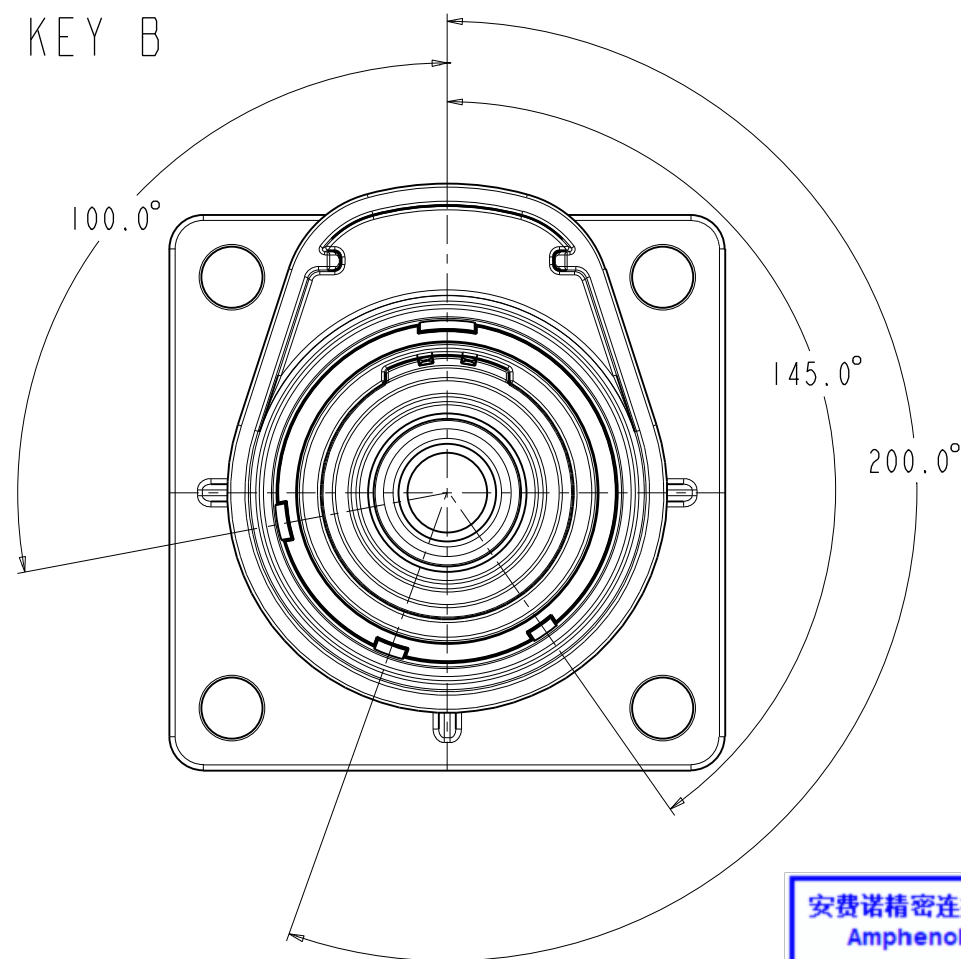
TITLE		
CHD 14 02 1 X X 01 RECEPTACLE ASSEMBLY		
SIZE A3	DWG NO. C-CHD14021XX01	REV 4
SCALE: 1:1		SHEET 1 OF 3

C-CHD14021XX01

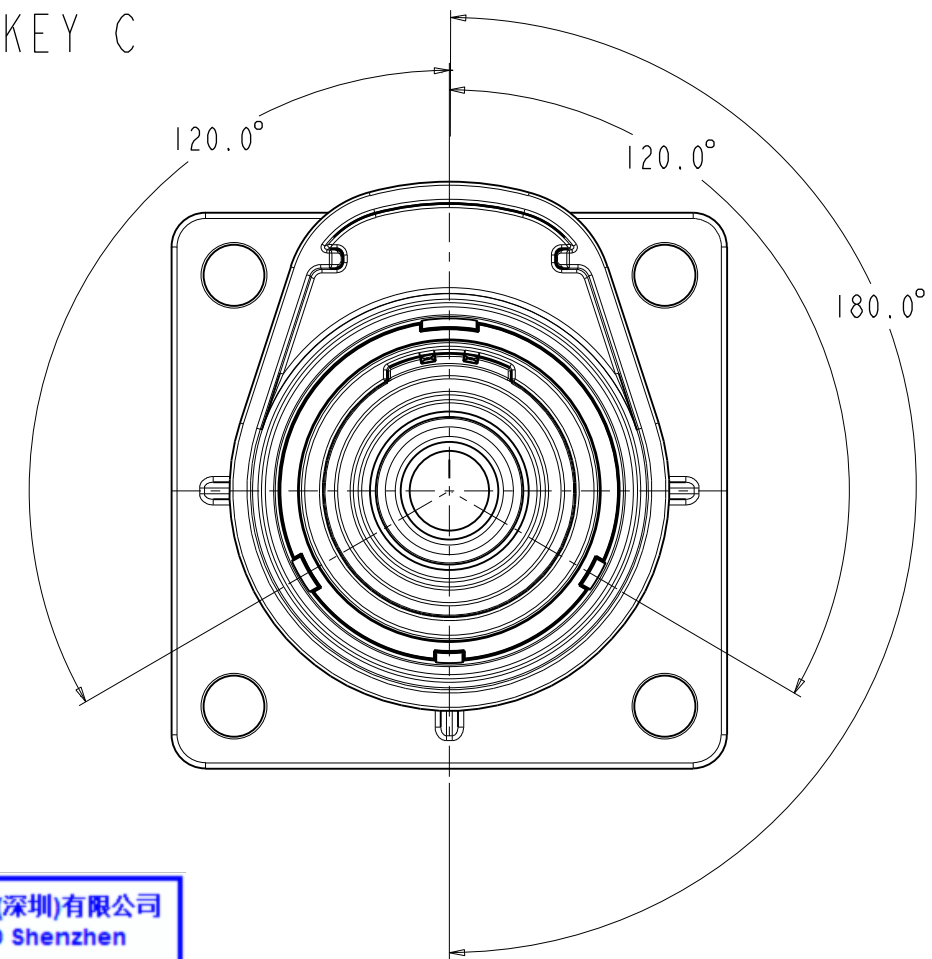
KEY A



KEY B

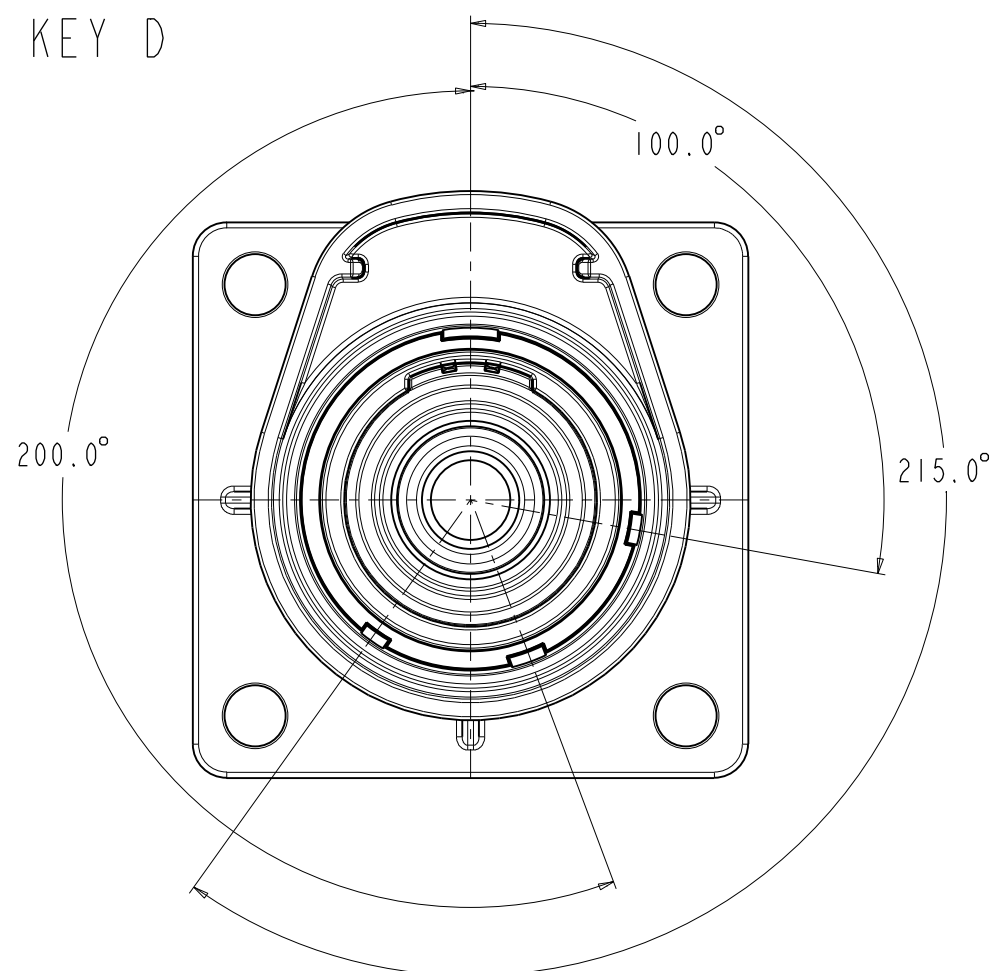


KEY C

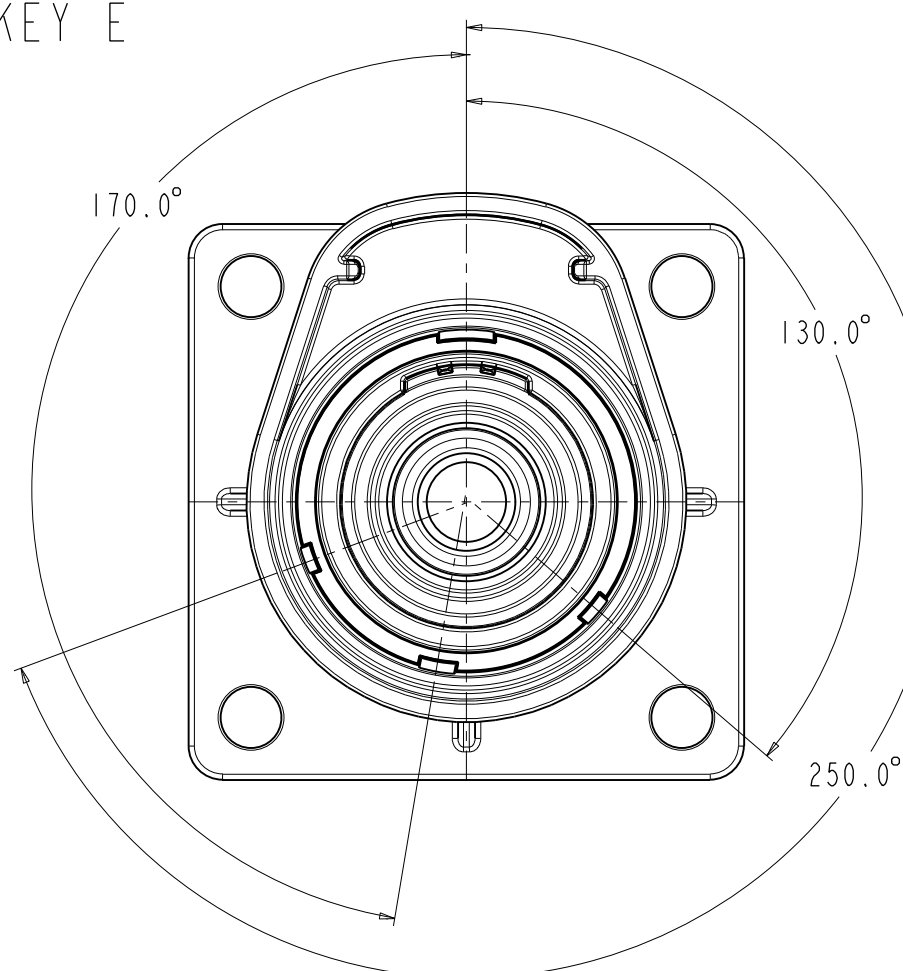


安费诺精密连接器(深圳)有限公司
Amphenol PCD Shenzhen
受控文件
2024年8月30日

KEY D



KEY E



PRODUCT ANGLE DISTRIBUTION

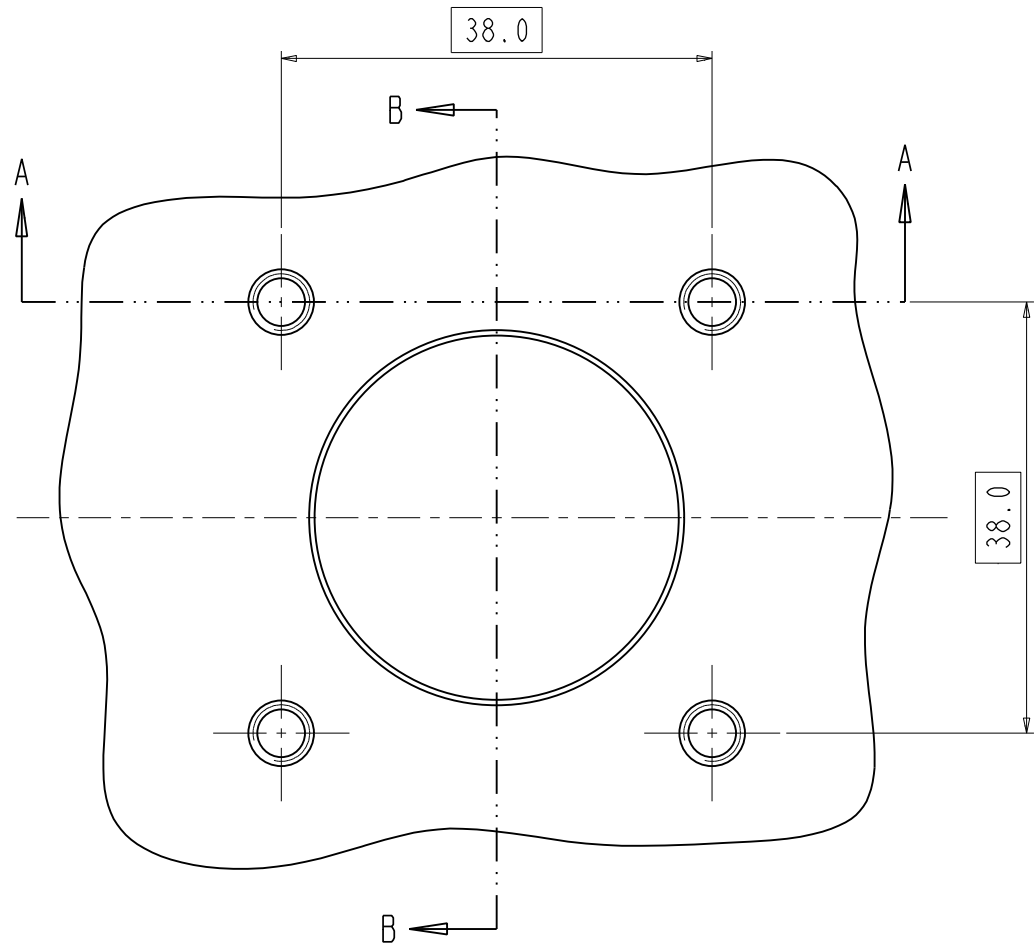
KEY X	ANGLE W°	ANGLE A°	ANGLE B°	COLOR
KEY A	110	170	130	RED
KEY B	145	200	100	BLACK
KEY C	180	120	120	YELLOW
KEY D	215	100	200	GREEN
KEY E	250	130	170	BLUE

SIZE A3	DWG NO. C-CHD14021XX01	REV 4
SCALE: 1:1		SHEET 2 OF 3

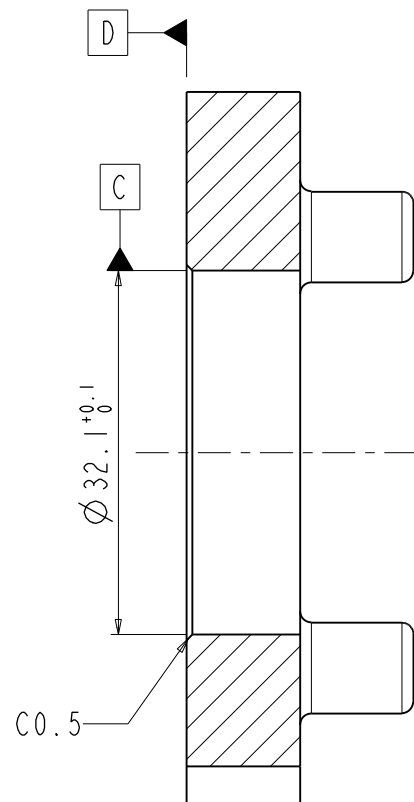
C-CHD14021XX01

C-CHD14021XX01

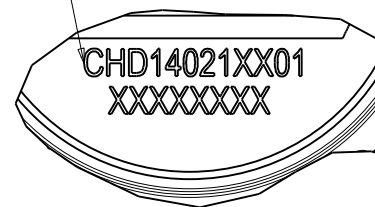
RECOMMENDED MOUNTING PLATE



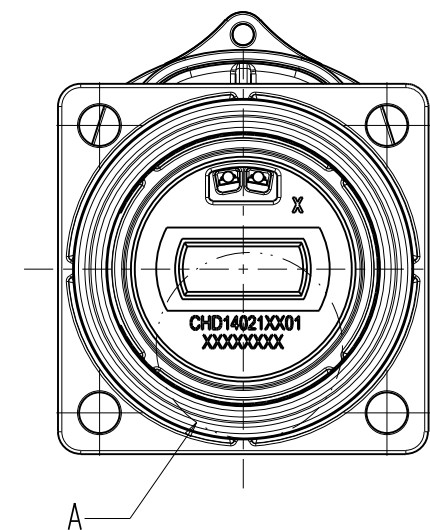
THE FIRST ROW IS THE PRODUCT PART NUMBER



SECTION B-B

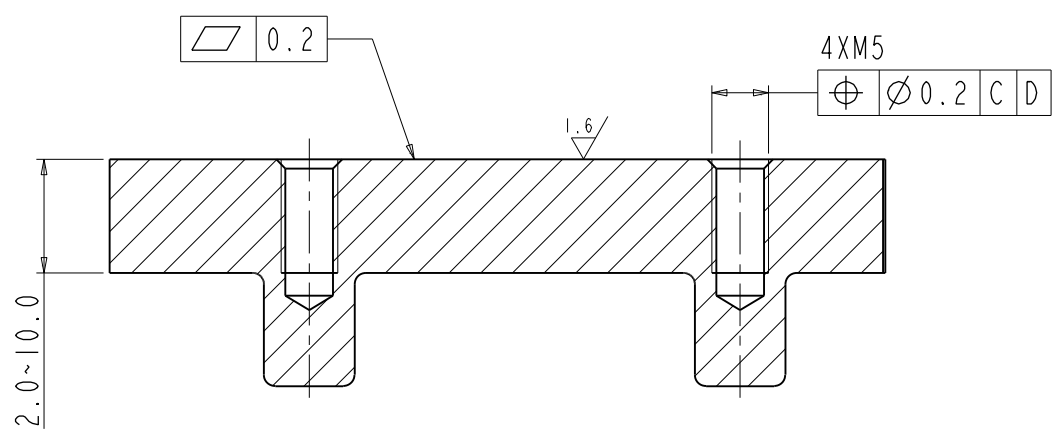


Detail A
Scale 2:1

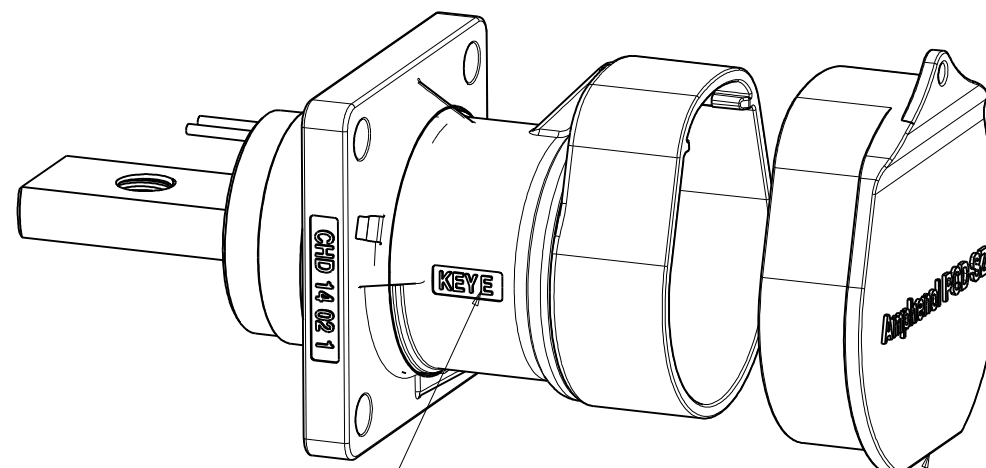


安费诺精密连接器(深圳)有限公司
Amphenol PCD Shenzhen
受控文件
2024年8月30日

C-CHD14021XX01

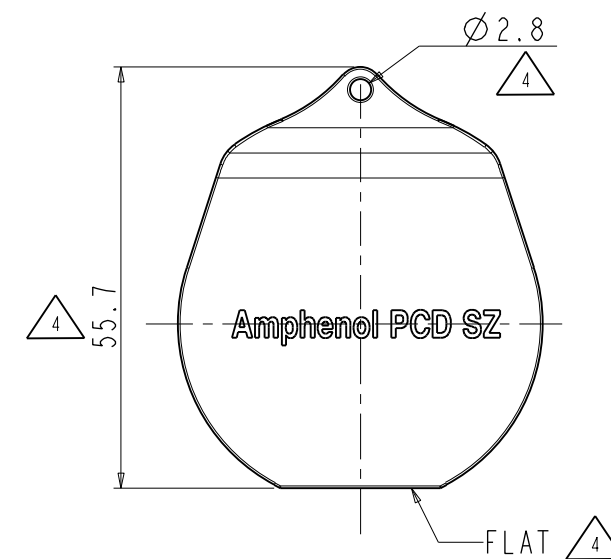


SECTION A-A



KEY DISTINGUISHING MARK

PROTECTIVE CAP
P/N: P01BP00572
MATED CONDITION: IP54



PROTECTIVE CAP SIDES

SIZE A3	DWG NO. C-CHD14021XX01	REV 4
SCALE: 1:1		SHEET 3 OF 3

C-CHD14021XX01