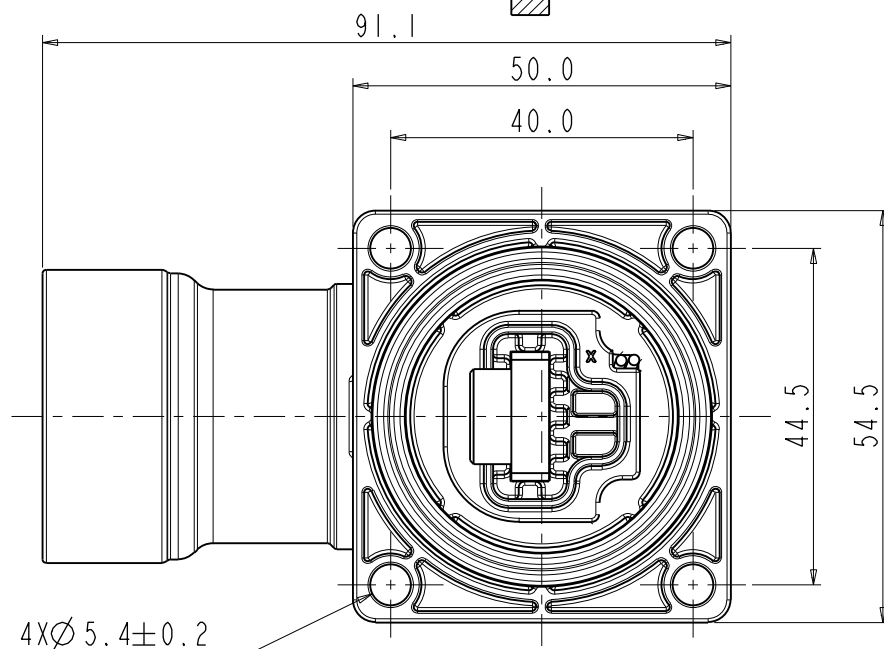
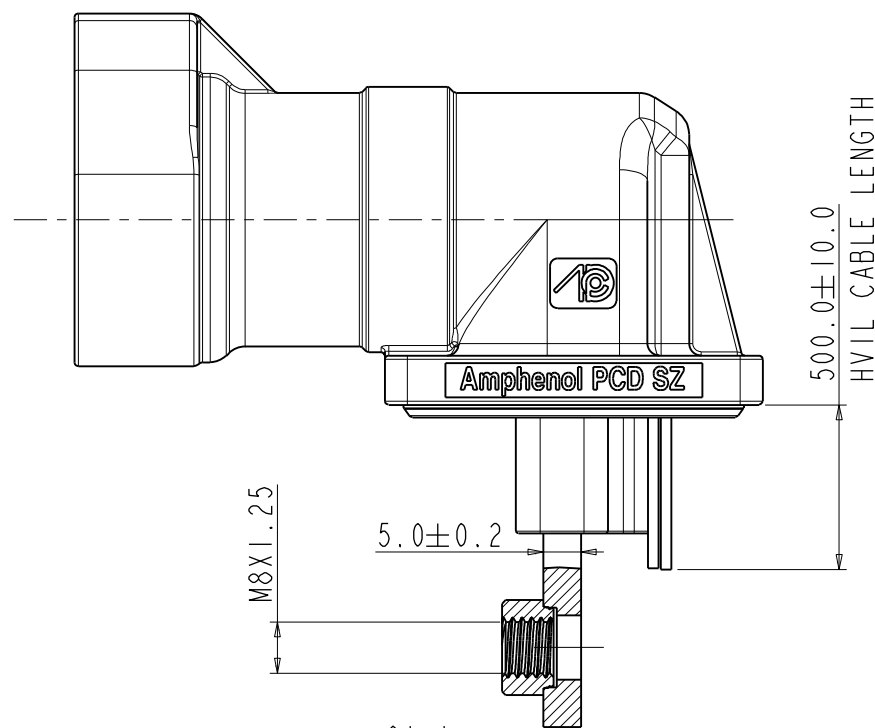
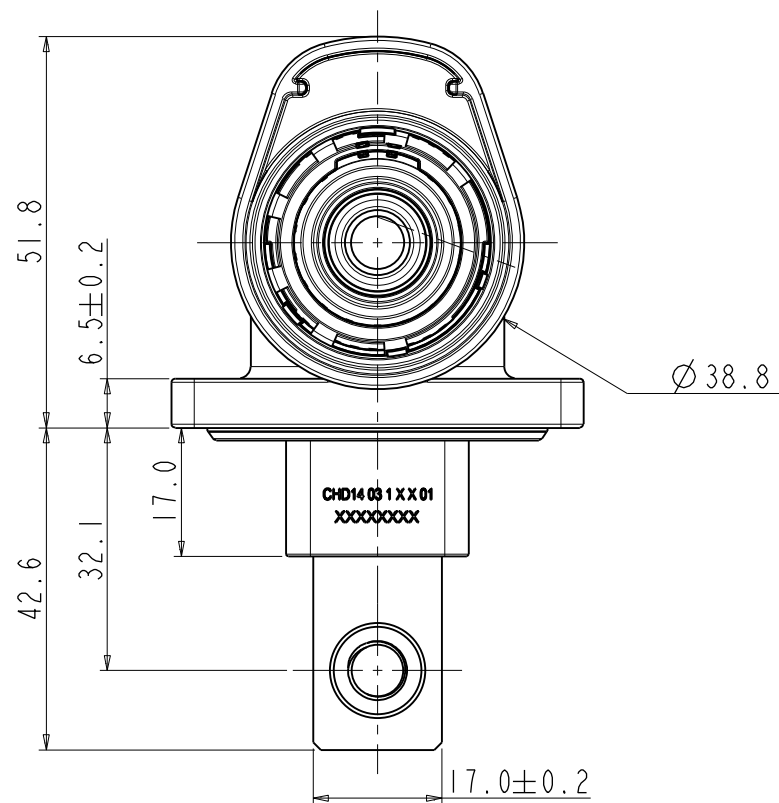


Amphenol PCDSZ  
ORIGINAL  
PDF Format  
R&D

REV	ECN	DESCRIPTION	DATE	MODIFIED
1		RELEASE	Dec-09-2021	
2	R6275N	ADD PROTECTIVE CAP	May-10-2022	
3	R6904N	INCREASE THE NUMBER OF ERROR PREVENTION KEYS	Mar-09-2023	
4	R8269W	ADJUST THE HOLE SITE OF CAP	Ju1-15-2024	



安费诺精密连接器(深圳)有限公司  
Amphenol PCD Shenzhen  
受控文件  
2024年8月30日

5. TECHNICAL DATA TABLE

TECHNICAL DATA		
CURRENT RATE (150MM <sup>2</sup> SHIELD CABLE)	500A @ AMBIENT 70°C	+
CURRENT RATE (120MM <sup>2</sup> SHIELD TINNED CABLE)	450A @ AMBIENT 70°C	+
CURRENT RATE (120MM <sup>2</sup> SHIELD BARE COPPER CABLE)	430A @ AMBIENT 70°C	+
CURRENT RATE (95MM <sup>2</sup> SHIELD TINNED CABLE)	400A @ AMBIENT 70°C	+
CURRENT RATE (95MM <sup>2</sup> SHIELD BARE COPPER CABLE)	350A @ AMBIENT 70°C	+
CURRENT RATE (70MM <sup>2</sup> SHIELD BARE COPPER CABLE)	300A @ AMBIENT 70°C	+
RATING VOLTAGE (OVERVOLTAGE CATEGORY II POLLUTION DEGREE 2)	1500V DC	+
OPERATING TEMPERATURE	-40~125°C	
DIELECTRIC WITHSTANDING VOLTAGE	4000V AC(RMS)	+
INSULATION RESISTANCE	200MΩ MIN.@25	+
DURABILITY	50 CYCLES	⊙
SHIELDING	YES	
WATERPROOF (UNMATED CONDITION)	IP67, IP6K9K	+
PROTECTION LEVEL (UNMATED)	IP2XB	+
AMBIENT TEMPERATURE	-40~70°C	
RoHS&REACH	YES	+

NOTES:

- MATERIAL & FINISH:  
BODY: ALUMINUM ALLOY , NEUTRAL SALT SPRAY MEETS 500H.  
POWER CONTACT: COPPER ALLOY SILVER & TIN PLATED  
HVIL CONTACTS: COPPER ALLOY TIN PLATED  
SEAL RING: SR
- THE FLANGE IS LOCKED WITH M5 BOLTS, AND THE LOCKING TORQUE IS 5.9N.M (REFERENCE STANDARD: DIN-EN20273)
- THE COPPER BAR IS LOCKED WITH M8 BOLTS, AND THE LOCKING TORQUE IS 13.4N.M (REFERENCE STANDARD: NFF 61-017)
- PART NUMBERING SCHEME:

CHD 14 03 1 X X 01

- A: CODING A
- B: CODING B
- C: CODING C
- D: CODING D
- E: CODING E
- 0: WITHOUT HVIL
- 1: WITH HVIL
- 01: COPPER BAR(M8X1.25)

+: CRITICAL CHARACTERISTICS / 关键特性  
⊙: IMPORTANT CHARACTERISTICS / 重要特性

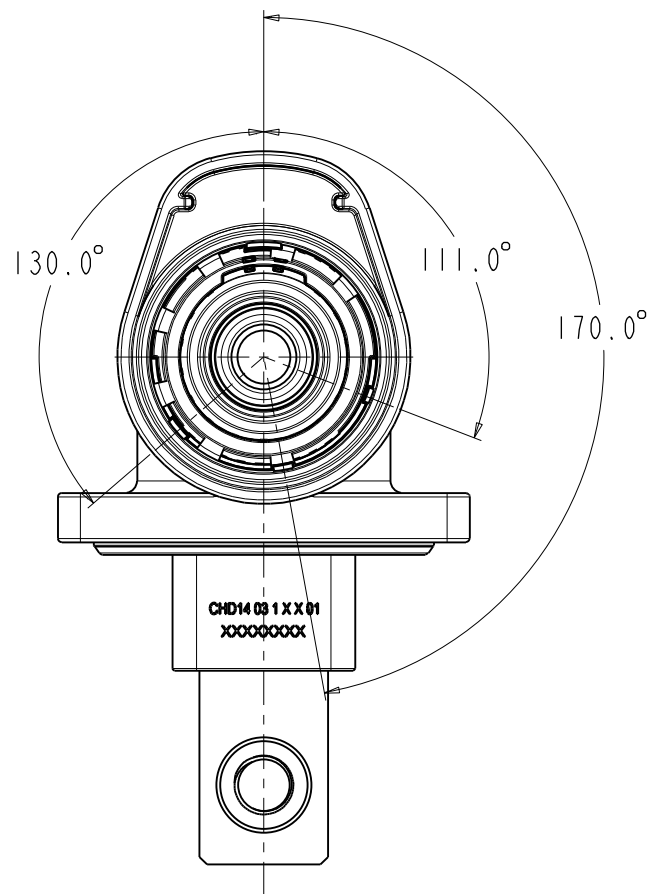
DIMENSIONS	TOLERANCES	PROJECTION	ENGR
ANSI Y14.5M UNITS: MM Pro/E FILE	.X ±0.5 .XX ±0.05 ANGLES ±2°		Dec-09-2021
ORIGINAL	THIS DOCUMENT CONTAINS PROPRIETARY INFORMATION WHICH IS THE CONFIDENTIAL PROPERTY OF Amphenol PCD Shenzhen Co. Ltd Amphenol PCD Shenzhen Co. Ltd RESERVES THE RIGHT TO CLARIFY THIS DRAWING		CHKD APPD

TITLE		
<b>CHD 14 03 1 X X 01 RECEPTACLE ASSEMBLY</b>		
SIZE <b>A3</b>	DWG NO. <b>C-CHD14031XX01</b>	REV <b>4</b>
SCALE: 1:1		SHEET 1 OF 3

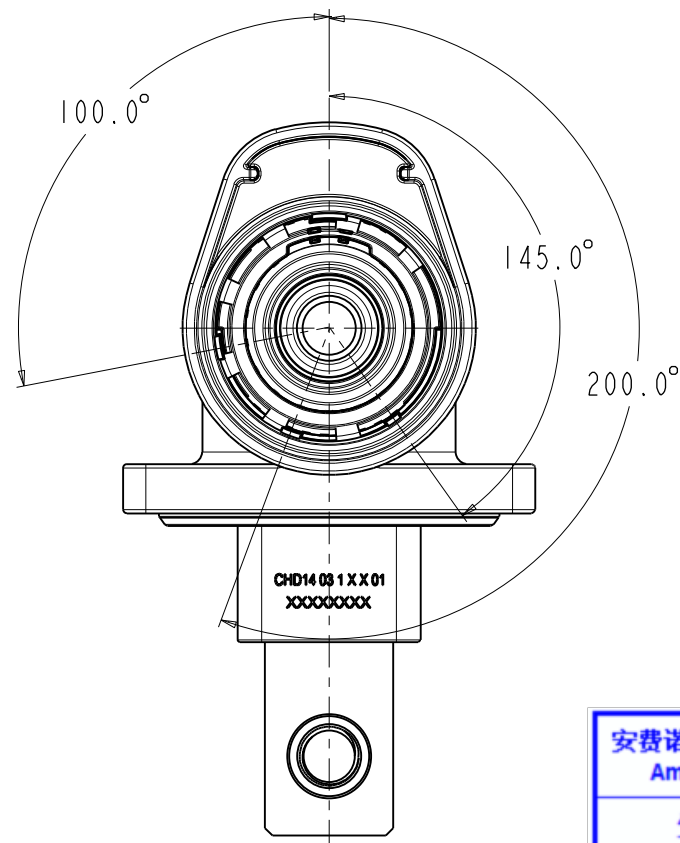
C-CHD14031XX01

C-CHD14031XX01

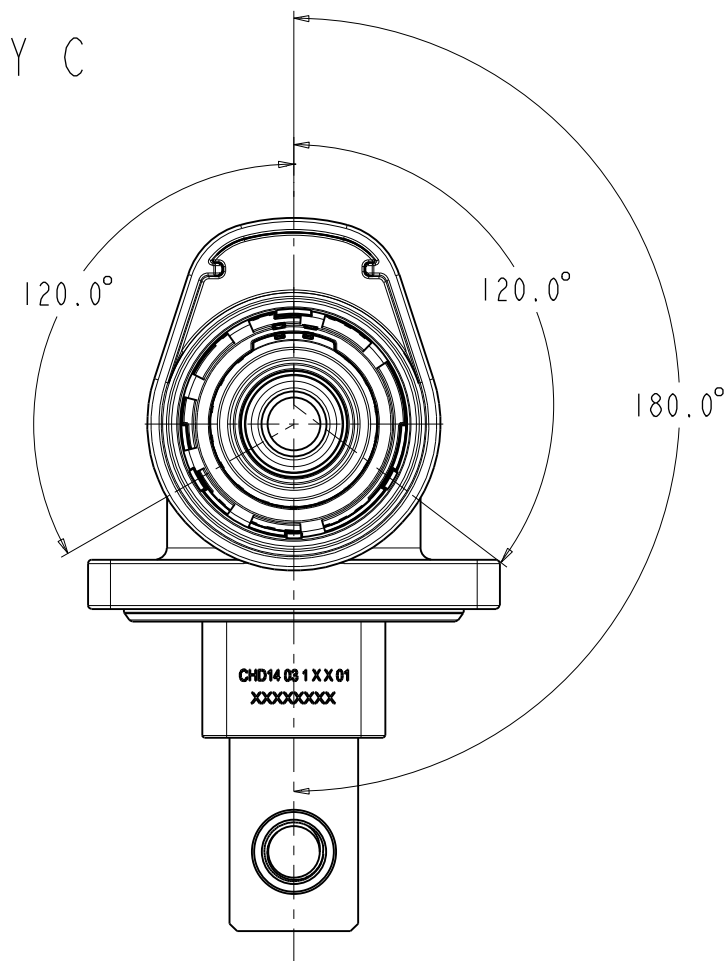
KEY A



KEY B

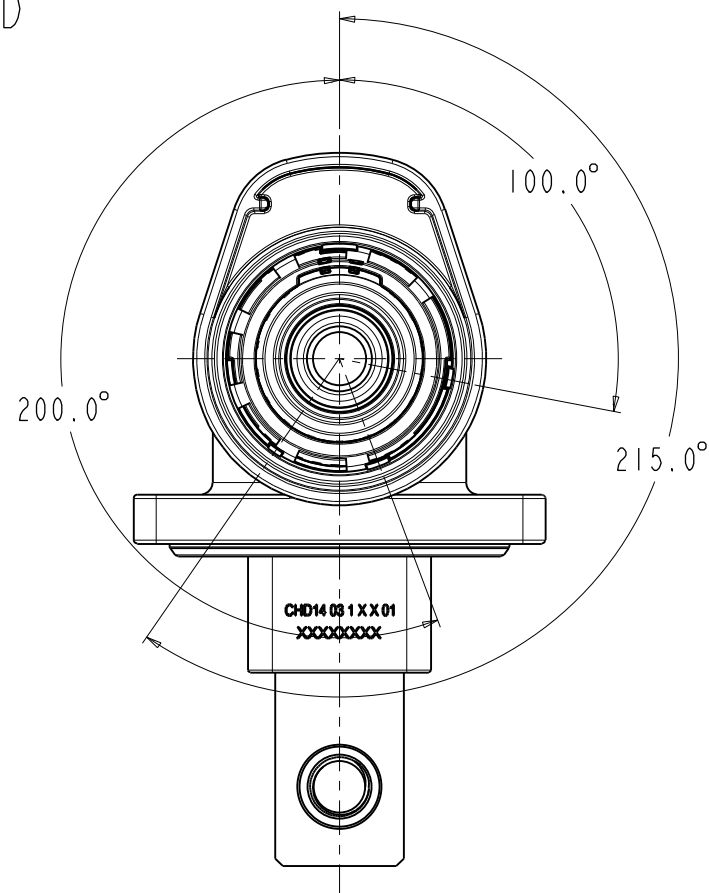


KEY C

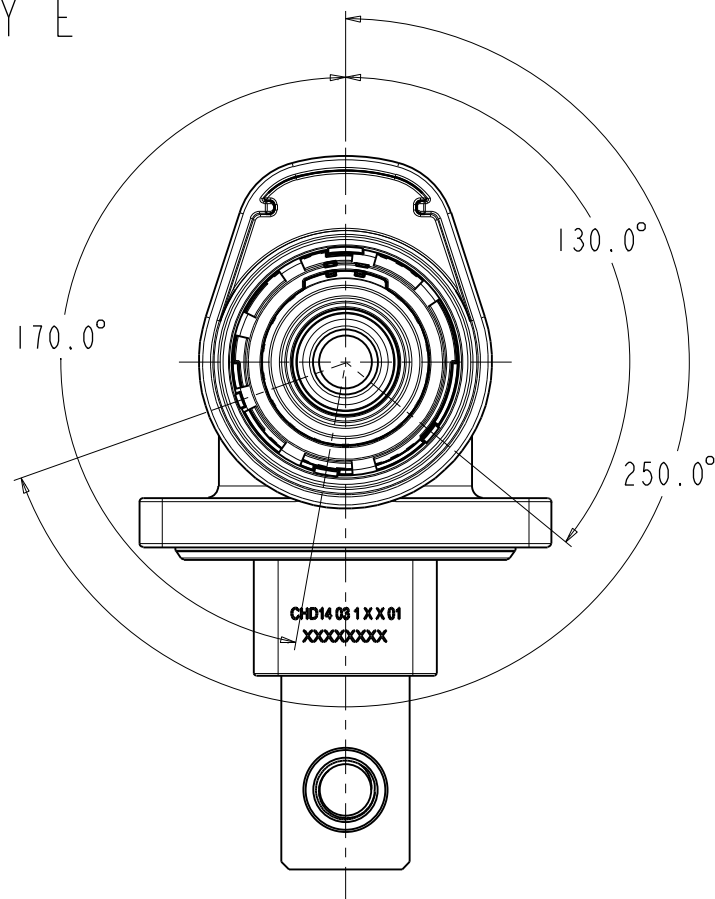


安费诺精密连接器(深圳)有限公司  
Amphenol PCD Shenzhen  
受控文件  
2024年8月30日

KEY D



KEY E



PRODUCT ANGLE DISTRIBUTION

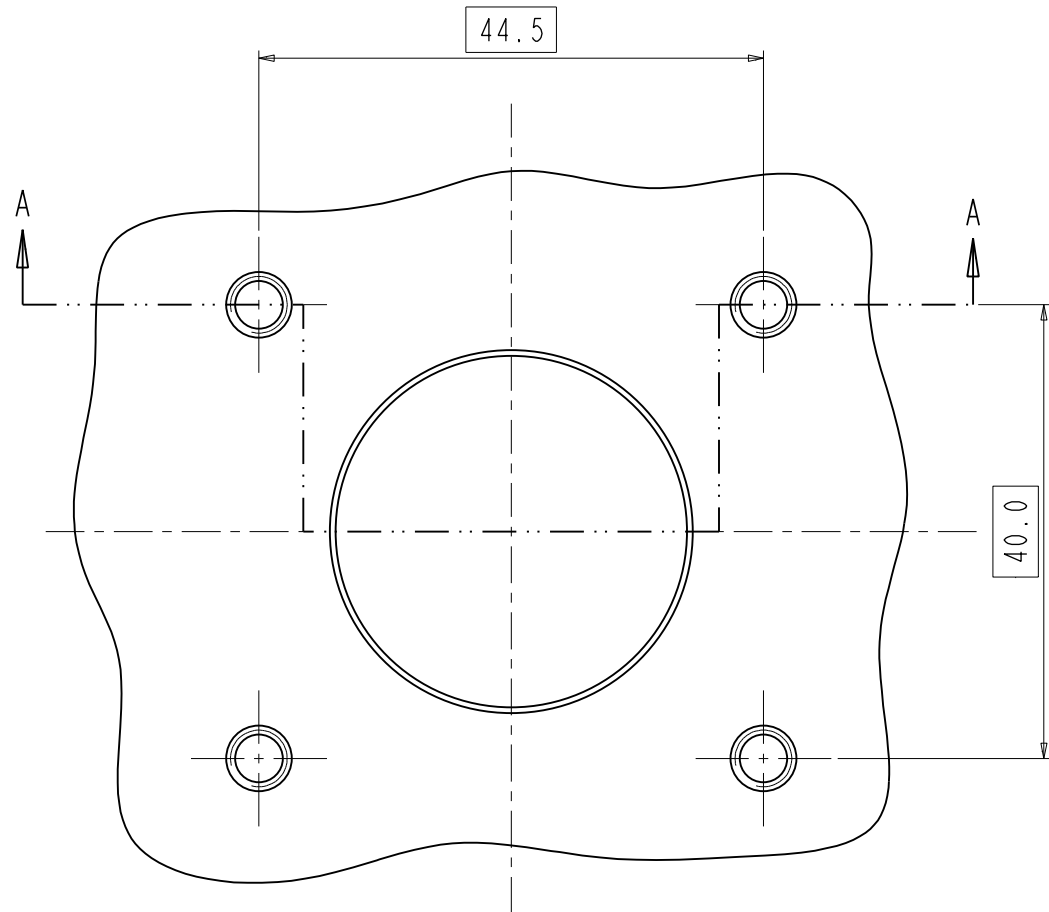
KEY X	ANGLE W°	ANGLE A°	ANGLE B°	COLOR
KEY A	110	170	130	RED
KEY B	145	200	100	BLACK
KEY C	180	120	120	YELLOW
KEY D	215	100	200	GREEN
KEY E	250	130	170	BLUE

SIZE <b>A3</b>	DWG NO. <b>C-CHD14031XX01</b>	REV <b>4</b>
SCALE: 1:1		SHEET 2 OF 3

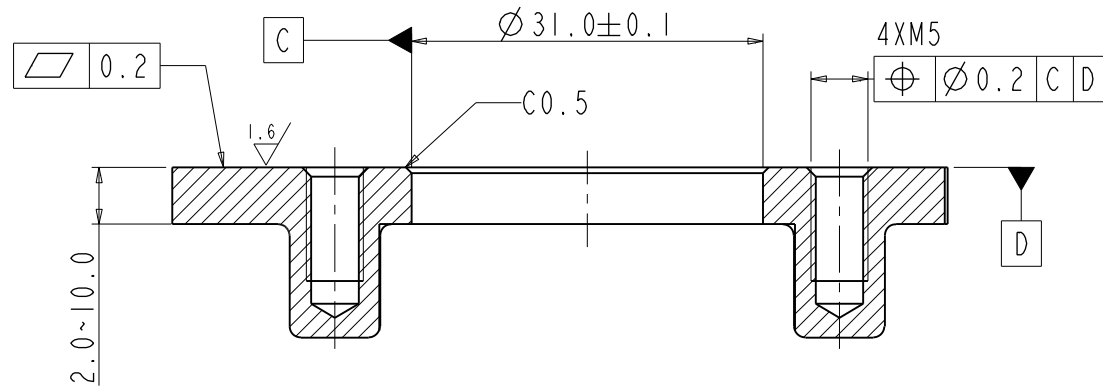
C-CHD14031XX01

C-CHD14031XX01

RECOMMENDED MOUNTING PLATE

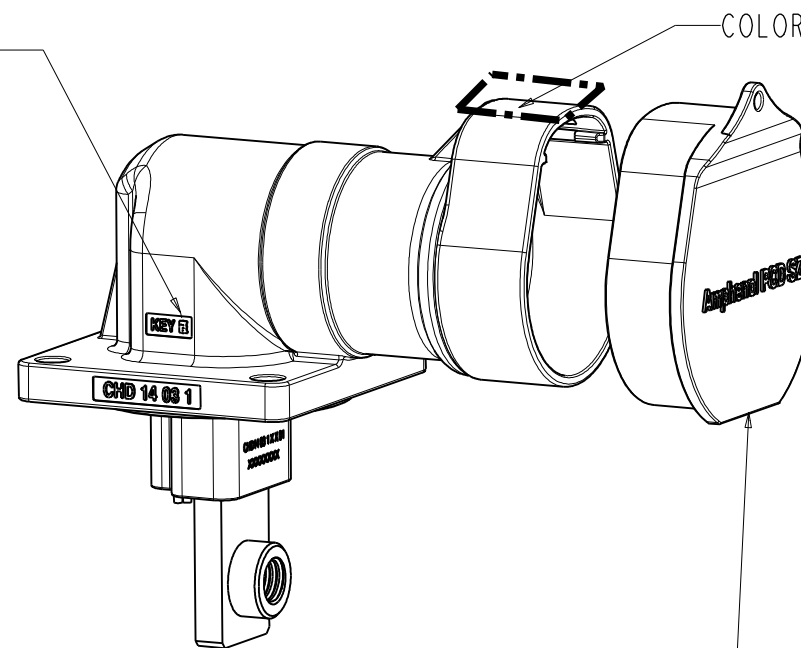


比例 3:2

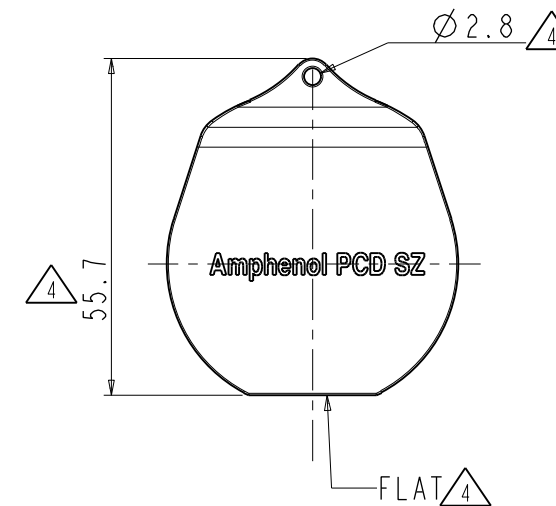


截面 A-A

KEY DISTINGUISHING MARK



PROTECTIVE CAP  
P/N: P01BP00572  
MATED CONDITION: IP54

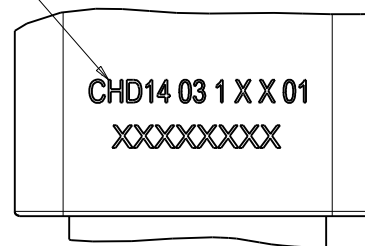


PROTECTIVE CAP SIDES

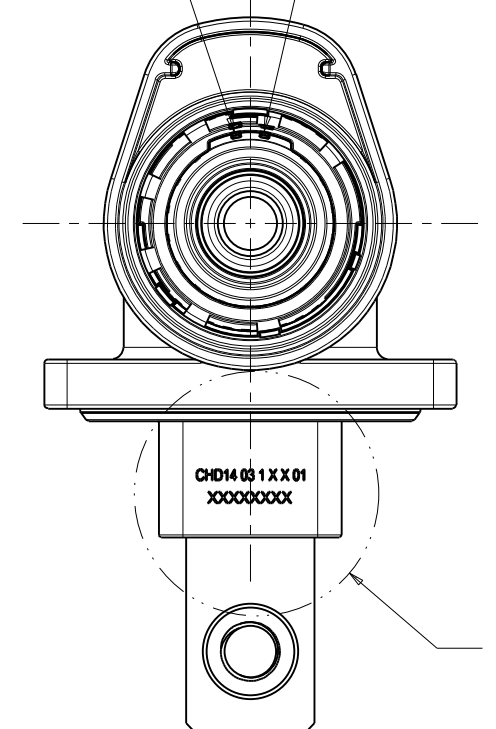
HVIL WITH BLACK SIGNAL  
CABLE 0.5MM<sup>2</sup>

HVIL WITH RED SIGNAL  
CABLE 0.5MM<sup>2</sup>

THE FIRST ROW IS THE  
PRODUCT PART NUMBER



Detail A  
Scale 2:1



SIZE <b>A3</b>	DWG NO. <b>C-CHD14031XX01</b>	REV <b>4</b>
SCALE: 1:1		SHEET 3 OF 3