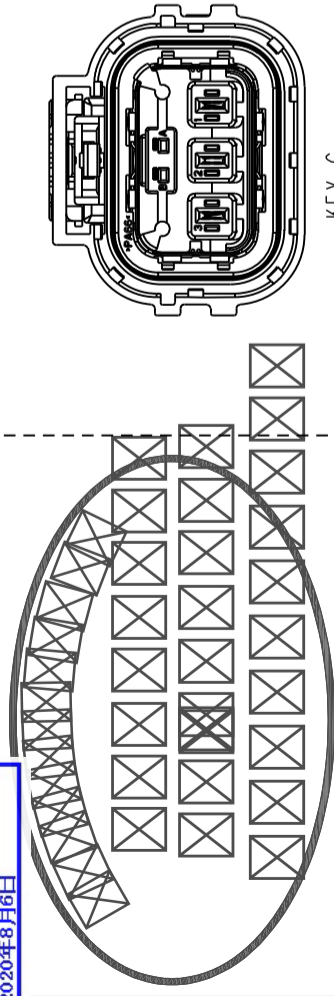
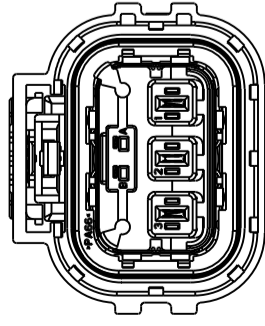


REV	ECN	DESCRIPTION	DATE	MODIFIED
1		RELEASE	2019.9.23	
2	R4025W	CHANGE THE FERRULE P/N	2020.03.03	
3	R4591N	CHANGE THE CURRENT&CABLE OUTSIDE DIAMETER	2020.8.1	



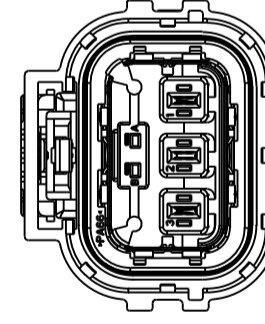
KEY C

C-HVSL280 06 3 C X XX XX



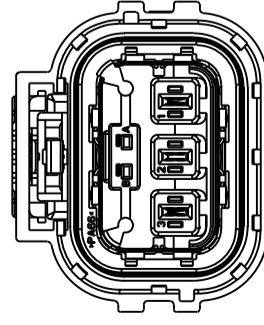
KEY A

C-HVSL280 06 3 A X XX XX



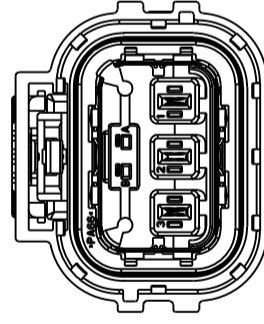
KEY D

C-HVSL280 06 3 D X XX XX



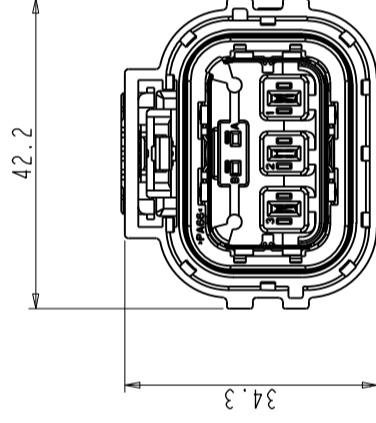
KEY B

C-HVSL280 06 3 B X XX XX

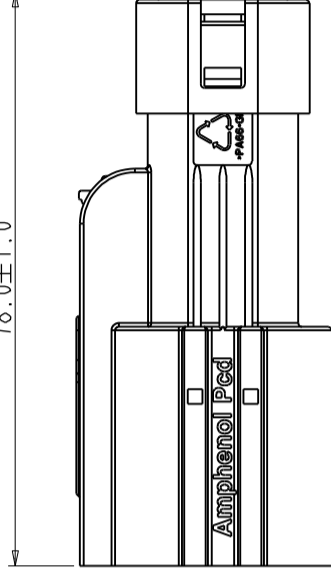


KEY E

C-HVSL280 06 3 E X XX XX



78.0±1.0



4. TECHNICAL DATA TABLE

TECHNICAL DATA	
CURRENT RATING	HVIL CONTACT 5A (0.5-0.75mm ² : OUTSIDE DIAMETER Ø 1.4-1.9mm) POWER CONTACT 23A @ AMBIENT 70 (2.5mm ² CABLE) 32A @ AMBIENT 70 (4mm ² CABLE)
UL RATING VOLTAGE (COVER VOLTAGE CATEGORY II POLLUTION DEGREE 2)	1000V DC
OPERATING TEMPERATURE	-40~125°C
DIELECTRIC WITH STANDING VOLTAGE	3000V AC
INSULATION RESISTANCE	100MΩ MIN
DURABILITY	50 CYCLES
SHIELDING	YES
WATERPROOF (MATED CONDITION)	IP67&IP6K9K
PROTECTION LEVEL	IP2XB
AMBIENT TEMPERATURE	-40~70°C
RoHS	YES



NOTES:

- MATERIAL & FINISH:
PLASTIC BODY: THERMOPLASTICS PA66+GF25 ORANGE COLOR
POWER CONTACTS: COPPER ALLOY WITH TIN PLATED
HVIL CONTACTS: COPPER ALLOY WITH TIN PLATED
SHIELD: COPPER ALLOY WITH TIN PLATED
SEAL: SILICONE

2. TECHNICAL DATA SHEET: APCD-TD-794

3. PART NUMBER DESCRIPTION:

HVSL 280 06 3 X X XX XX	
CODE:	HVIL: WIRE SIZE: CABLE OD:
A: CODING A	0: WITHOUT HVIL 03: 2.5mm ² 10: 10±0.5mm
B: CODING B	1: WITH HVIL 04: 4mm ² 11: 11±0.5mm
C: CODING C	12: 12±0.5mm
D: CODING D	13: 13+0/-0.5mm
E: CODING E	

- ✦ CRITICAL CHARACTERISTIC MARKS/关键特性符号
- ◎ IMPORTANT CHARACTERISTIC MARKS/重要特性符号

DIMENSIONS		TOLERANCES		PROJECTION		TITLE	
ANSI Y14.5M	X ±0.5	CONICAL	ENGR	HVSL280 PLUG ASSEMBLY			
UNITS: MM	.XX ±0.05	CIRCULAR	CHKD	SIZE DWG NO. REV			
PRO/E FILE	ANGLES ±0.5°	THIS DOCUMENT CONTAINS PROPRIETARY INFORMATION WHICH IS THE CONFIDENTIAL PROPERTY OF AMPHENOL PCD SHENZHEN		A3 C-HVSL280063XXXXXX 3			
ORIGINAL				CODE: 58982 SCALE:0.9:1 SHEET 1 OF 3			