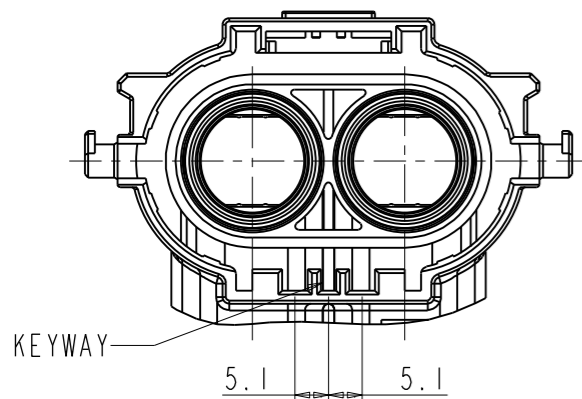
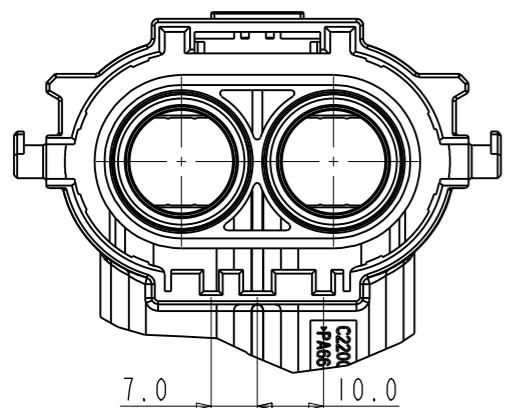


Amphenol PCDSZ
ORIGINAL
PDF Format
R&D

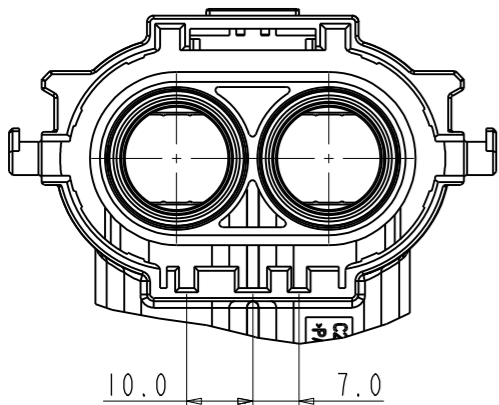
REV	ECN	DESCRIPTION	DATE	MODIFIED
A		PRE-RELEASE	2018.11.14	
B	R3345-N	ADD NEW SPECIFICATIONS	2019.06.18	
C	R3754-N	ADD NEW SPECIFICATIONS	2019.10.21	
D	R4110N	CHANGE THE KEY STRUCTURE	2020.02.24	
E	R4578-N	UPDATE	2020.07.17	



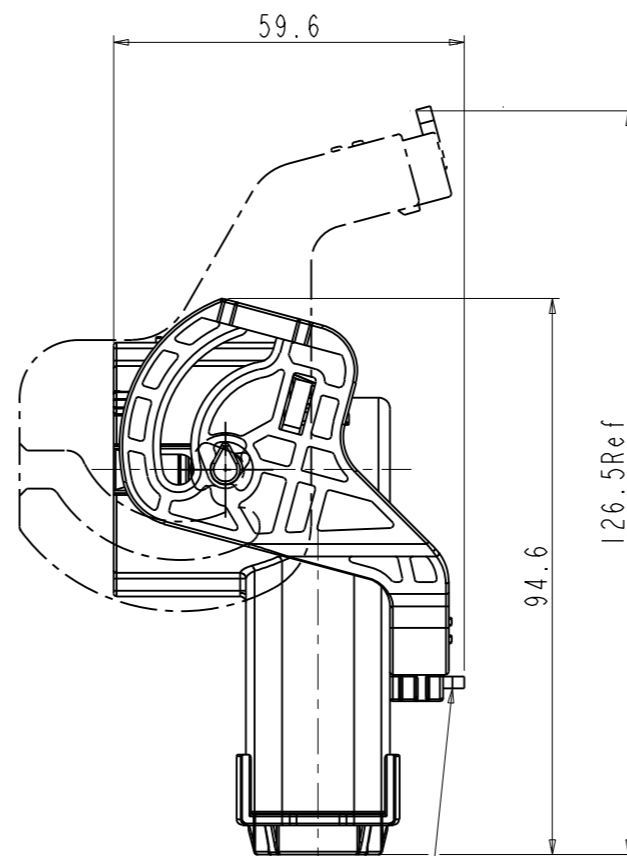
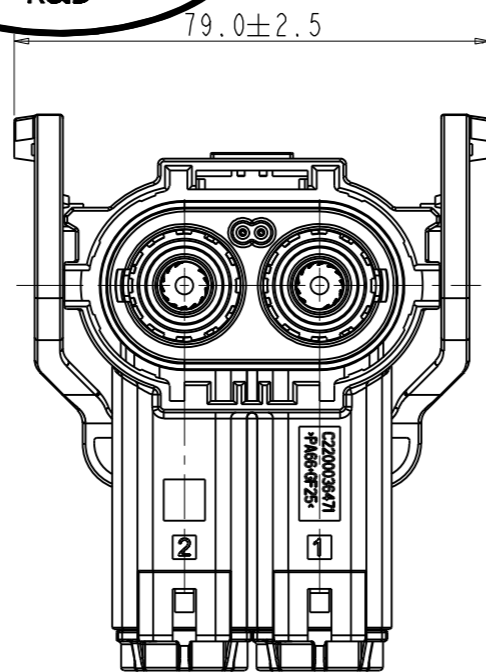
HVSL800082AXXX
CODING A



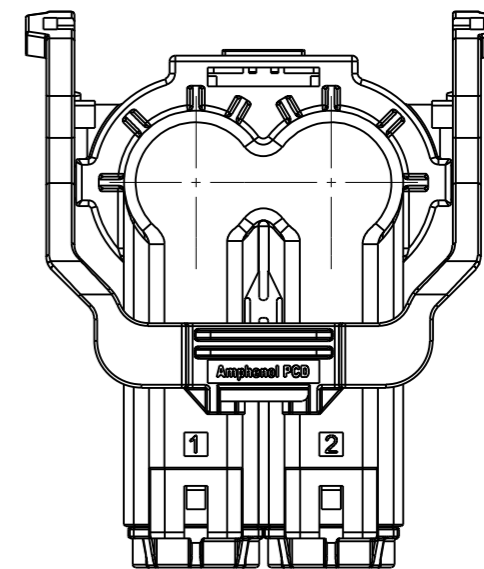
HVSL800082BXXX
CODING B



HVSL800082CXXX
CODING C



DELIVERY CONDITION:
CPA ON LOCKED POSITION



NOTES:

- MATERIAL & FINISH:
PLASTIC BODY: THERMOPLASTICS ORANGE COLOR
POWER CONTACT: COPPER ALLOY SILVER PLATED
SEAL RING:SI

2. PART NUMBER DESCRIPTION:

HVSL800 08 2 X X XX

- | | | |
|-------------|-----------------|-------------------------------------|
| A: CODING A | 0: WITHOUT HVIL | 50: CROSS-SECTION 50mm ² |
| B: CODING B | 1: WITH HVIL | WIRE OD=16.5 ± 0.3mm |
| C: CODING C | | 35: CROSS-SECTION 35mm ² |
| | | WIRE OD=14.2 ± 0.4mm |
| | | 25: CROSS-SECTION 25mm ² |
| | | WIRE OD=11.9 ± 0.3mm |
| | | 01: CROSS-SECTION 25mm ² |
| | | WIRE OD=13.5 ± 0.3mm |
| | | 02: CROSS-SECTION 50mm ² |
| | | WIRE OD=15.5 ± 0.3mm |

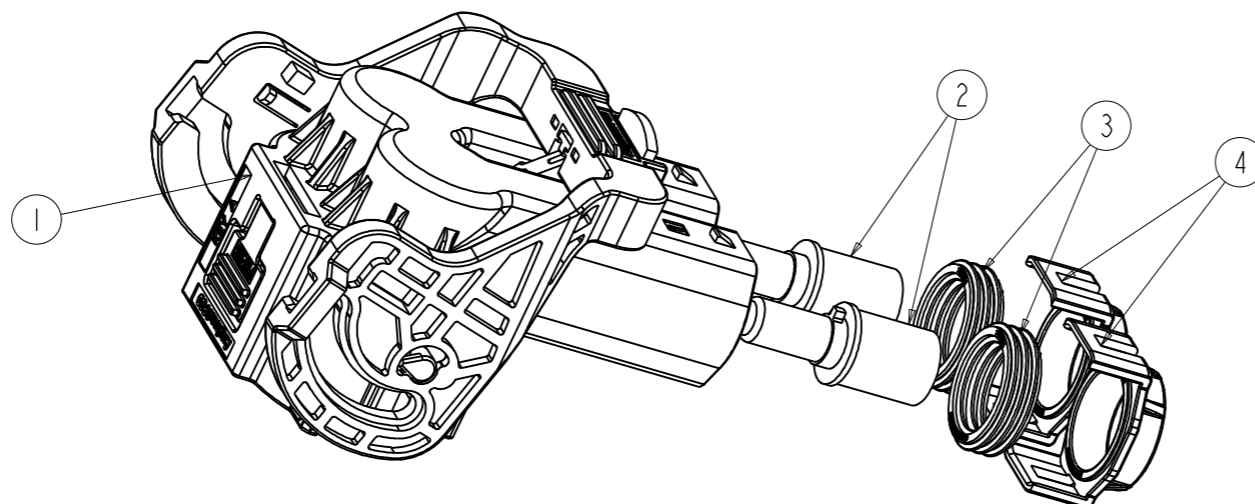
3. TECHNICAL DATA TABLE

TECHNICAL DATA		REMARK
CURRENT RATE(25mm ² SHIELD CABLE)	120A@ AMBIENT TEMPERATUR 70°C	+
CURRENT RATE(35mm ² SHIELD CABLE)	150A@ AMBIENT TEMPERATUR 70°C	+
CURRENT RATE(50mm ² SHIELD CABLE)	180A@ AMBIENT TEMPERATUR 70°C	+
RATING VOLTAGE (OVERVOLTAGE CATEGORY II POLLUTION DEGREE 2)	1000V DC	+
OPERATING TEMPERATURE	-40~125°C	
DIELECTRIC WITHSTANDING VOLTAGE	3000V AC (RMS)	+
INSULATION RESISTANCE	100MΩ MIN.	+
DURABILITY	50 CYCLES	⊙
SHIELDING	YES	
WATERPROF(MATED CONDITION)	IP 67, IP6K9K	+
PROTECTION LEVEL	IP2XB	+
AMBIENT TEMPERATURE	-40~70°C	
RoHS	YES	+

DIMENSIONS	TOLERANCES	PROJECTION	TITLE		
ANSI Y14.5M UNITS: MM Pro/E FILE	.X ±0.5 .XX ±0.05 ANGLES ±0.5°		HVSL 800 08 2 X X XX R/A PLUG ASSEMBLY		
	THIS DOCUMENT CONTAINS PROPRIETARY INFORMATION WHICH IS THE CONFIDENTIAL PROPERTY OF AMPHENOL PCD SHENZHEN		ENGR	25/04/16	
			CHKD		SIZE A3
			APPD		DWG NO. C-HVSL800082XXXX
					REV E
				CODE: 58982	SCALE: 1:2
					SHEET 1 OF 2

C-HVSL800082XXXX

C-HVSL800082XXXX



4. ASSEMBLY AND DETAIL BOM LIST SHOW

HVSL800082XIXX	4	C4220036831	50mm ²	2	END CAP (WIRE OD=16.5±0.3mm)
		C4220036832	35mm ²	2	END CAP (WIRE OD=14.2±0.3mm)
		C4220036833	25mm ²	2	END CAP (WIRE OD=11.9±0.3mm)
		C4220036835	25mm ²	2	END CAP (WIRE OD=13.5±0.3mm)
		C4220036836	50mm ²	2	END CAP (WIRE OD=15.5±0.3mm)
	3	C4270036451	50mm ²	2	SEAL (WIRE OD=16.5±0.3mm)
		C4270036452	35mm ²	2	SEAL (WIRE OD=14.2±0.3mm)
		C4270036453	25mm ²	2	SEAL (WIRE OD=11.9±0.3mm)
		P03BR00141	25mm ²	2	SEAL (WIRE OD=13.5±0.3mm)
		P03BR00197	50mm ²	2	SEAL (WIRE OD=15.5±0.3mm)
	2	C4200036541	50mm ²	2	SOCKET CONTACT BODY
		C4200036542	35mm ²	2	
		C4200036543	25mm ²	2	
	1	HVSL800082XI	N/A	1	BODY&HVIL
ITEM	P/N	CABLE SIZE	Q'ty	DESCRIPTION	

HVSL800082X0XX	4	C4220036831	50mm ²	2	END CAP (WIRE OD=16.5±0.3mm)
		C4220036832	35mm ²	2	END CAP (WIRE OD=14.2±0.3mm)
		C4220036833	25mm ²	2	END CAP (WIRE OD=11.9±0.3mm)
		C4220036835	25mm ²	2	END CAP (WIRE OD=13.5±0.3mm)
		C4220036836	50mm ²	2	END CAP (WIRE OD=15.5±0.3mm)
	3	C4270036451	50mm ²	2	SEAL (WIRE OD=16.5±0.3mm)
		C4270036452	35mm ²	2	SEAL (WIRE OD=14.2±0.3mm)
		C4270036453	25mm ²	2	SEAL (WIRE OD=11.9±0.3mm)
		P03BR00141	25mm ²	2	SEAL (WIRE OD=13.5±0.3mm)
		P03BR00197	50mm ²	2	SEAL (WIRE OD=15.5±0.3mm)
	2	C4200036541	50mm ²	2	SOCKET CONTACT BODY
		C4200036542	35mm ²	2	
		C4200036543	25mm ²	2	
	1	HVSL800082X0	N/A	1	BODY&HVIL
ITEM	P/N	CABLE SIZE	Q'ty	DESCRIPTION	

HVSL800082XI SELECTION:

MAIN BODY P/N	KEY X
HVSL800082AI	KEY A
HVSL800082BI	KEY B
HVSL800082CI	KEY C

HVSL800082X0 SELECTION:

MAIN BODY P/N	KEY X
HVSL800082A0	KEY A
HVSL800082B0	KEY B
HVSL800082C0	KEY C

SIZE	DWG NO.	REV
A3	C-HVSL800082XXXX	E
CODE: 58982	SCALE: 1:2	SHEET 2 OF 2

C-HVSL800082XXXX

C-HVSL800082XXXX