



AMPHENOL PCD



EXCEL | MATE

HVSL Series

Ref. No: HVSL-ALL-0824

www.amphenolpcd.com.cn

HIGHPOWER @ AMPHENOL
TRUSTED GLOBALLY



When high-performance and increased safety are required in HEV, Amphenol PCD's **EXCEL | MATE** connectors fulfill the challenge.

HVSL Series is designed for various HEV applications, including power and signal interconnect solutions. Different versions are available, from 1 position to 6 positions and a rated current from 20A to 450A.

Product	HVSL 1400	HVSL 1200	HVSLP 1200	HVSL 1000	HVSLP 1000	HVSL F180	HVSL 800	HVSLP 800	HVPC 800	HVSL 800	HVSL 8003	HVSL 600	HVSL 600	HVSL 630	HVSL 633	HVSL 635B	HVSL 280	HVSL 282	HVSL 362	HVSL 364	HVSL 365	HVSL 366
Position	2	2	2	1, 2, 3	2	2	2, 3	2	2	2	2	2, 3	1	2	3	5	3	2	2	3, 4	5	6
Rated Voltage	1000V	1000V	1000V	1000V	1000V	1000V	1000V	1000V	1000V	1000V	1000V	1000V	1000V	1000V	1000V	690V	1000V	1000V	1000V	1000V	1000V	1000V
Rated Current	450A	350A	400A	250A	250A	270A	180A	200A	180A	180A	180A	120A	120A	40A	40A	40A	32A	32A	95A	80A	40A	40A
HVIL	√	√	√	√	√	√	√	√	√	√	√	√	√	√	√	√	√	√	√	√	√	√
Shielding	√	√	√	√	√	√	√	√	√	√	√	√	√	√	√	√	√	√	√	√	√	√
Shell	Plastic	Plastic	Plastic	Plastic	Plastic	Plastic	Plastic	Plastic	Metal	Metal	Metal	Metal	Plastic	Plastic	Plastic	Plastic	Plastic	Plastic	Plastic	Plastic	Plastic	Plastic
IP67,IP6K9K	√	√	√	√	√	√	√	√	√	√	√	√	√	√	√	√	√	√	√	√	√	√
Touch-Proof IP2XB	√	√	√	√	√	√	√	√	√	√	√	√	√	√	√	√	√	√	√	√	√	√
Cable size mm ²	70 to 120	70 to 95	70 to 95	25 to 70	50 to 70	25 to 70	25 to 50	16 to 50	35 to 50	25 to 50	25 to 50	16 to 25 6/8AWG	25	4 to 6	2.5 to 6	2.5 to 6	2.5 to 4	2.5 to 4	6 to 16	2.5 to 16	2.5 to 6	2.5 to 6
Cable type shielded wire	I	I	I	I	I	I	I	I	I	I	I	I	I	M	I	M	M	I/M	I	I	I	I

Cable type shielded wire
I: Individually / **M:** Multicore

Excel|Mate Eco (HVSL 364)

Excel|Mate Eco (HVSL364) - 3 to 4 pins



HVSL364

HVSL364 is a 3 to 4 position connector with plastic housing, high voltage, integrated HVIL. It provides a current carrying capacity up to 80A and 2.5 to 16mm² crimping cable.

Specially designed for DC-DC, air-conditioner, and other equipment in HEV device applications.

KEY FEATURES

Integrated internal HVIL

Current rating up to 80A @ ambient temperature 70°C

Two-stage, tool or thumb activated latching

No tool required to unmate

Sealing, IP67, IP6K9K (mated)

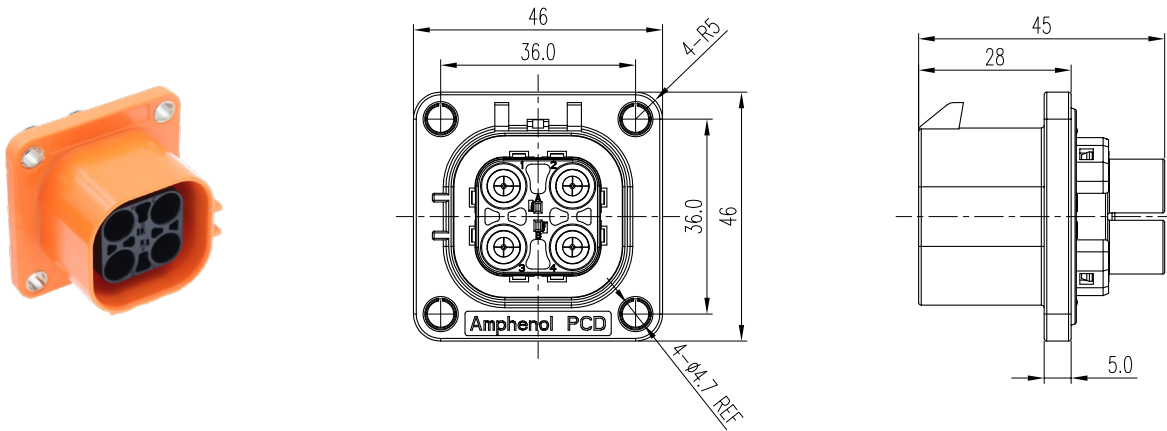
Touch-proof, IP2XB

Multiple coding positions

CPA available

MECHANICAL	
Durability	≥ 50 mating cycles
Wire range	
• Standard	2.5 to 16mm ² shielded wire
• Inline	2.5mm ² to 6AWG shielded wire
Insertion and extraction force	< 100N
Connection type	Crimping
Latching style	Two stage, finger actuated
HVIL	Integrated
CPA	Available
ELECTRICAL	
Rated voltage	1000V AC&DC
Rated current	80A Max @ ambient temperature 70°C
Insulator resistance	> 100MΩ
Dielectric withstand voltage	3000V AC
Shielding	360° from wire to device
ENVIRONMENTAL	
Sealing	IP67, IP6K9K (mated)
Touch-proof	IP2XB
Temperature range	-40°C to 125°C
STANDARDS	
USCAR-2	
USCAR-37	
LV-215	
RoHS	
MATERIAL	
Terminals	Copper/copper alloy with silver plating
Housing	PA66 + GF

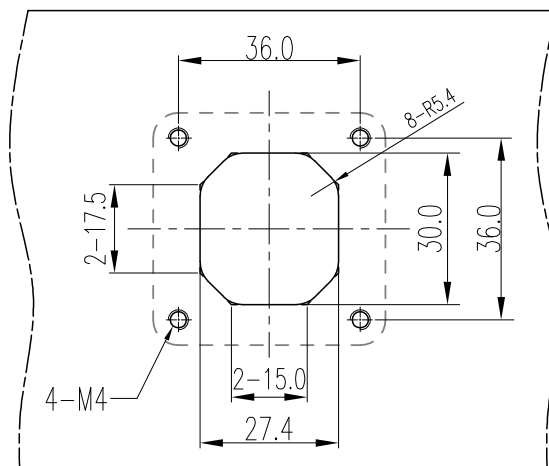
RECEPTACLE



CONTACTS

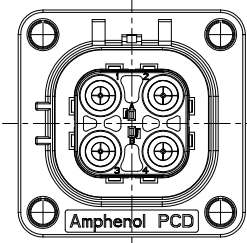
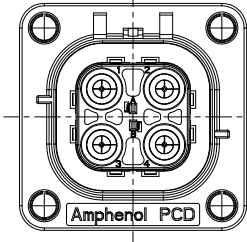
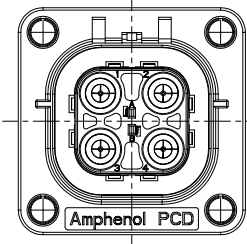
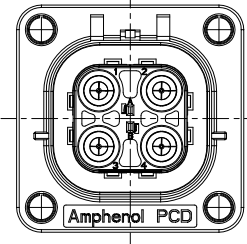
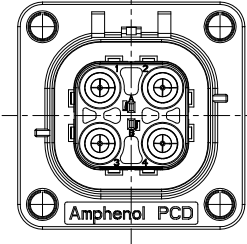
All connectors do not include contacts. Please order them separately (ref: P/N below)				
CONTACTS (Pin contact)				
HVIL CONTACTS	6mm ² (Machined)	6mm ² (Stamped)	4mm ²	2.5mm ²
P/N: C310003614S	P/N: C200012101	P/N: C310026000	P/N: C310026004	P/N: C310026006
6 to 10mm ² (Stamped)	16mm ² (Stamped)	Availability in terms of wire range		
P/N: C3100235011	P/N: P03BS00081	2.5mm² to 16mm² 3 to 4 PINS available		

PANEL MOUNTING DIMENSION

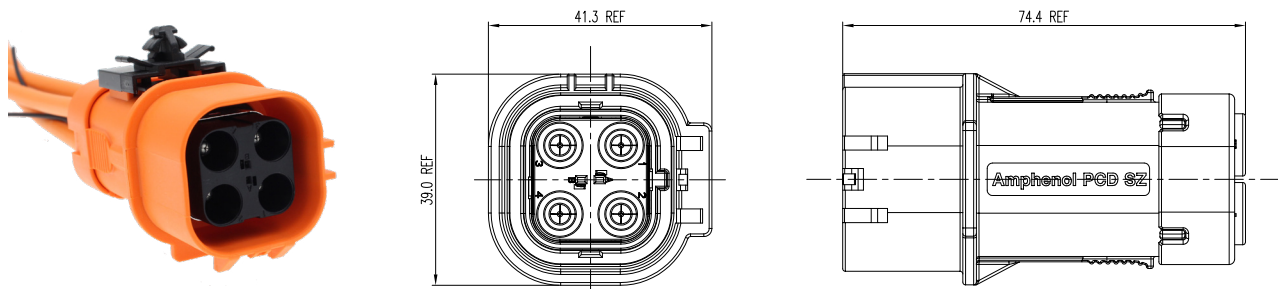


MOUNTING INTERFACE SPECIFICATION
RECOMMENDED THICKNESS: 3.0mm Min

PANEL MOUNTING HOLES POSITIONS

PART NUMBER	INSERT ORIENTATIONS
<p>HVSL364 024 A (2.5 to 6mm²)</p> <p>HVSL364 024 A S11 (10 to 16mm²)</p>	
<p>HVSL364 024 B (2.5 to 6mm²)</p> <p>HVSL364 024 B S11 (10 to 16mm²)</p>	
<p>HVSL364 024 C (2.5 to 6mm²)</p> <p>HVSL364 024 C S11 (10 to 16mm²)</p>	
<p>HVSL364 024 D (2.5 to 6mm²)</p> <p>HVSL364 024 D S11 (10 to 16mm²)</p>	
<p>HVSL364 024 E (2.5 to 6mm²)</p> <p>HVSL364 024 E S11 (10 to 16mm²)</p>	

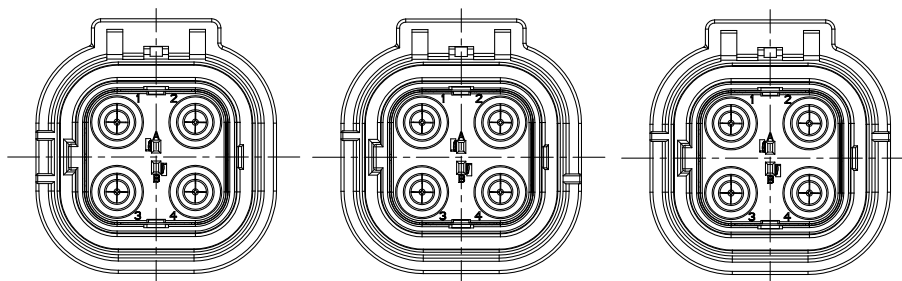
RECEPTACLE IN-LINE



CONTACTS

All connectors do not include contacts. Please order them separately (ref: P/N below)				
CONTACTS (Pin contact)				
HVIL CONTACTS	6mm ² (Machined)	6mm ² (Stamped)	4mm ²	2.5mm ²
P/N: C310003614S	P/N: C200012101	P/N: C310026000	P/N: C310026004	P/N: C310026006
6 to 10mm ² (Stamped)	6AWG (Stamped)	Availability in terms of wire range		
P/N: C3100235011	P/N: P03BS00081	2.5mm² to 6mm² 4 PINS only		
		10mm² to 13.3mm² (6AWG) 3 and 4 PINS both available		

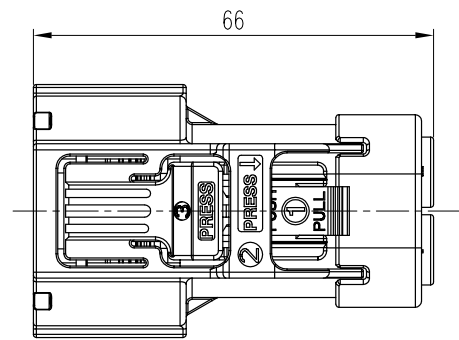
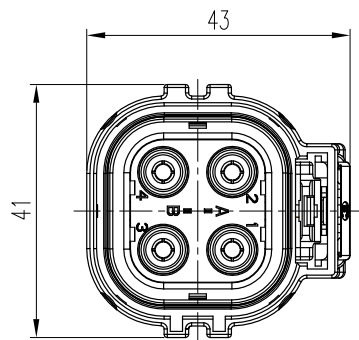
INSERT ORIENTATIONS



	Coding A	Coding B	Coding C
P/N	HVSL364 014 A 103IS1 (2.5mm ²)	HVSL364 014 B 103IS1 (2.5mm ²)	HVSL364 014 C 103IS1 (2.5mm ²)
	HVSL364 014 A XXXI (4 to 6mm ²)	HVSL364 014 B XXXI (4 to 6mm ²)	HVSL364 014 C XXXI (4 to 6mm ²)
	HVSL364 014 A XXXIS11 (10mm ² , 6AWG)	HVSL364 014 B XXXIS11 (10mm ² , 6AWG)	HVSL364 014 C XXXIS11 (10mm ² , 6AWG)

Excel|Mate Eco (HVSL 364)

PLUG



CONTACTS

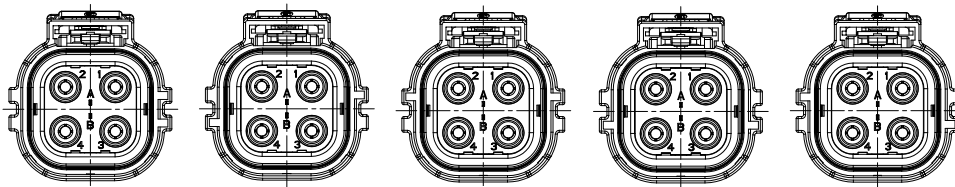
All connectors do not include contacts. Please order them separately (ref: P/N below)

CONTACTS (Socket contact)

HVIL CONTACTS	6mm ² (Machined)	6mm ² (Stamped)	4mm ²	2.5mm ²
Integrated, no need to buy.	P/N: C200012102	P/N: C310026001	P/N: C310026005	P/N: C310026007
-				

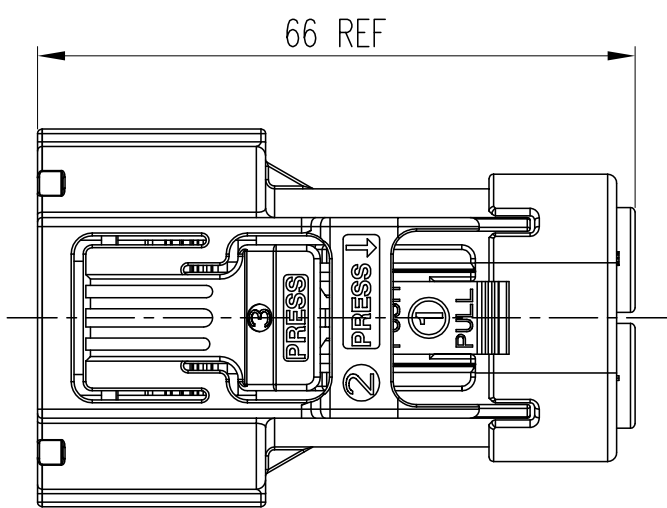
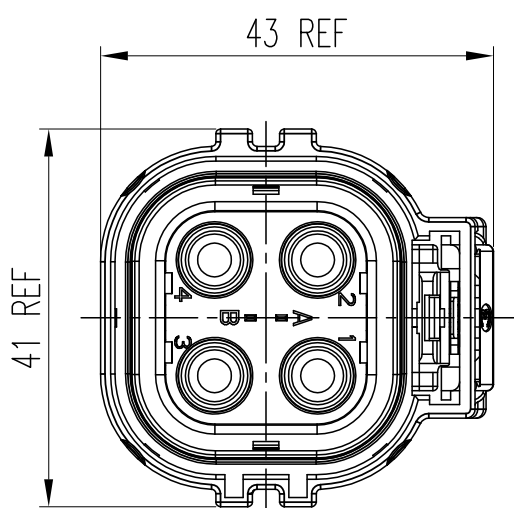
6 to 10mm ² (Stamped)	16mm ² (Stamped)	Availability in terms of wire range
P/N: C3100235021	P/N: P03BS00080	2.5mm² to 6mm² 4 PINS only
		10mm² to 16mm² 3 and 4 PINS both available

INSERT ORIENTATIONS



	Coding A	Coding B	Coding C	Coding D	Coding E
P/N	HVSL364 064 A XXXI (2.5 to 6mm ²)	HVSL364 064 B XXXI (2.5 to 6mm ²)	HVSL364 064 C XXXI (2.5 to 6mm ²)	HVSL364 064 D XXXI (2.5 to 6mm ²)	HVSL364 064 E XXXI (2.5 to 6mm ²)
	HVSL364 064 A XXXIS11 (10 to 16mm ²)	HVSL364 064 B XXXIS11 (10 to 16mm ²)	HVSL364 064 C XXXIS11 (10 to 16mm ²)	HVSL364 064 D XXXIS11 (10 to 16mm ²)	HVSL364 064 E XXXIS11 (10 to 16mm ²)

DUMMY PLUG



	HVSL364	06	4	A	S5
Product type:					
06: Straight plug					
Position:					
4: 4 position					
Coding / Alternate position:					
A: Coding A D: Coding D					
B: Coding B E: Coding E					
C: Coding C					
Dummy plug:					
S5					

HOW TO ORDER (HVSL 364)

HOW TO ORDER: PLUG with wire range $\leq 6\text{mm}^2$

	HVSL364	06	4	A	0	03	I
Product type:	06: Straight plug						
Position:	4: 4 position						
Coding / Alternate position:	A: Coding A B: Coding B C: Coding C D: Coding D E: Coding E						
Interlock:	0: Without interlock 1: With interlock						
Cable size:	03: 2.5mm^2 04: 4mm^2 06: 6mm^2						
Wire type:	I: Individually shielded wire						

HOW TO ORDER: RECEPTACLE with wire range $\leq 6\text{mm}^2$

	HVSL364	02	4	A			
Product type:	02: Box mounted receptacle						
Position:	4: 4 positions						
Coding / Alternate position:	A: Coding A B: Coding B C: Coding C D: Coding D E: Coding E						

	HVSL364	01	4	A	1	03	I
Product type:	01: In-line						
Position:	4: 4 position						
Coding / Alternate position:	A: Coding A B: Coding B C: Coding C						
Interlock:	1: With interlock						
Cable size:	03: 2.5mm^2 04: 4mm^2 06: 6mm^2						
Wire type:	I: Individually shielded wire						

HOW TO ORDER: PLUG with wire range $\geq 10\text{mm}^2$

	HVSL364	06	3	A	0	10	I	S11
Product type:	06: Straight plug							
Position:	3: 3 position 4: 4 position							
Coding / Alternate position:	A: Coding A B: Coding B C: Coding C D: Coding D E: Coding E							
Interlock:	0: Without interlock 1: With interlock							
Cable size:	10: 10mm^2 13: 13.3mm^2 (6AWG) 16: 16mm^2							
Wire type:	I: Individually shielded wire							
Specialisation:	S11: Specialisation							

HOW TO ORDER: RECEPTACLE with wire range $\geq 10\text{mm}^2$

	HVSL364	02	4	A	S11
Product type:	02: Box mounted receptacle				
Position:	4: 4 positions				
Coding / Alternate position:	A: Coding A B: Coding B C: Coding C D: Coding D E: Coding E				
Specialisation:	S11: Specialisation				

	HVSL364	01	4	A	1	10	I	S11
Product type:	01: In-line							
Position:	3: 3 position 4: 4 position							
Coding / Alternate position:	A: Coding A B: Coding B C: Coding C							
Interlock:	1: With interlock							
Cable size:	10: 10mm^2 13: 13.3mm^2 (6AWG)							
Wire type:	I: Individually shielded wire							
Specialization:	S11: Specialisation							

Amphenol PCD Shenzhen

Building C
Dagang Industrial Zone
Guangming District
Shenzhen 518132
China

Tel.: +86 755-8173-8000
Fax: +86 755-8173-8180
Email: inquiry@amphenolpcd.com.cn

www.amphenolpcd.com.cn

Notes:

Amphenol PCD Shenzhen has made every effort to ensure that the information contained in this catalog is accurate at the time of publication. Specifications or information stated in this publication are subject to change without notice.

Amphenol PCD Shenzhen reserves the right to clarify this catalog.