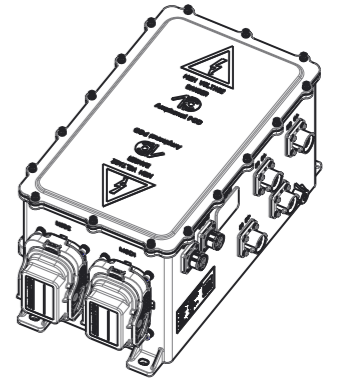


Amphenol PCD SZ
ORIGINAL
PDF Format
R&D

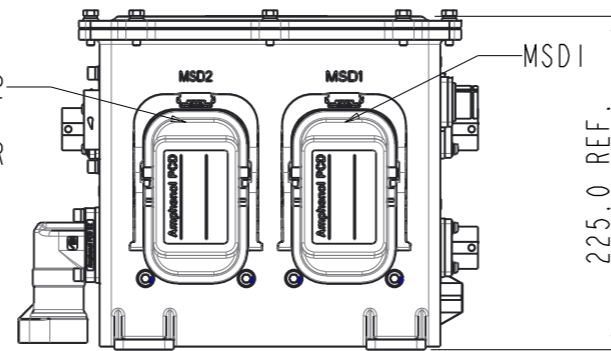
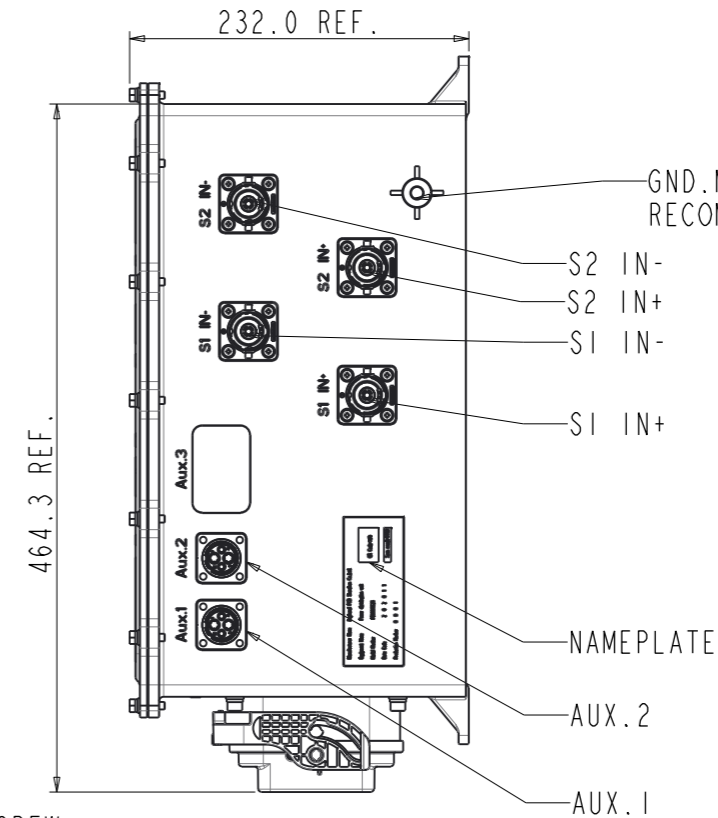
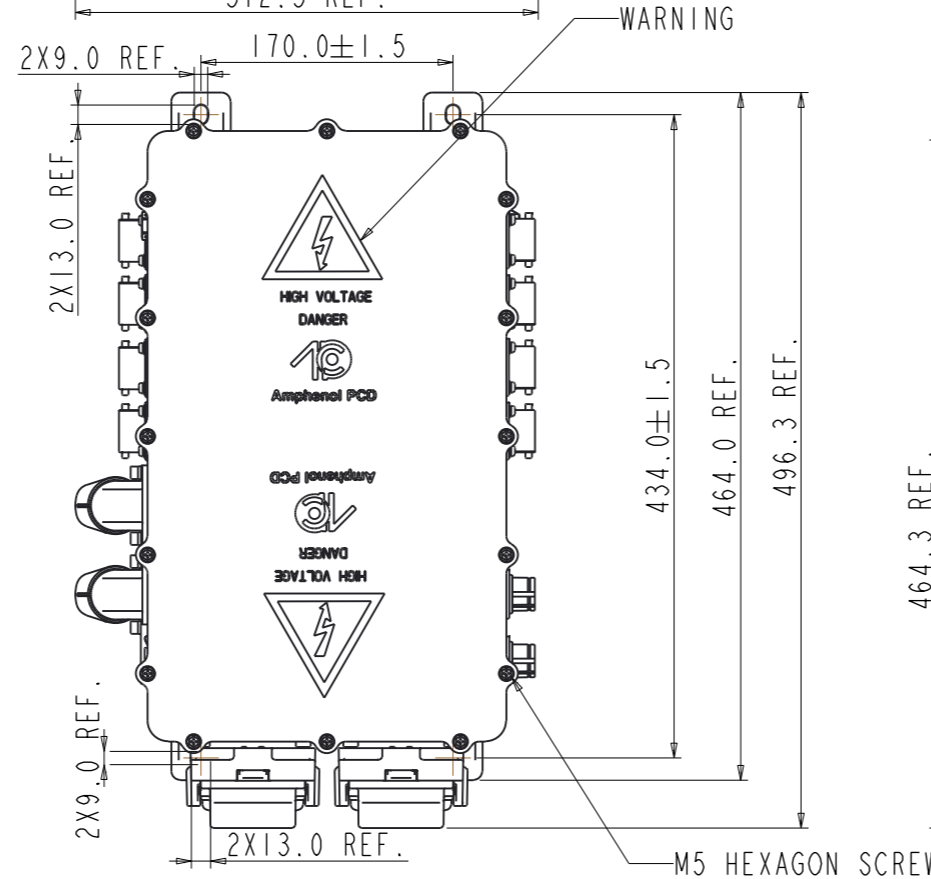
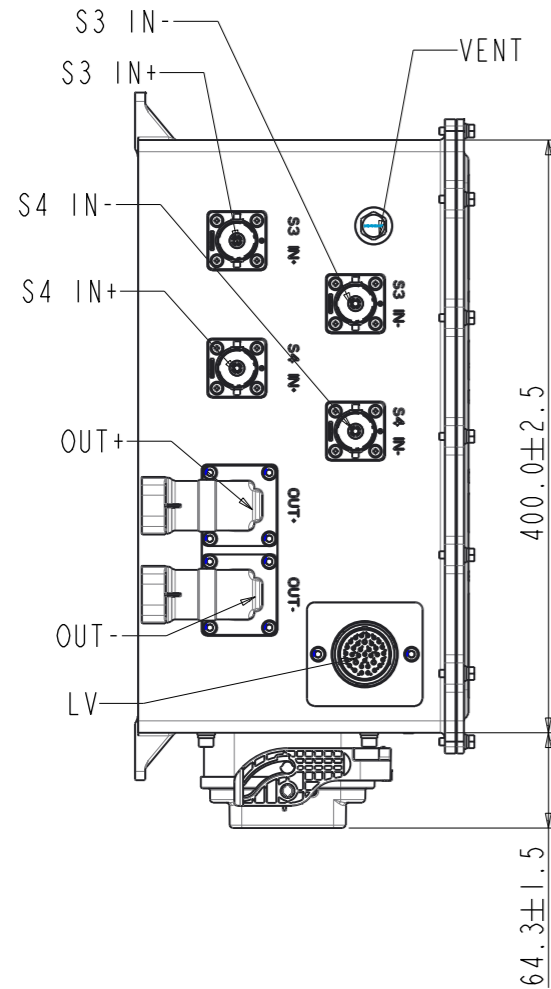
C-PDU000K30

REV	ECN	DESCRIPTION	DATE	MODIFIED
1		PRE-RELEASE	Oct-27-22	
2	R6703N	CHANGE SENSOR	Mar-03-23	
3	R7125N	Add CHD series views	Mar-30-23	



SCALE 1:10

GND. M8, ∇ 10MM
RECOMMENDED TORQUE IS 13.4N.M



NOTES: MSD1 AND MSD2 PLUG MATING OR UN-MATING TOGETHER

NOTES:

ELECTRICAL CHARACTERISTICS:

1. OPERATING VOLTAGE RANGE: 500 TO 1000V DC.
2. INSULATION RESISTANCE (1000 VDC, >100 M Ω)
3. OPERATING TEMPERATURES RANGE: -40°C TO +105°C
4. DIELECTRIC WITHSTAND VOLTAGE (2500V AC, LEAKAGE CURRENT <5mA)
5. IP PROTECTION CLASS: IP67 (DIE-CASTING BOX).
6. WITH LID OPEN SENSOR.
7. COLOR: SILVER.
8. WEIGHT: ABOUT 25KG.
9. ALL CONNECTORS WITH HVIL.
10. RoHS COMPLIANCE.

安费诺精密连接器(深圳)有限公司
Amphenol PCD Shenzhen
受控文件
2023年7月19日

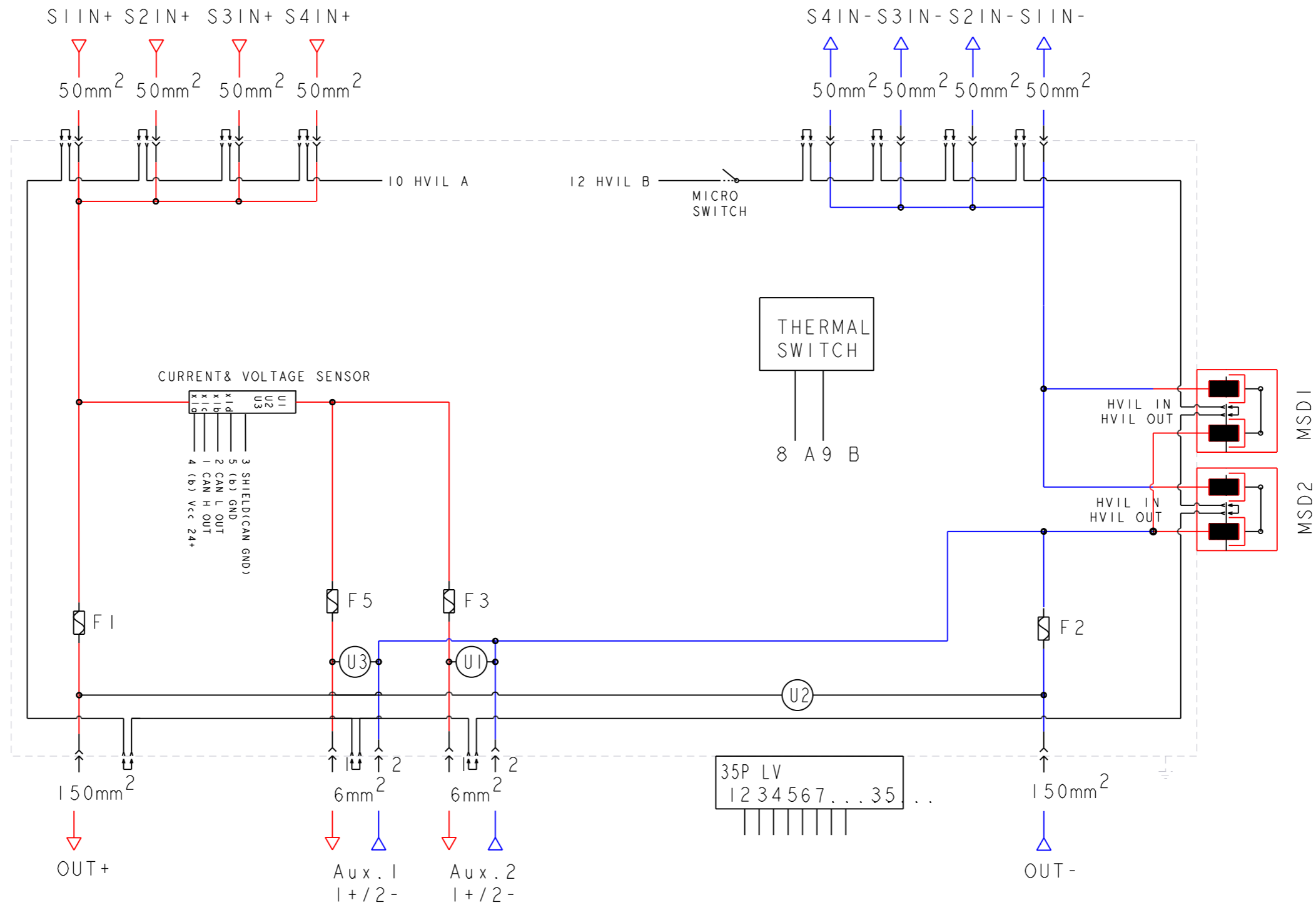
SCREW		
ITEM	SPEC	TORQUE
1	M3	0.7N.M
2	M4	1.2N.M
3	M5	2.5N.M
4	M6	5.3N.M
5	M8	13.4N.M

DIMENSIONS	TOLERANCES	PROJECTION	TITLE		
ANSI Y14.5M UNITS: MM Pro/E FILE	X ± 0.5 XX ± 0.05 ANGLES $\pm 2^\circ$		Amphenol PCD Shenzhen		
ORIGINAL	THIS DOCUMENT CONTAINS PROPRIETARY INFORMATION WHICH IS THE CONFIDENTIAL PROPERTY OF Amphenol PCD Shenzhen Co. Ltd Amphenol PCD Shenzhen Co. Ltd RESERVES THE RIGHT TO CLARIFY THIS DRAWING	ENGR	POWER DISTRIBUTION UNIT (ENVIRO400 EV)		
		CHKD	SIZE	DWG NO.	REV
		APPD	A3	C-PDU000K30	3
			SCALE: 1:5		SHEET 1 OF 4

C-PDU000K30

C-PDU000K30

SCHEMATIC DIAGRAM



C-PDU000K30

C-PDU000K30

SIZE A3	DWG NO. C-PDU000K30	REV 3
SCALE: 1:10		SHEET 2 OF 4

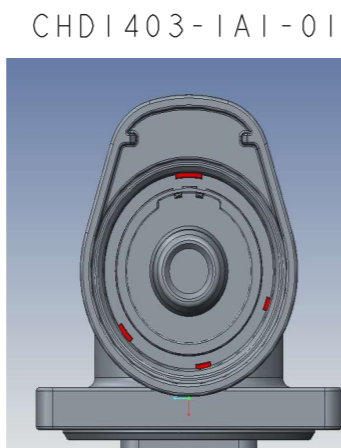
ELECTRONIC COMPONENTS LIST

MICRO SWITCH	D2HW-C271H-AQ	1	OMRON	MICRO SWITCH, LID OPEN SENSOR
THERMAL SWITCH	F08633	1	OTTER	THERMAL SWITCH, 120DEG. NORMALLY CLOSE +24VDC
SENSOR	IVTS-500-U3-1-CAN2-12/24	1	ISA	CURRENT&VOLTAGE SENSOR, CAN2.0 250BIT/S, 12/24VDC
F5	EVK25-100	1	BUSSMANN	AUX.1 FUSE. FOR RATED CURRENT 40A
F3	EVK25-100	1	BUSSMANN	AUX.2 FUSE. FOR RATED CURRENT 40A
F2	EVK60-600	1	BUSSMANN	OUT- FUSE, FOR RATED CURRENT 300A
F1	EVK60-600	1	BUSSMANN	OUT+ FUSE. FOR RATED CURRENT 300A
ITEM	P/N	Q'TY(PCS)	VENDOR	REMARK

CONNECTORS LIST

MSD	MSDXLF000RA		2	AMPHENOL PCD	MSD.SOCKET
	MSDXLM000		2	AMPHENOL PCD	MSD PLUG, WITHOUT FUSE. RATED CURRENT 350A
X1	AHDP02-24-35PR-SRA	AHDP06-24-35SR-WTA	1	AMPHENOL SINE	LV CONNECTOR, 35 PINS
J6	EX40202B	EX40208B1XX	1	AMPHENOL PCD	AUX.2, 1+ / 2-, 6 SQ MM CABLE. RATED CURRENT 40A
J5	EX40202A	EX40208A1XX	1	AMPHENOL PCD	AUX.1, 1+ / 2-, 6 SQ MM CABLE. RATED CURRENT 40A
J4	CHDI403-1B1-01	CHDI4061B101	1	AMPHENOL PCD	OUT-, 150SQ. MM CABLE. RATE CURRENT 500A.
J3	CHDI403-1A1-01	CHDI4061A101	1	AMPHENOL PCD	OUT+, 150SQ. MM CABLE. RATED CURRENT 500A
J2	PL00Y-301-10M8-2	PL28Y-301-50-2-5	4	AMPHENOL TPI	S1& S2& S3& S4 IN-, 50SQ.MM CABLE. REATE CURRENT 200A
J1	PL00X-301-10M8-2	PL28X-301-50-2-5	4	AMPHENOL TPI	S1& S2& S3& S4 IN+, 50SQ.MM CABLE. REATE CURRENT 200A
ITEM	RECEPTACLE P/N	PLUG P/N	Q'TY(PCS)	VENDOR	REMARK

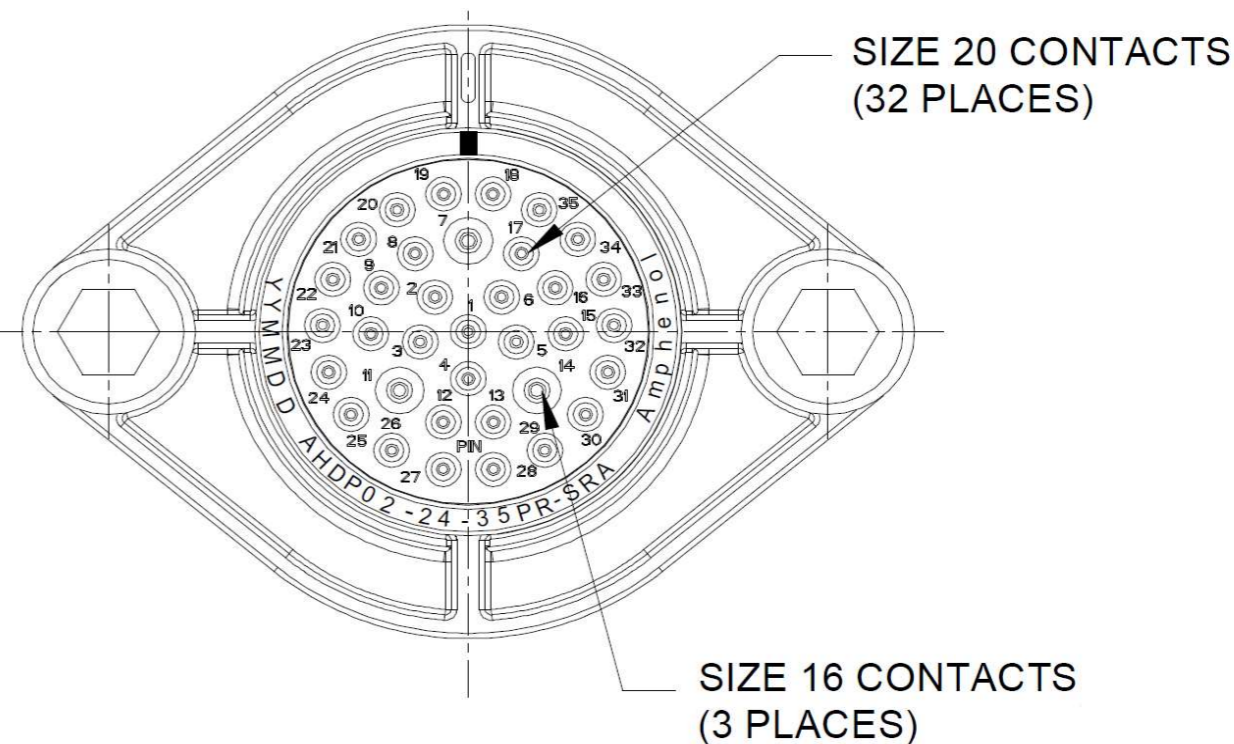
3



安费诺精密连接器(深圳)有限公司
Amphenol PCD Shenzhen
受控文件
2023年7月19日

SIZE	DWG NO.	REV
A3	C-PDU000K30	3
SCALE: 1:10		SHEET 3 OF 4

Pin #	Contact Size	IO DESCRIPTION
1	20 (0.35-1.5mm ²)	CAN HIGH
2	20 (0.35-1.5mm ²)	CAN LOW
3	20 (0.35-1.5mm ²)	CAN GND
4	20 (0.35-1.5mm ²)	+24V SUPPLY
5	20 (0.35-1.5mm ²)	GROUND
6	20 (0.35-1.5mm ²)	-
7	16 (0.5-2.0mm ²)	-
8	20 (0.35-1.5mm ²)	THERMAL SWITCH A
9	20 (0.35-1.5mm ²)	THERMAL SWITCH B
10	20 (0.35-1.5mm ²)	HVIL A
11	16 (0.5-2.0mm ²)	-
12	20 (0.35-1.5mm ²)	HVIL B
13	20 (0.35-1.5mm ²)	-
14	16 (0.5-2.0mm ²)	-
15	20 (0.35-1.5mm ²)	-
16	20 (0.35-1.5mm ²)	-
17	20 (0.35-1.5mm ²)	-
18	20 (0.35-1.5mm ²)	-
19	20 (0.35-1.5mm ²)	-
20	20 (0.35-1.5mm ²)	-
21	20 (0.35-1.5mm ²)	-
22	20 (0.35-1.5mm ²)	-
23	20 (0.35-1.5mm ²)	-
24	20 (0.35-1.5mm ²)	-
25	20 (0.35-1.5mm ²)	-
26	20 (0.35-1.5mm ²)	-
27	20 (0.35-1.5mm ²)	-
28	20 (0.35-1.5mm ²)	-
29	20 (0.35-1.5mm ²)	-
30	20 (0.35-1.5mm ²)	-
31	20 (0.35-1.5mm ²)	-
32	20 (0.35-1.5mm ²)	-
33	20 (0.35-1.5mm ²)	-
34	20 (0.35-1.5mm ²)	-
35	20 (0.35-1.5mm ²)	-



安费诺精密连接器(深圳)有限公司
Amphenol PCD Shenzhen
受控文件
2023年7月19日

Sensor
X1-Connection port
X2-N/A(optional)

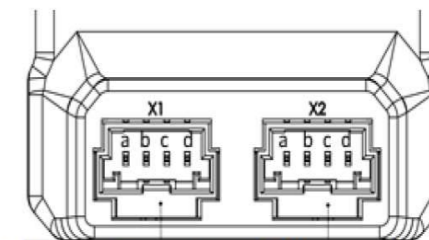


Figure 3: Pin configuration CANbus and power supply

Connector	Function	PIN	Description	mating plug
X1 and X2*	Power IN CANbus	a	Vcc	PIN 4
		b	CAN L	PIN 3
		c	CAN H	PIN 2
		d	GND	PIN 1

SIZE A3	DWG NO. C-PDU000K30	REV 3
SCALE: 1:10		SHEET 4 OF 4

C-PDU000K30

C-PDU000K30