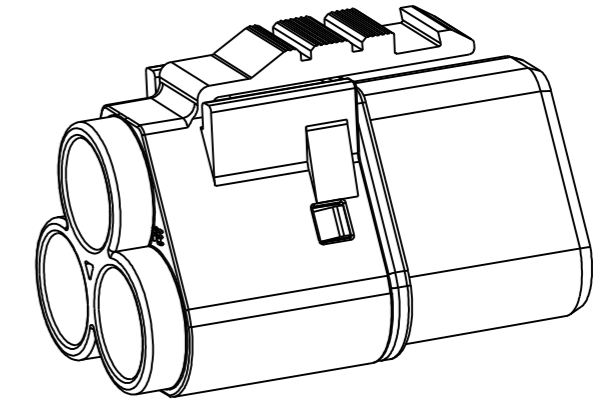
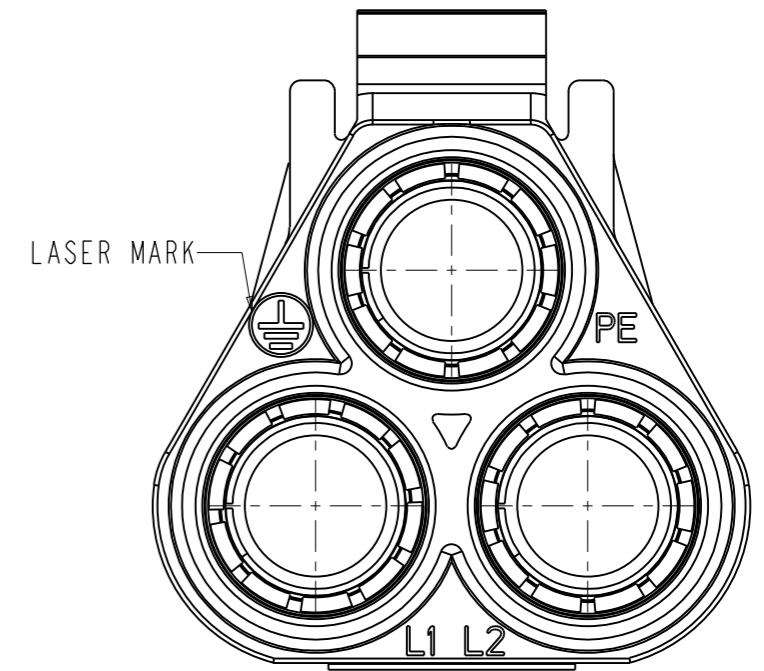
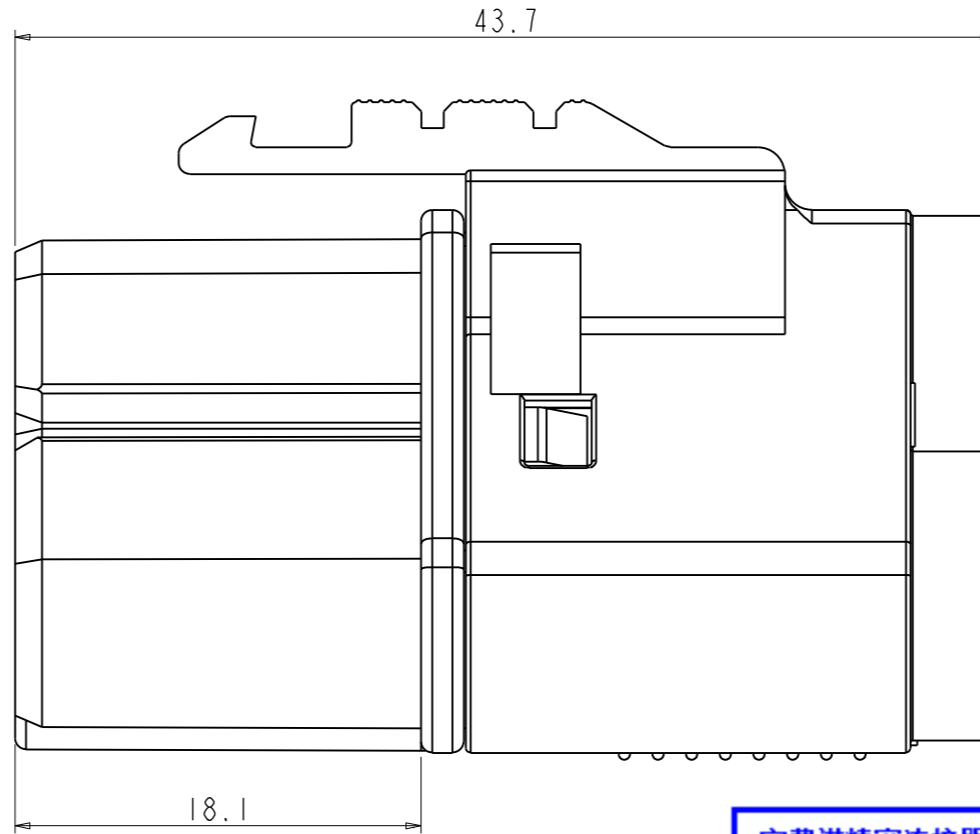
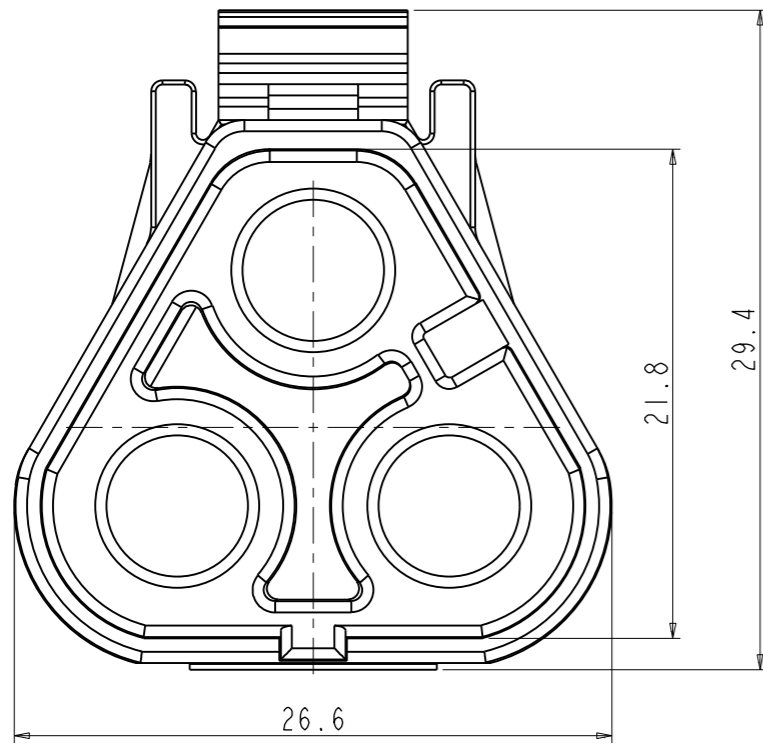


Amphenol PCDSZ
ORIGINAL
PDF Format
R&D

REV	ECN	DESCRIPTION	DATE	MODIFIED
V0-4		ADD KEY POSITION	Mar-14-23	
V0-5		UPDATE DESIGN	April-26-23	
V0-6		ADD PE MARK	May-19-23	
A	C6896	RELEASE	Jun-30-23	



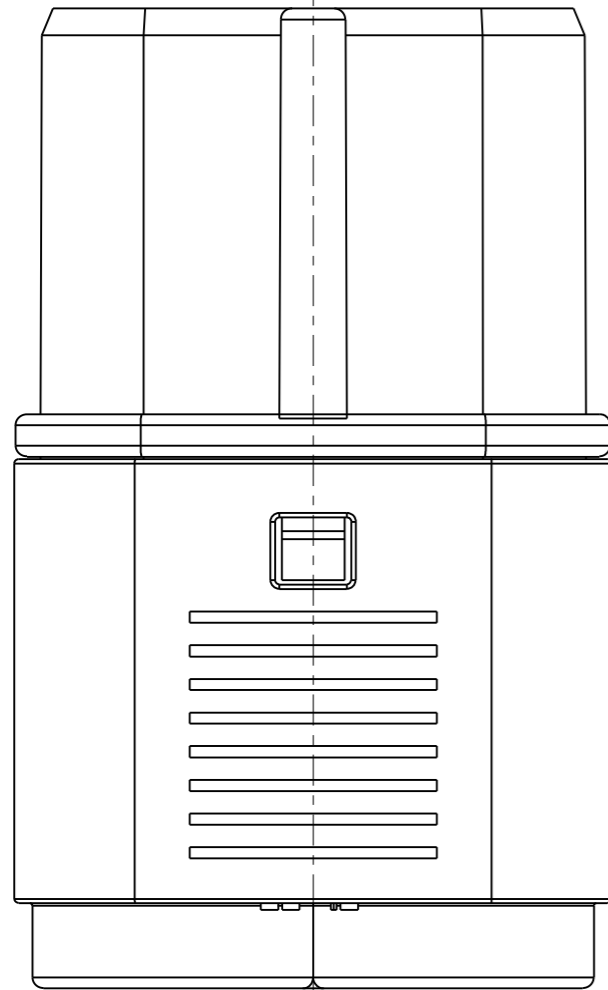
3D MODEL SHOWN

安费诺精密连接器(深圳)有限公司
Amphenol PCD Shenzhen
受控文件
2023年7月11日

NOTES

- MATERIALS:
HOUSING: PA UL94 V-0
CONTACT: COPPER (PLATING SLIVER)
- ELECTRICAL CHARACTERISTICS:
CURRENT RATING: SEE TABLE 1
VOLTAGE RATING: 300V
WITHSTAND VOLTAGE: 1500V/MIN
INSULATION RESISTANCE: 100MΩ
- OPERATING TEMPERATURE RANGE: -40°C TO +125°C
- WIRE RANGE: SEE TABLE 1
- MATING CYCLES: 200 TIMES MAX
- FEMALE CONTACT NOT INCLUDED IN FINISHED PRODUCT
- ROHS COMPLIANCE.

P/N	CONTACT	CURRENT	WIRE RANGE
SPCF03105S	P0IES00029	50A	8~10AWG
SPCF03106S	P0IES00032	80A	6~8AWG

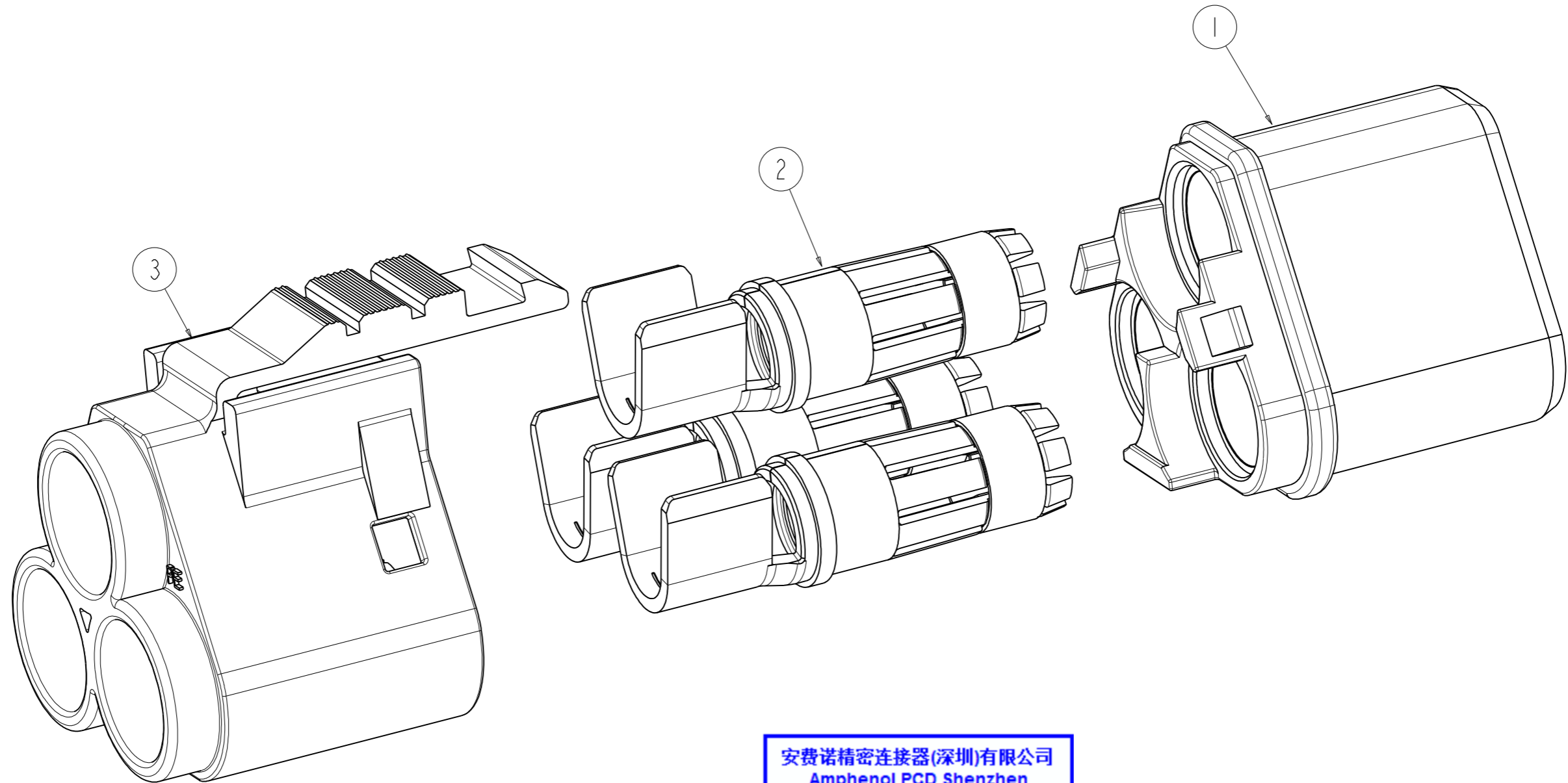


DIMENSIONS	TOLERANCES	PROJECTION	TITLE		
ANSI Y14.5M UNITS: MM Pro/E FILE	.X ±0.5 .XX ±0.05 ANGLES ±2°		SPC SERIES 3 POS FEMALE WITH WIRE CONNECTOR		
ORIGINAL	THIS DOCUMENT CONTAINS PROPRIETARY INFORMATION WHICH IS THE CONFIDENTIAL PROPERTY OF Amphenol PCD Shenzhen Co. Ltd Amphenol PCD Shenzhen Co. Ltd RESERVES THE RIGHT TO CLARIFY THIS DRAWING	ENGR	Aug-31-22	SIZE A3	DWG NO. SPCF03106S.C
		CHKD		SCALE: 3:1	REV A
		APPD			SHEET 1 OF 2

ITEM NO	DESCRIPTION	QTY
1	OUTLET MIDDLE HOUSING	1
2	FEMALE CONTACT	3
3	OUTLET END COVER	1

NOTES:

1. ITEM ② : REEL PACKING. 1000PCS FOR ONE REEL



安费诺精密连接器(深圳)有限公司
Amphenol PCD Shenzhen
受控文件
2023年7月11日

SPCF03106S.C

SPCF03106S.C

SIZE	DWG NO.	REV
A3	SPCF03106S.C	A
SCALE: 1:1		SHEET 2 OF 2