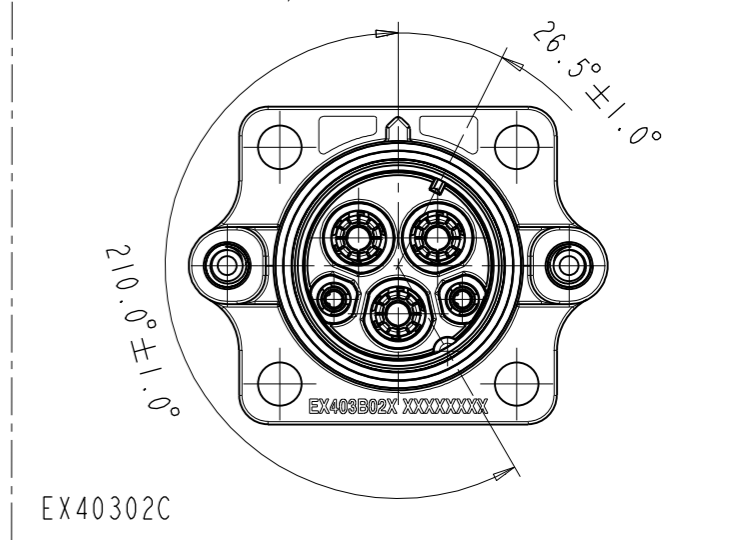
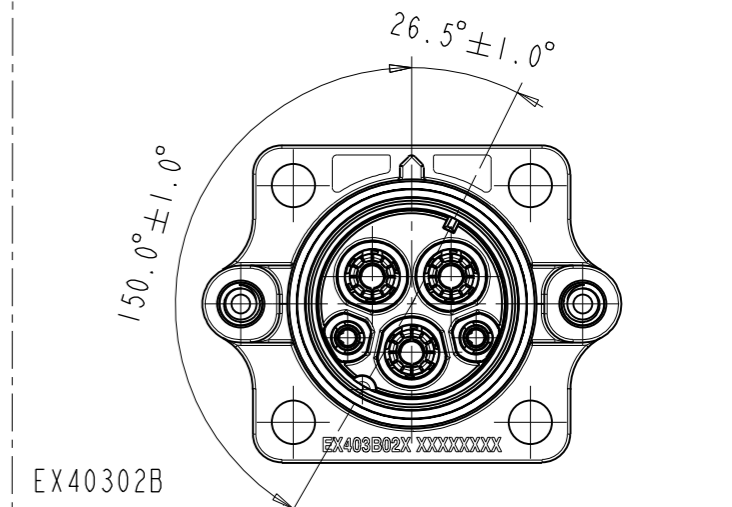
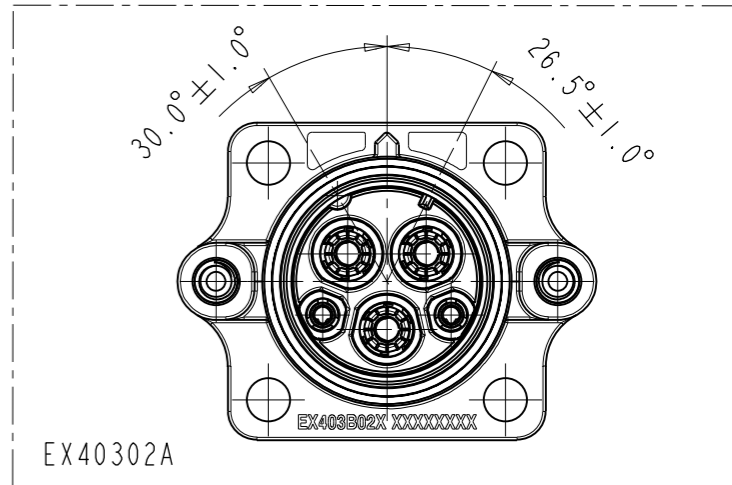
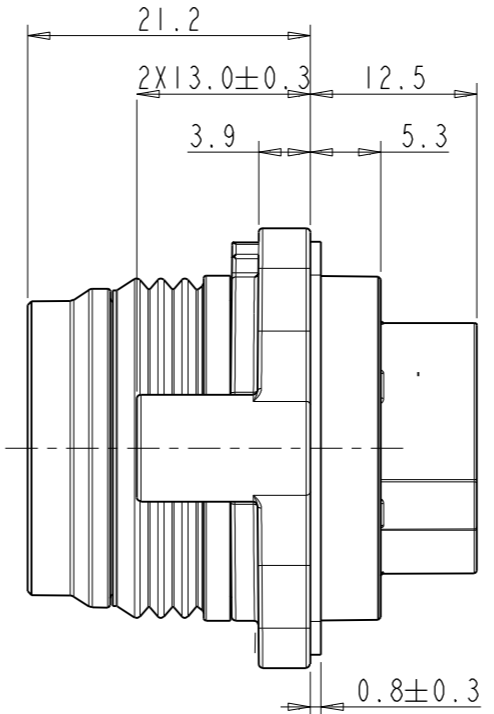
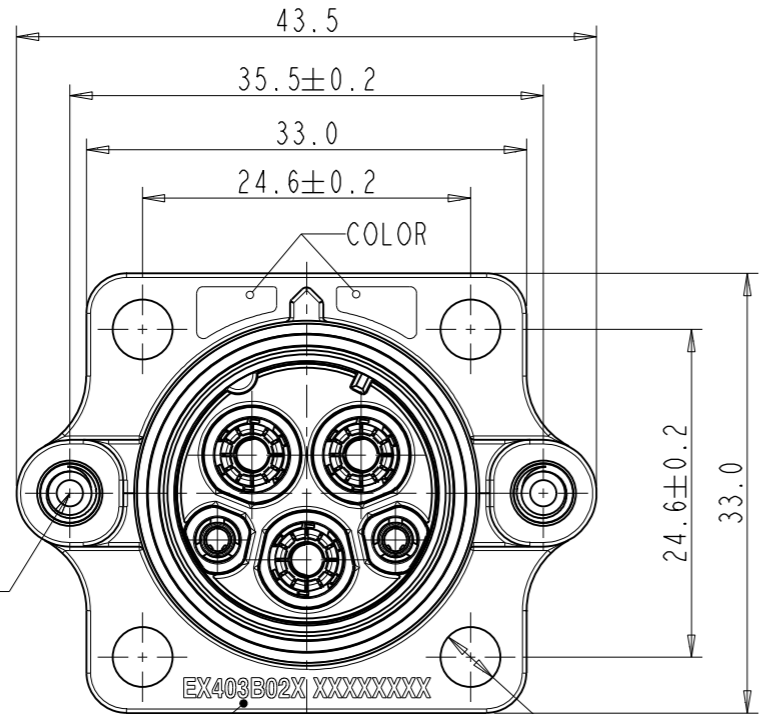


Amphenol PCDSZ
ORIGINAL
PDF Format
R&D

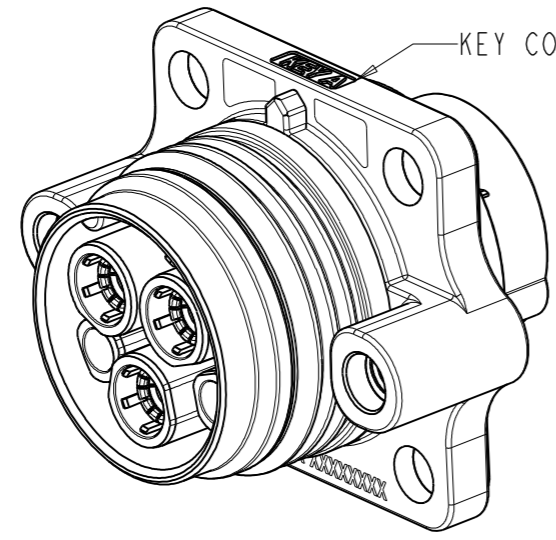
REV	ECN	DESCRIPTION	DATE	MODIFIED
1		PRE- RELEASE	Dec-12-22	
2	C7123N	CORRECT PART NUMBER ERRORS	Aug-24-23	



2XM4X0.7
LOCKING TORQUE: 2. IN.m

4XØ 4.5±0.3
LOCKING TORQUE: 2. IN.m

P/N & TRACEABILITY NUMBER



C-EX403B02X

C-EX403B02X

1. HOW TO ORDER: \triangle

EX403B 02 X
3+2 PIN

KEY & COLOR CODE:
A : KEY A & RED
B : KEY B & BLACK
C : KEY C & YELLOW

RECEPTACLE

DIMENSIONS	TOLERANCES	PROJECTION	TITLE	
ANSI Y14.5M UNITS: MM Pro/E FILE	.X ±0.5 .XX ±0.05 ANGLES ±2°		Amphenol PCD Shenzhen	
ORIGINAL	THIS DOCUMENT CONTAINS PROPRIETARY INFORMATION WHICH IS THE CONFIDENTIAL PROPERTY OF Amphenol PCD Shenzhen Co. Ltd Amphenol PCD Shenzhen Co. Ltd RESERVES THE RIGHT TO CLARIFY THIS DRAWING		ENGR	Dec-12-22
			CHKD	
			APPD	
			SIZE	DWG NO.
			A3	C-EX403B02X
			SCALE: 1:1	REV
			SHEET 1 OF 2	2

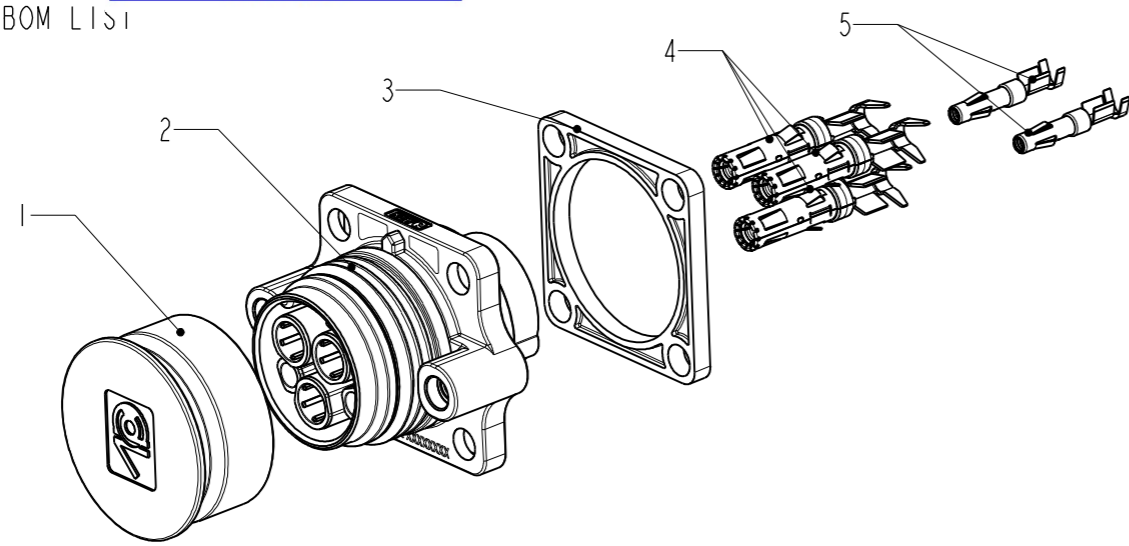
RECEPTACLE 3+2

C-EX403B02X

SCALE: 1:1

SHEET 1 OF 2

2. ASSEMBLY BOM LIST

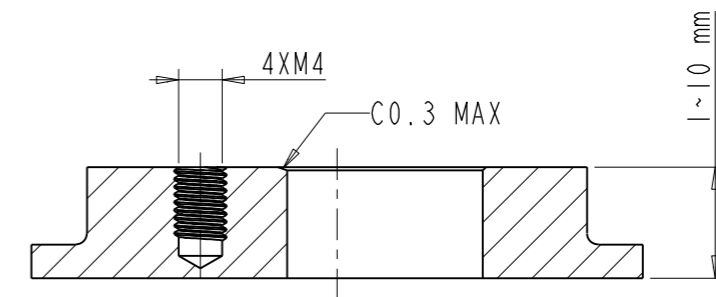
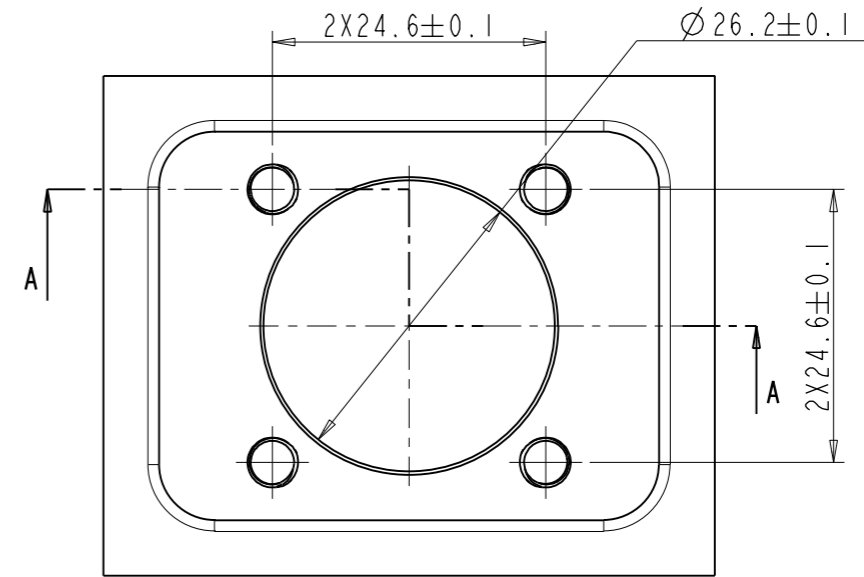


5	EX16F1	HVIL CONTACT, 0.5~0.75MM ² CABLE NEED TO BUY SEPARATELY	3
4	EX30F4	POWER CONTACT, 2.5&4MM ² CABLE NEED TO BUY SEPARATELY	2
3	P01BR00568	SEAL	1
2	P02B00030103	Shell, KEY C, YELLOW	1
	P02B00030102	Shell, KEY B, BLACK	
	P02B00030101	Shell, KEY A, RED	
1	P01BP00747	PROTECTIVE CAP	1
ITEM	P/N	DESCRIPTION	Q'TY

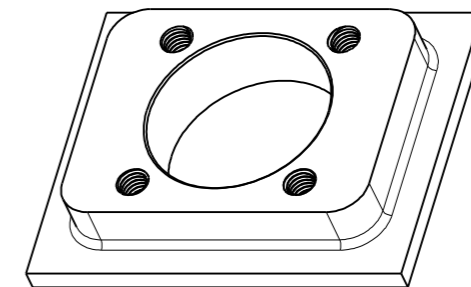
3. TECHNICAL DATA

TECHNICAL DATA		
CURRENT RATE (2.5MM ² SHIELD CABLE)	23A @ AMBIENT 70	+
CURRENT RATE (4MM ² SHIELD CABLE)	32A @ AMBIENT 70	+
RATING VOLTAGE (OVERVOLTAGE CATEGORY II POLLUTION DEGREE 2)	1000V DC	+
OPERATING TEMPERATURE	-40~125°C	
DIELECTRIC WITHSTANDING VOLTAGE	POWER CONTACT 3000V AC(RMS)	+
	HVIL CONTACT 660V AC(RMS)	
INSULATION RESISTANCE	200MΩ MIN. @25	+
DURABILITY	50 CYCLES	◎
SHIELDING	YES	
WATERPROOF (MATED CONDITION)	IP68 & IP6K9K	+
PROTECTION LEVEL (UNMATED)	IP2XB	+
AMBIENT TEMPERATURE	-40~70°C	
RoHS&REACH	YES	+

4. PANEL SPECIFICATION



SECTION A-A



SIZE A3	DWG NO. C-EX403B02X	REV 2
SCALE: 1:1		SHEET 2 OF 2

C-EX403B02X

C-EX403B02X