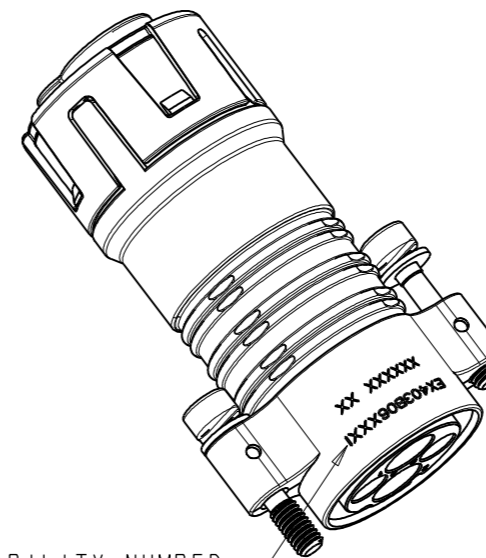
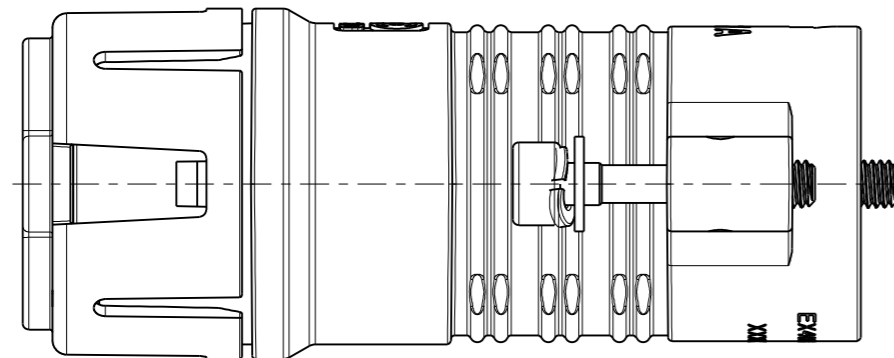
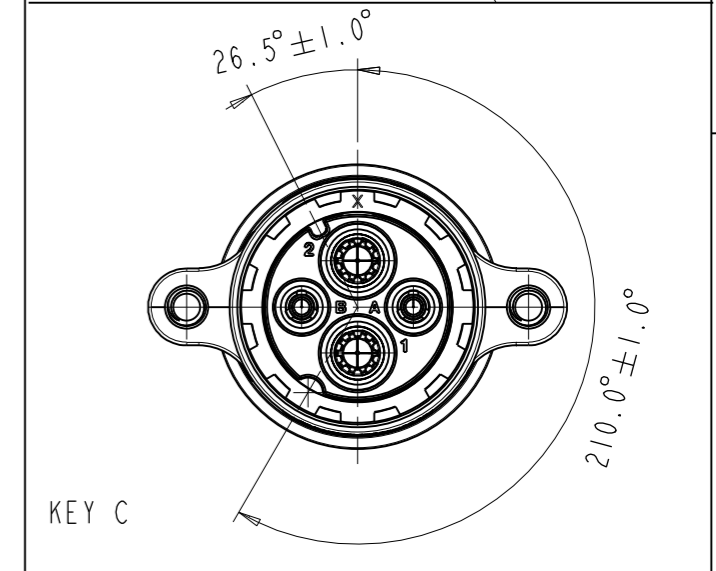
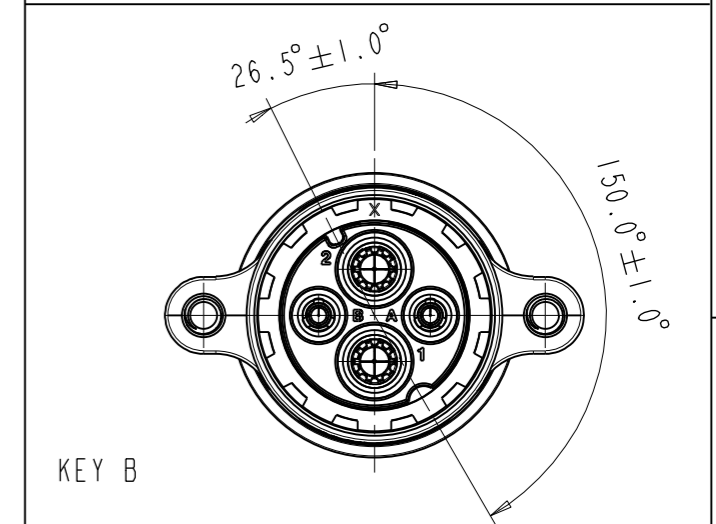
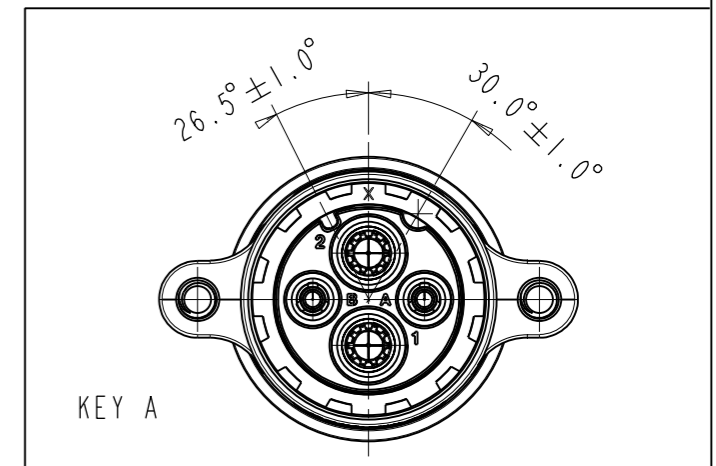
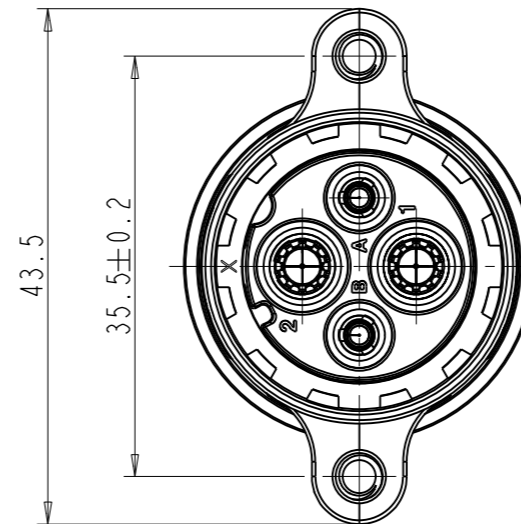
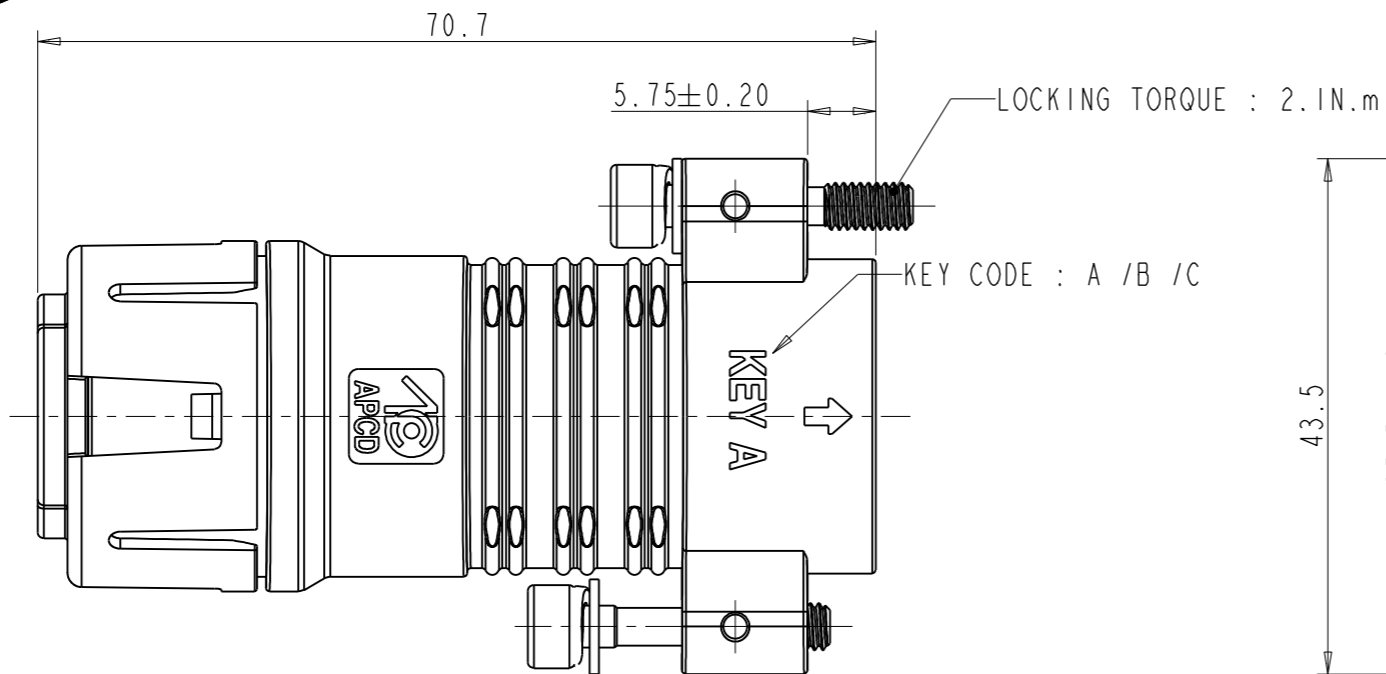


Amphenol PCDSZ
ORIGINAL
PDF Format
R&D

REV	ECN	DESCRIPTION	DATE	MODIFIED
1		PRE- RELEASE	Dec-12-22	
2	C7123N	CANCEL THE EXTERNAL HVIL	Aug-23-23	



C-EX402B06XXXI

C-EX402B06XXXI

DIMENSIONS ANSI Y14.5M UNITS: MM Pro/E FILE	TOLERANCES .X ±0.5 .XX ±0.05 ANGLES ±2°	PROJECTION 	Amphenol PCD Shenzhen			TITLE PLUG 2+2		
			ENGR Dec-12-22			SIZE A3	DWG NO. C-EX402B06XXXI	
ORIGINAL	THIS DOCUMENT CONTAINS PROPRIETARY INFORMATION WHICH IS THE CONFIDENTIAL PROPERTY OF Amphenol PCD Shenzhen Co. Ltd. Amphenol PCD Shenzhen Co. Ltd RESERVES THE RIGHT TO CLARIFY THIS DRAWING			CHKD	SCALE: 3:10		SHEET 1 OF 2	
			APPD					

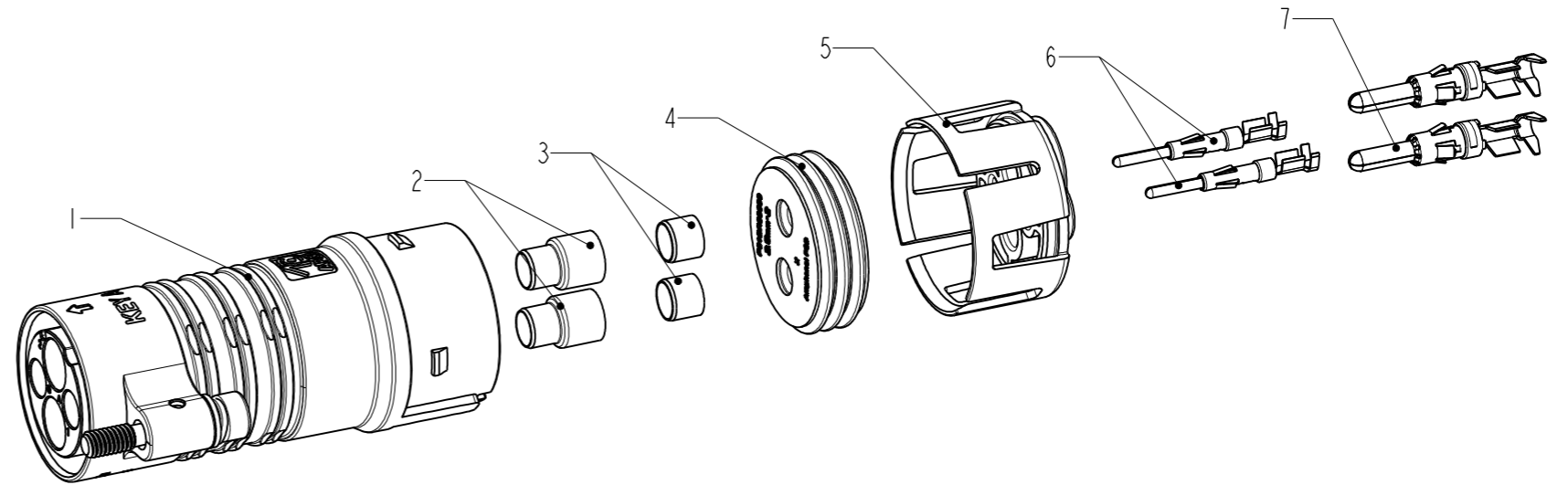
I. TECHNICAL DATA

TECHNICAL DATA		
CURRENT RATE (2.5MM^2 SHIELD CABLE)	23A @ AMBIENT 70	+
CURRENT RATE (4MM^2 SHIELD CABLE)	32A @ AMBIENT 70	+
RATING VOLTAGE (OVERVOLTAGE CATEGORY II POLLUTION DEGREE 2)	1000V DC	+
OPERATING TEMPERATURE	-40~125°C	
DIELECTRIC WITHSTANDING VOLTAGE	POWER CONTACT 3000V AC(RMS)	+
	HVIL CONTACT 660V AC(RMS)	
INSULATION RESISTANCE	200MΩ MIN.@25	+
DURABILITY	50 CYCLES	◎
SHIELDING	YES	
WATERPROOF (MATED CONDITION)	IP68 & IP6K9K	+
PROTECTION LEVEL(UNMATED)	IP2XB	+
AMBIENT TEMPERATURE	-40~70°C	
RoHS&REACH	YES	+

2.ASSEMBLY BOM LIST

ITEM	P/N	DESCRIPTION	QTY
7	EX30M4	POWER CONTACT, 2.5&4MM^2 CABLE NEED TO BUY SEPARATELY	2
6	SEE ABLE 2	HVIL CONTACT NEED TO BUY SEPARATELY	2
5	SEE ABLE 3	BACK CAP	1
4	SEE ABLE 3	SEAL	1
3	SEE ABLE 3	INNER FERRULE	2
2	SEE ABLE 3	OUTER FERRULE	2
1	SEE ABLE 1	MAIN BODY	1
ITEM	P/N	DESCRIPTION	QTY

3.HOW TO ORDER



端子料号说明:

EX402B 06 X X X I
2+2 PIN PLUG

I: INDIVIDUAL SHIELDING CABLE

CABLE SIZE OPTION:

TABLE 3					
CODE	DESCRIPTION	2# OUTER FERRULE	3# INNER FERRULE	4# SEAL	5# BACK CAP
2	2.5MM^2, MEET LV216 OD= 4.7+0/-0.5MM	C4310036501	C4200036651	P01BR00560	P01BP00759
4	4MM^2, MEET LV216, OD= 5.8+0/-0.5MM	C4310036502	C4200036652	C4270036625	C4220035622

INTERLOCK CODE: \triangle 2

TABLE 2		
CODE	DESCRIPTION	6# HVIL CONTACT
0	WITHOUT HVIL	N/A
1	WHTH SHORTED HVIL	N/A

KEY & COLOR CODE:

TABLE 1		
CODE	DESCRIPTION	I# MAIN BODY
A	KEY A, RED	P02B00030201
B	KEY B, BLACK	P02B00030202
C	KEY C, YELLOW	P02B00030203

SIZE A3	DWG NO. C-EX402B06XXXI	REV 2
SCALE: 3:10		SHEET 2 OF 2