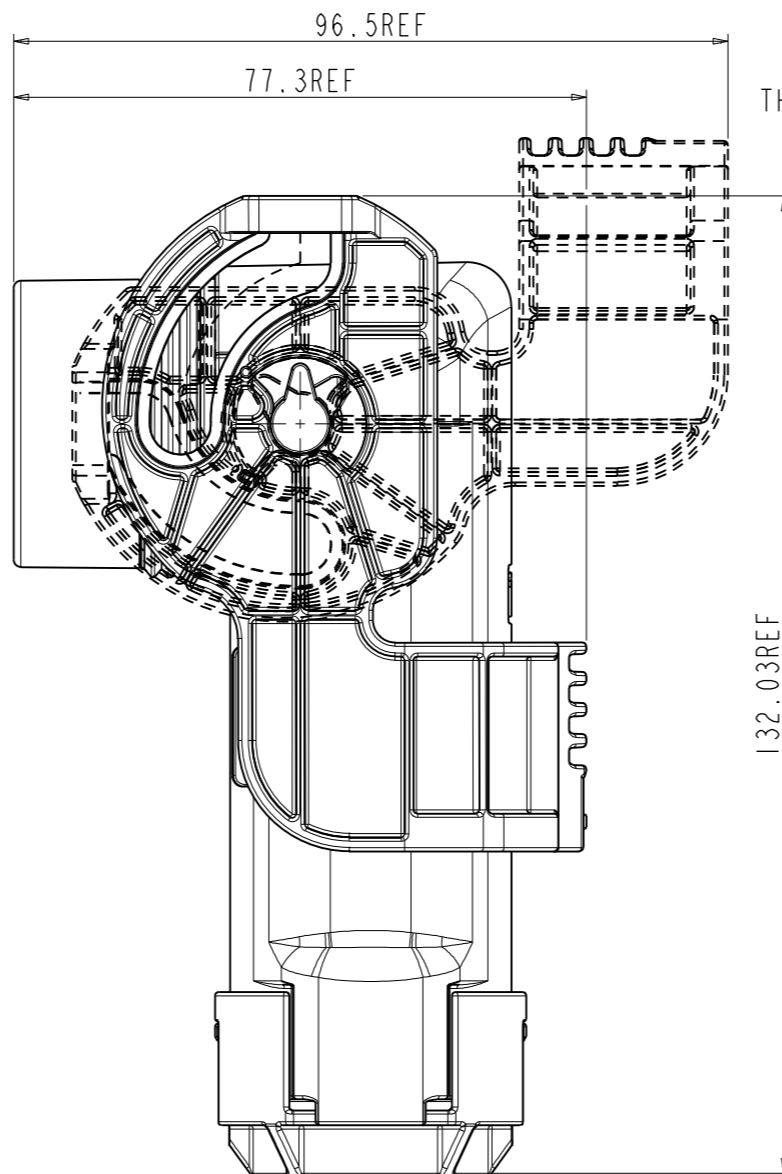
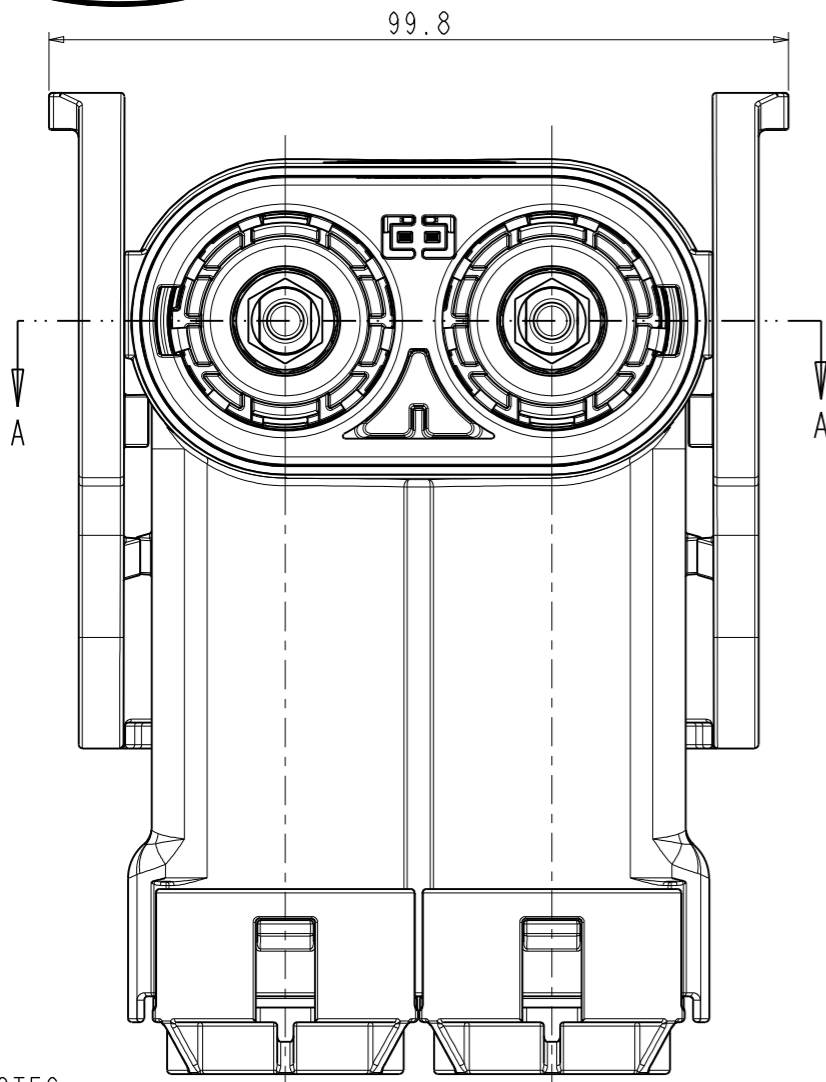
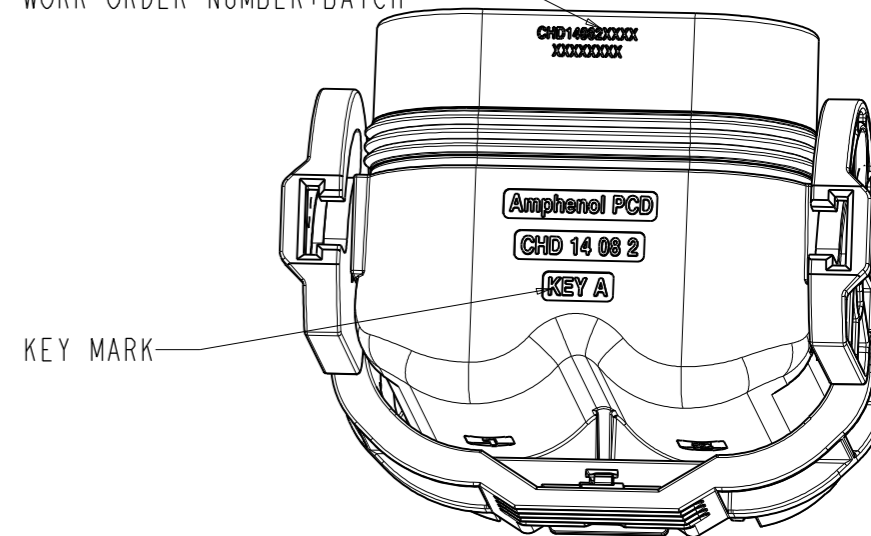


REV	ECN	DESCRIPTION	DATE	MODIFIED
I		PRE- RELEASE	Nov-10-2023	

Amphenol PCDSZ  
ORIGINAL  
PDF Format  
R&D



THE FIRST ROW IS THE PRODUCT PART NUMBER(PRINT THE FULL CODE)  
THE SECOND ROW OF WORK ORDER NUMBER+BATCH



TECHNICAL DATA		
CURRENT RATE (150MM <sup>2</sup> SHIELD CABLE)	500A @ AMBIENT 70°C	+
CURRENT RATE (120MM <sup>2</sup> SHIELD CABLE)	430A @ AMBIENT 70°C	+
CURRENT RATE (95MM <sup>2</sup> SHIELD CABLE)	350A @ AMBIENT 70°C	+
CURRENT RATE (70MM <sup>2</sup> SHIELD CABLE)	300A @ AMBIENT 70°C	+
RATING VOLTAGE (OVERVOLTAGE CATEGORY II POLLUTION DEGREE 2)	1500V DC	+
OPERATING TEMPERATURE	-40~125°C	
DIELECTRIC WITHSTANDING VOLTAGE	POWER PIN:4000V AC	+
	SIGNAL PIN:660V AC	
INSULATION RESISTANCE	200M $\Omega$ MIN.@25°C	+
DURABILITY	50 CYCLES	◎
SHIELDING	YES	
WATERPROF (MATED CONDITION)	IP67, IP6K9K	+
PROTECTION LEVEL (UNMATED)	IP2XB	+
AMBIENT TEMPERATURE	-40~70°C	
RoHS&REACH	YES	+

NOTES:

1. MATERIAL & FINISH:

BODY: ALUMINUM ALLOY, NEUTRAL SALT SPRAY MEETS 500H.  
POWER CONTACT: COPPER ALLOY SILVER PLATED  
HVIL CONTACTS: COPPER ALLOY SILVER PLATED  
SEAL RING: SR

2. PART NUMBERING SCHEME:

CHD 14 08 2 X X XX

A: CODING A  
B: CODING B  
C: CODING C

0: WITHOUT HVIL  
1: WITH HVIL

01: CROSS-SECTION 150mm<sup>2</sup>  
WIRE OD=24.9±0.5mm  
02: CROSS-SECTION 120mm<sup>2</sup>  
WIRE OD=22.6±0.4mm  
03: CROSS-SECTION 95mm<sup>2</sup>  
WIRE OD=20.5±0.4mm  
04: CROSS-SECTION 70mm<sup>2</sup>  
WIRE OD=17.8±0.4mm

+: CRITICAL CHARACTERISTICS / 关键特性

◎: IMPORTANT CHARACTERISTICS / 重要性

DIMENSIONS	TOLERANCES	PROJECTION	TITLE		
ANSI Y14.5M UNITS: MM Pro/E FILE	.X ±0.5 .XX ±0.05 ANGLES ±2°		Amphenol PCD Shenzhen		
ORIGINAL	THIS DOCUMENT CONTAINS PROPRIETARY INFORMATION WHICH IS THE CONFIDENTIAL PROPERTY OF Amphenol PCD Shenzhen Co. Ltd Amphenol PCD Shenzhen Co. Ltd RESERVES THE RIGHT TO CLARIFY THIS DRAWING	ENGR	Nov-10-2023		CHD14 08 2 X X XX R/A PLUG ASSEMBLY
		CHKD	SIZE	DWG NO.	REV
		APPD	A3	C-CHD14082XXXX	1
			SCALE: 1:2		SHEET 1 OF 2

C-CHD14082XXXX

C-CHD14082XXXX

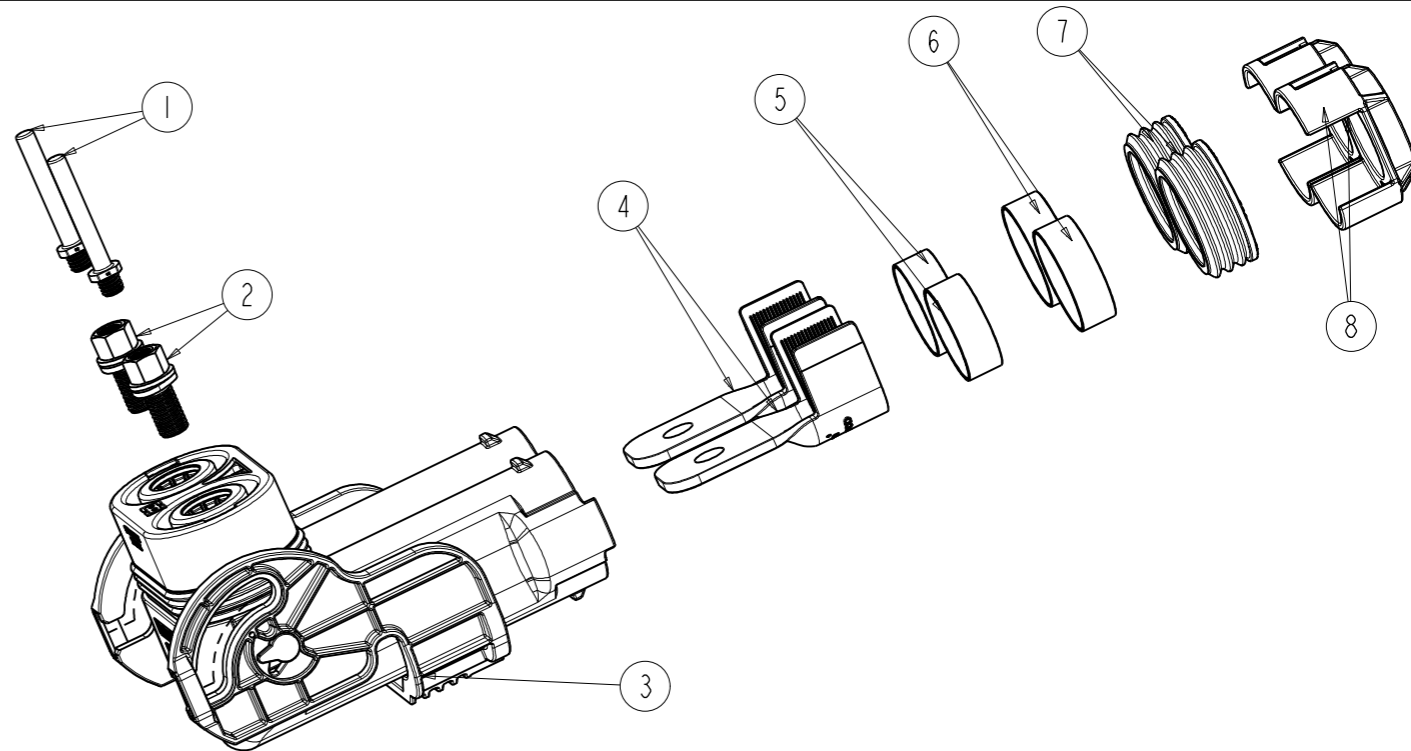
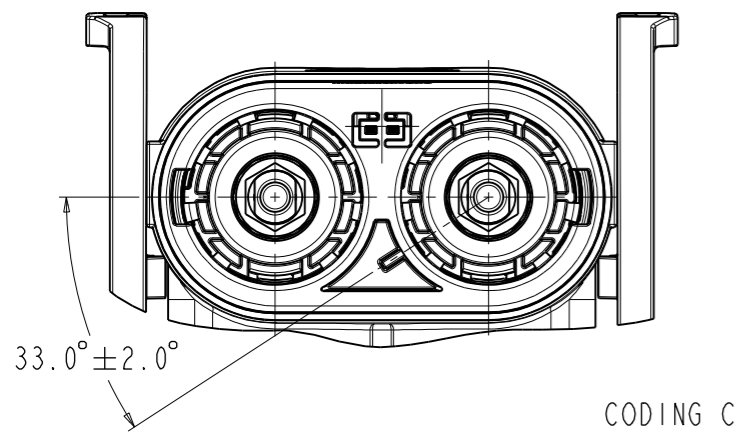
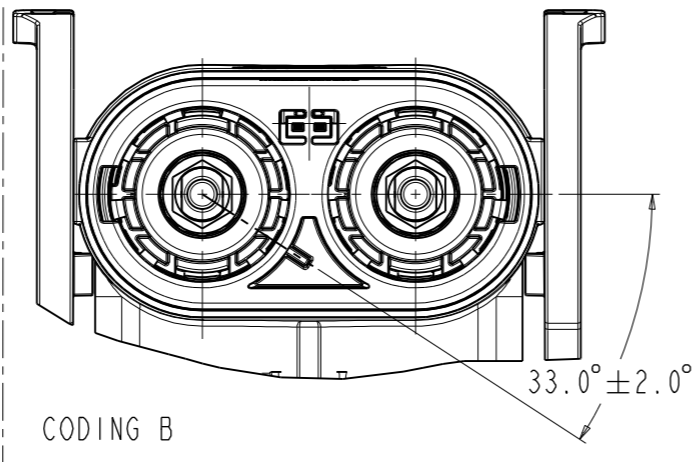
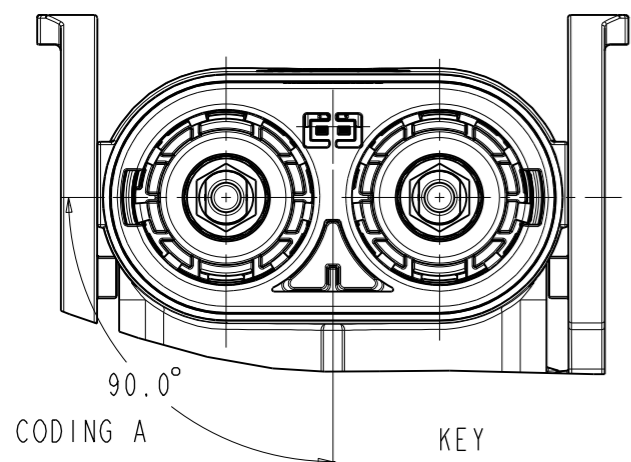


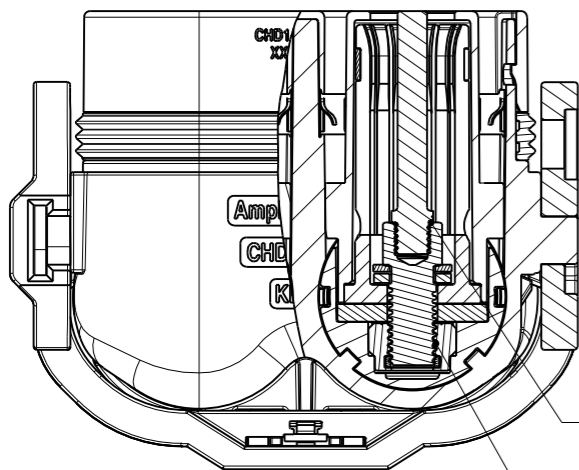
TABLE 1:

MAIN BODY P/N	KEY X	DESCRIPTION
P02B00051701	KEY A	WITH HVIL
P02B00051702	KEY B	WITH HVIL
P02B00051703	KEY C	WITH HVIL
P02B00051801	KEY A	WITHOUT HVIL
P02B00051802	KEY B	WITHOUT HVIL
P02B00051803	KEY C	WITHOUT HVIL

TABLE 2:

POWER PIN P/N	CABLE SPECIFICATIONS
P01BS0037901	150mm <sup>2</sup>
P01BS0037902	120mm <sup>2</sup>
P01BS0037903	95mm <sup>2</sup>
P01BS0037904	70mm <sup>2</sup>

ASSEMBLY P/N	ITEM	COMPONENT P/N	CABLE SIZE	DESCRIPTION	Q'TY
CHD14082 X X XX	8	P01BP0058604	70mm <sup>2</sup>	END CAP	2
		P01BP0058603	95mm <sup>2</sup>	END CAP	2
		P01BP0058602	120mm <sup>2</sup>	END CAP	2
		P01BP0058601	150mm <sup>2</sup>	END CAP	2
	7	P01BR00591	70mm <sup>2</sup>	CABLE SEALING	2
		P01BR00343	95mm <sup>2</sup>	CABLE SEALING	2
		P01BR00344	120mm <sup>2</sup>	CABLE SEALING	2
		P01BR00345	150mm <sup>2</sup>	CABLE SEALING	2
	6	P01BM01458	70mm <sup>2</sup>	OUTER SHIELD RING	2
		P01BM00997	95mm <sup>2</sup>	OUTER SHIELD RING	2
		P01BM00995	120mm <sup>2</sup>	OUTER SHIELD RING	2
		P01BM00984	150mm <sup>2</sup>	OUTER SHIELD RING	2
5	P01BM01457	70mm <sup>2</sup>	INNER SHIELD RING	2	
	P01BM00998	95mm <sup>2</sup>	INNER SHIELD RING	2	
	P01BM00996	120mm <sup>2</sup>	INNER SHIELD RING	2	
	4	TABLE 2	N/A	POWER PIN ASSEMBLY	2
	3	TABLE 1	N/A	MAIN BODY & WITH HVIL	1
	2	P01BN01614	N/A	M8 SCREW	2
	1	P01BP00940	N/A	INSULATING POST	2



TORQUE FOR FINGER PROTECTION POST: 0.2N.m ± 10%  
USE TIGHTEN GLUE

TORQUE FOR BUSBAR MOUNTING: 13.4N.m ± 10%

SECTION A-A  
SCALE 4:5

C-CHD14082XXXX

C-CHD14082XXXX

安费诺精密连接器(深圳)有限公司  
Amphenol PCD Shenzhen

受控文件

2023年11月14日

SIZE <b>A3</b>	DWG NO. <b>C-CHD14082XXXX</b>	REV <b>1</b>
SCALE: 1:2		SHEET 2 OF 2