

REV	ECN	DESCRIPTION	DATE	MODIFIED
1		PRE- RELEASE	2024.04.29	

Amphenol PCD SZ
ORIGINAL
PDF Format
R&D

WITH FUSED 带熔断器印字

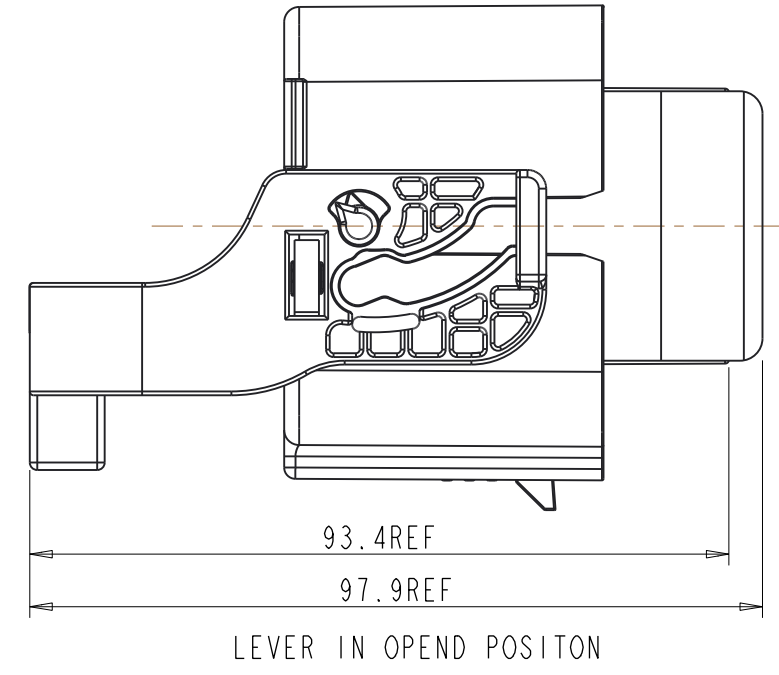
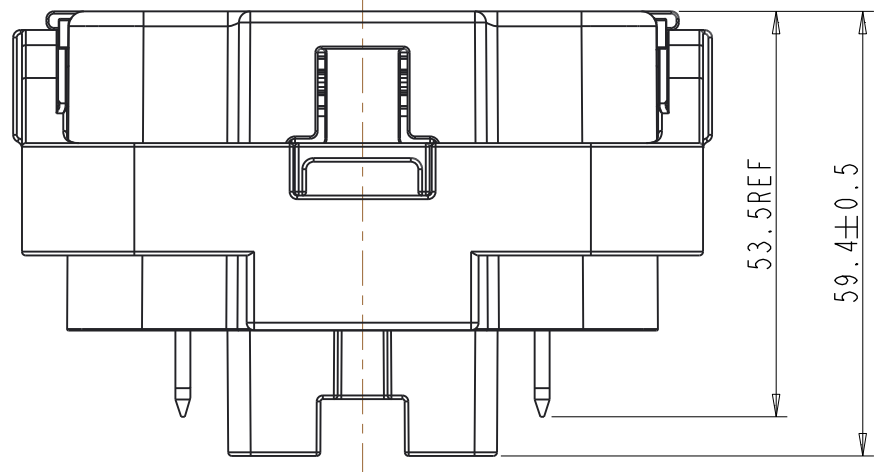
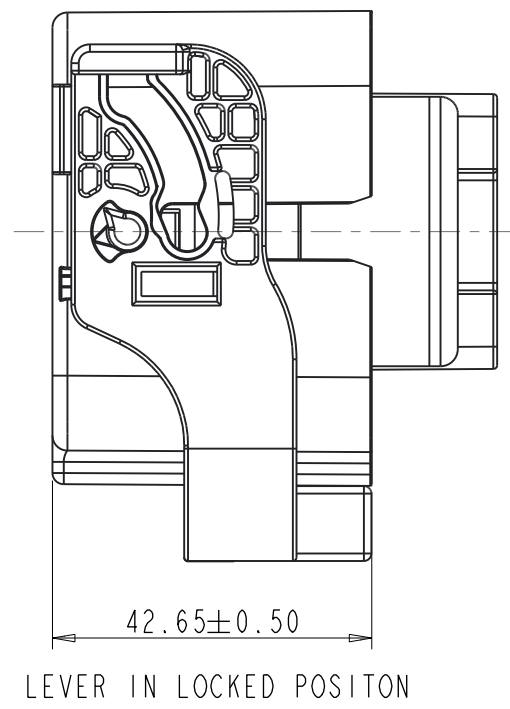
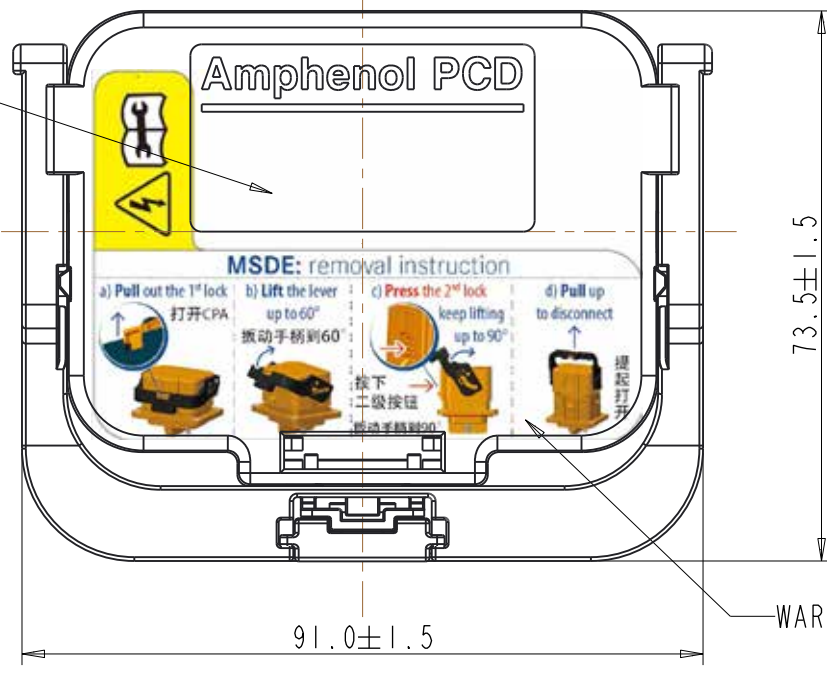
TYPE: MSDEXXXX(FUSED)
FUSED VOLTAGE AND CURRENT:
DC 500V XXXA
T/N: XXXXXXXX YY.WW

生产批次号 表示年周: 如24.16

NO WITH FUSED 不带熔断器印字

TYPE: MSDEXXXX(UNFUSED)
RATED VOLTAGE AND CURRENT:
DC 500V 350A
T/N: XXXXXXXX YY.WW

生产批次号 表示年周: 如24.16



备注 此款带保险丝的维修开关只适用于储能系统 不适用于新能源车上使用
NOTES: This style maintenance switch with fused is only suitable for energy storage systems and is not suitable for use on new energy vehicles.

ITEM	DESCRIPTION	ORDER P/N	SPEC	RATED VOLTAGE
1	PLUG	MSDE5001	500A (FUSED)	500V DC
2	PLUG	MSDE5002	500A (FUSED)	500V DC
3	PLUG	MSDE6302	630A (FUSED)	500V DC
4	PLUG	MSDE0000	350A (UNFUSED)	500V DC

PART NUMBERING SCHEME:

MSDEXXXX

- 0-SHUNT(UNFUSED)
- 1-FUSED FROM DIFFERENT MANUFACTURERS
- 2-FUSED FROM DIFFERENT MANUFACTURERS
- 500-FUSED 500A
- 630-FUSED 500A
- 000-SHUNT(UNFUSED)

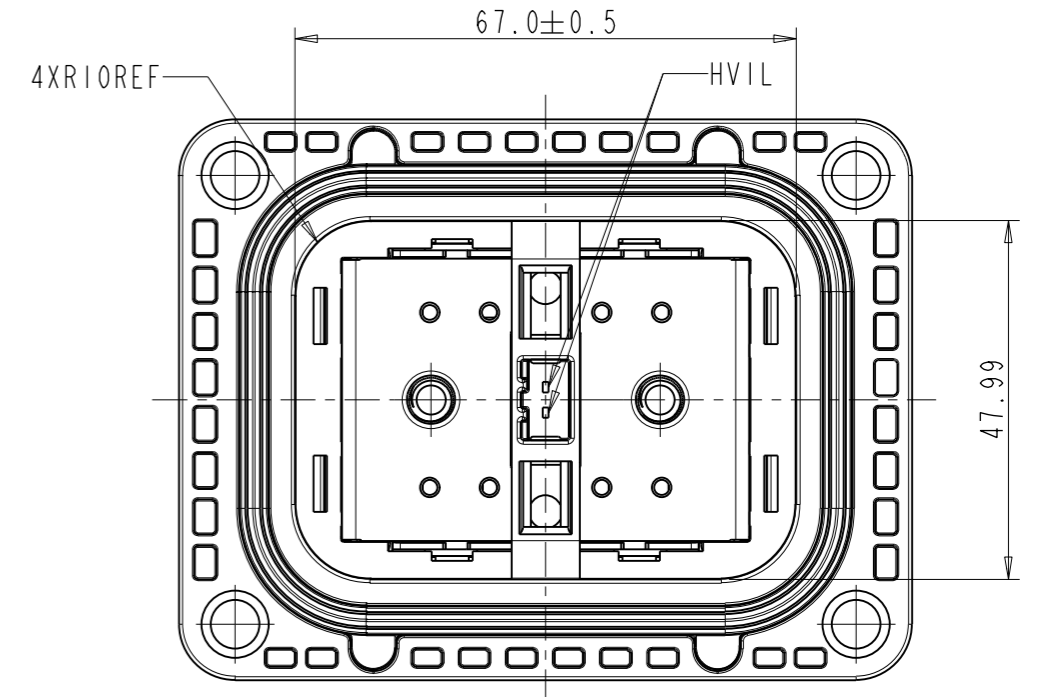
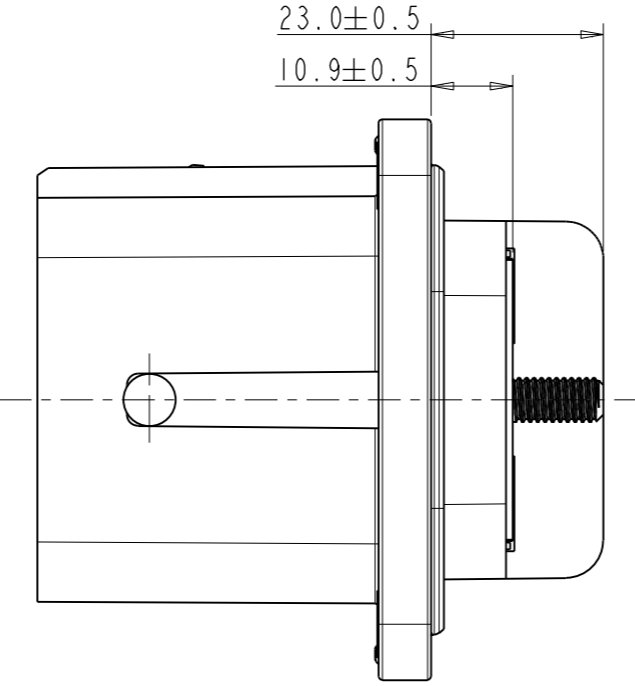
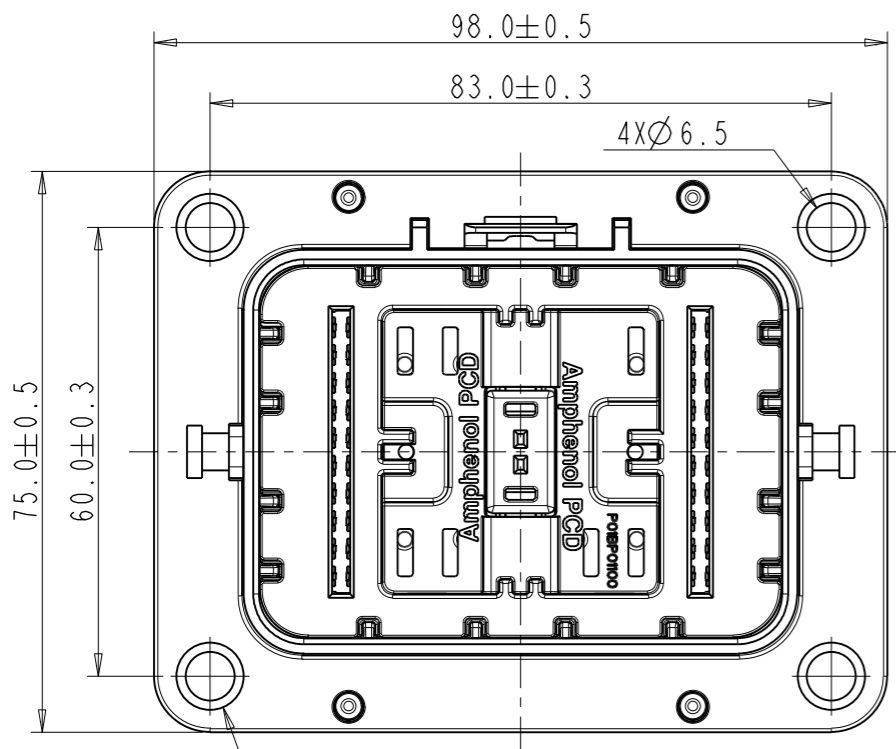
1	OPERATING TEMPERATURE	-40°C~+125°C	
2	AMBIENT TEMPERATURE	-40°C~+70°C	
3	DIELECTRIC WITHSTANDING VOLTAGE	3000V AC	+
4	INSULATION RESISTANCE	100MΩ .MIN.	+
5	DURABILITY	50 CYCLES	◎
6	WATERPROOF(MATED CONDITION)	IP67, IP6K9K	+

DIMENSIONS	TOLERANCES	PROJECTION	TITLE		
ANSI Y14.5M	.X ±0.5		Amphenol PCD Shenzhen		
UNITS: MM	.XX ±0.05		ENGR 2024.04.29		
Pro/E FILE	ANGLES ±2°		CHKD	SIZE A3	DWG NO. C-MSDEXXXX
ORIGINAL	THIS DOCUMENT CONTAINS PROPRIETARY INFORMATION WHICH IS THE CONFIDENTIAL PROPERTY OF Amphenol PCD Shenzhen Co. Ltd Amphenol PCD Shenzhen Co. Ltd RESERVES THE RIGHT TO CLARIFY THIS DRAWING		APPD	SCALE: 1:1	REV 1
			SHEET 1 OF 2		

C-MSDEXXXX

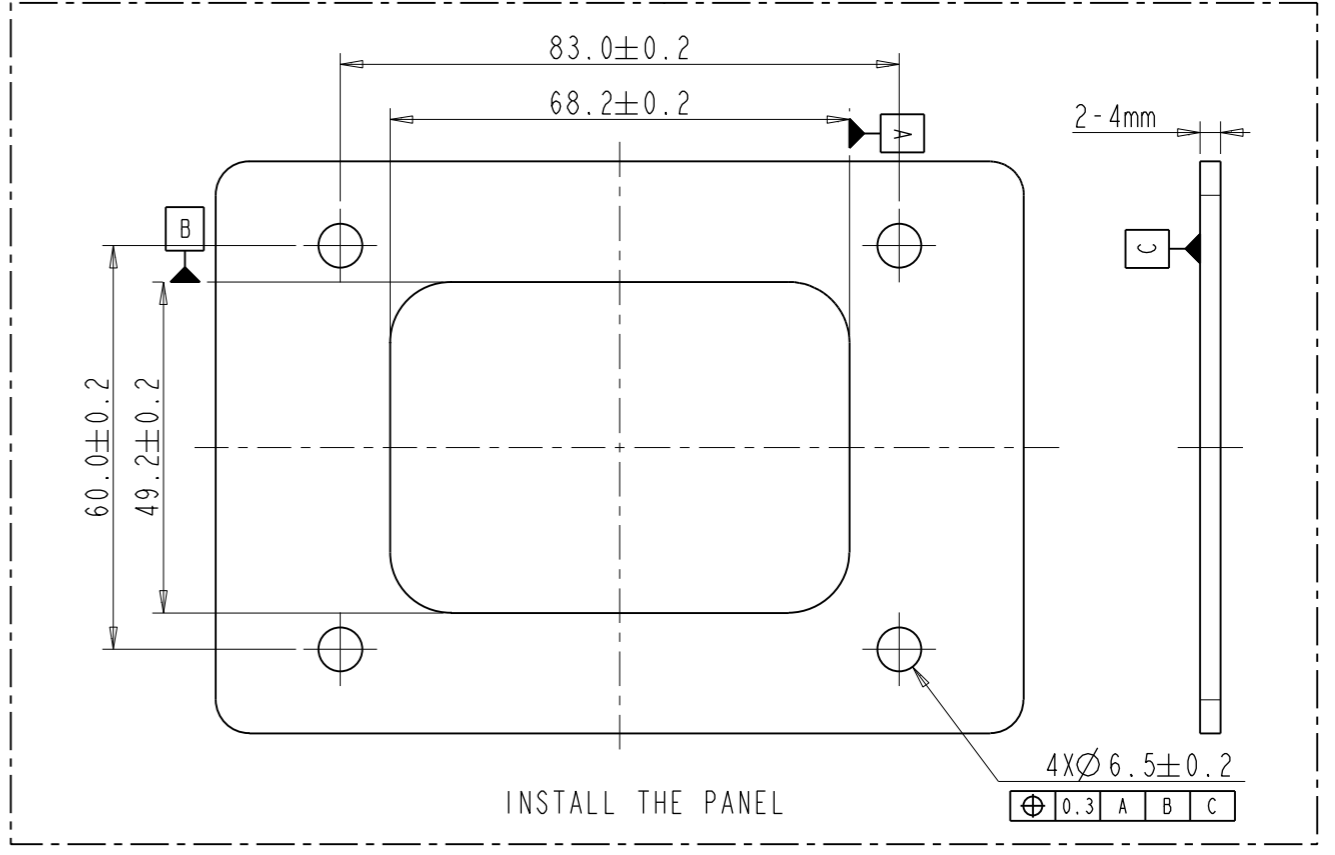
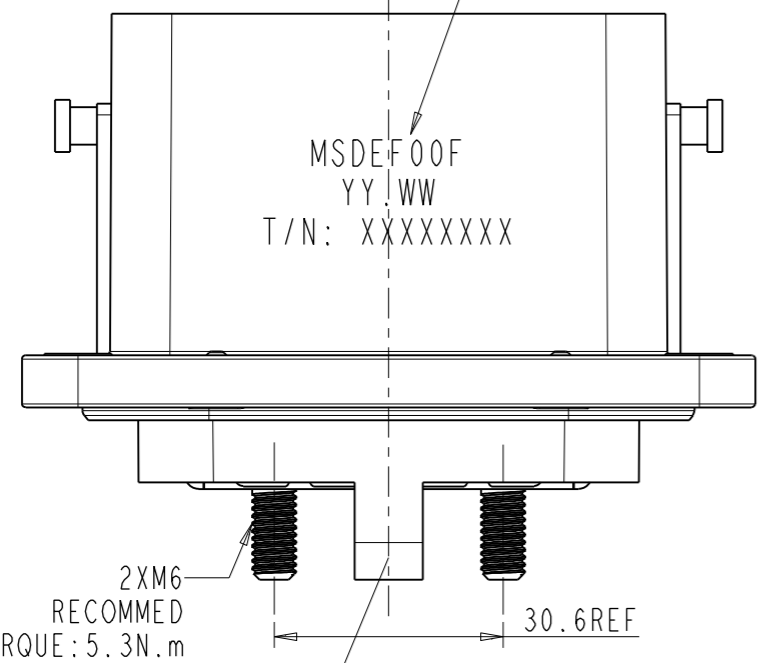
C-MSDEXXXX

C-MSDEXXXX



4XM6
Recommed
Torque=6.0±0.5N.m

SOCKET PRINT:
MSDEF00F: PRODUCT P/N
YY.WW: YEAR.WEEK
T/N: XXXXXXXX:PRODUCTION BATCH NO



SMALL SHELL :P0IBP01102 / 1PCS
HVIL FEMALE PIN:C310003614S /2PCS
NOTES:MSDE HVIL SIGNAL CONNECTOR , SHIPMENT IN BULK
(EXCEPT UNDER SPECIFIED CIRCUMSTANCES)
备注:MSDE HVIL信号连接器, 散装运输(特殊情况除外)

安费诺精密连接器(深圳)有限公司
Amphenol PCD Shenzhen
受控文件
2024年4月30日

ITEM	DESCRIPTION	ORDER P/N	RATED CURRENT
1	SOCKET FRONT MOUNTED	MSDEF00F	350A

SIZE A3	DWG NO. C-MSDEXXXX	REV 1
SCALE: 1:1		SHEET 2 OF 2