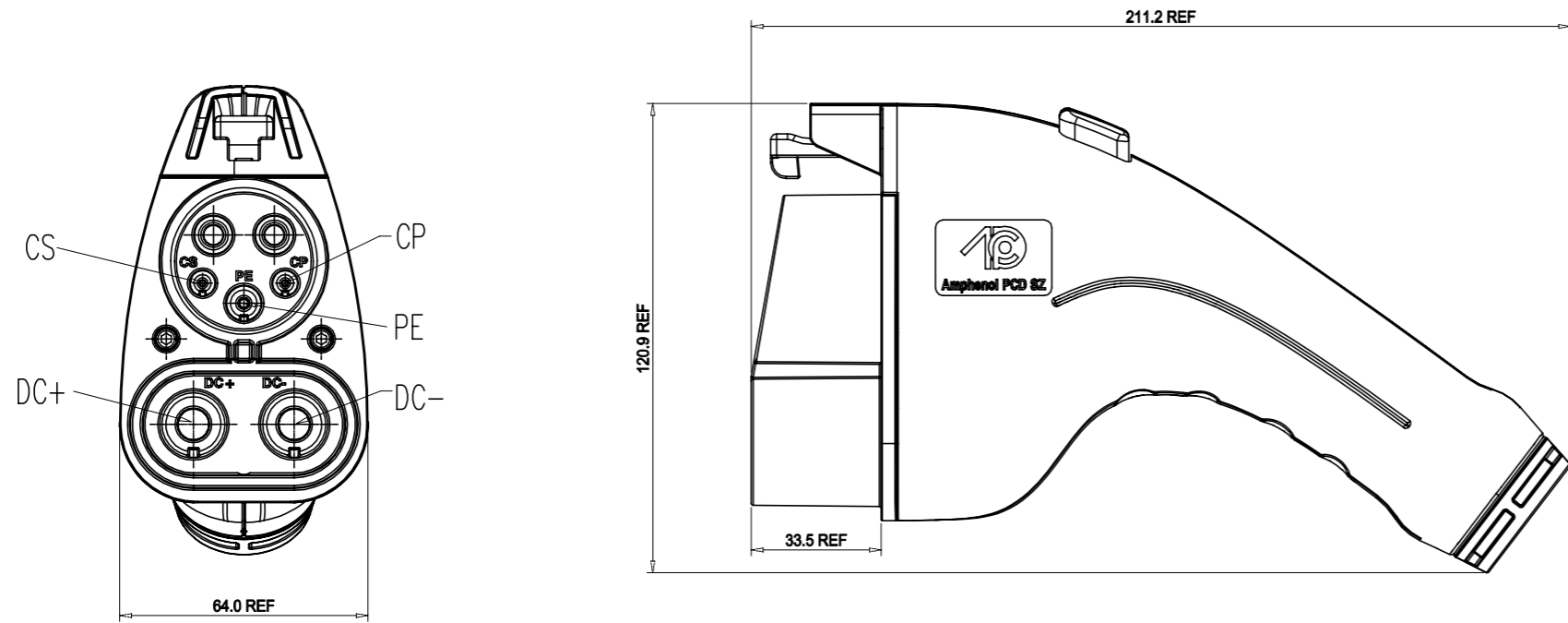
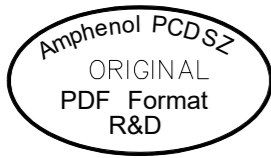


REV	ECN	DESCRIPTION	DATE	MODIFIED
1		FIRST-RELEASE	03/02/23	
2	R6644W	UL&TUV certified by adding "logo" And Modify IP level	07/07/23	



Product model/产品型号:
C-HVCOSAEMDXXAXL0000

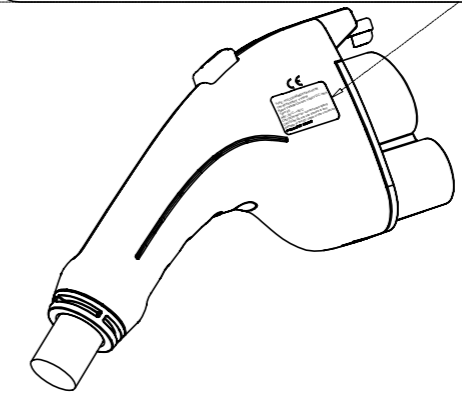
P: Temperature Sensor:PT1000
N: Temperature Sensor:NTC
80A
65A
40A

2
Printing instructions:



TYPE: HVCOSAEMDXXAXLXXXX
T/N:XXXXXXXX (YYWW)
Rated Voltage/Current :1000V DC.(XXA)
Type 3S
A&T:-30°C~+50°C
CAUTION:Not for current interrupting
CAUTION:Do not use if there is any damage to the EV cable or the connector
IP-Class:IP55 (Mated)

TEMPERATURE SENSOR (P/ N)
ELECTRIC CURRENT 80A/65A/40A
YYWW(YEAR WEEK)

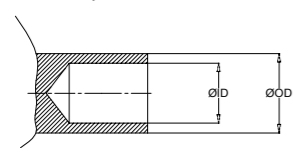


C-HVCOSAEMDXXAXL0000

C-HVCOSAEMDXXAXL0000

HVCOSAEMD80ANL0000/HVCOSAEMD80APL0000 (Remark:"N"=NTC,"P"=PT1000)

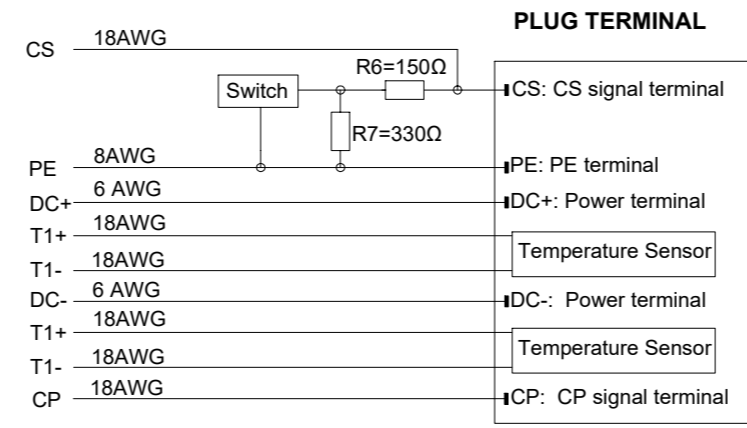
Terminal crimp hole size
(See Table 1):



	ID(±0.1)	OD(±0.1)
DC TERMINAL	5.8	8.5
PE TERMINAL	4.8	6.8
CS TERMINAL	2.3	3.9
CP TERMINAL	1.75	3.0

Table 1

Terminal and cable definition:



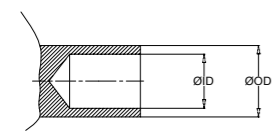
Technical Data:		
Rated Current:	CS/CP:2A	✦
	DC+/DC-:80A @50°C	✦
Rated Votage:	CS/CP:30V	✦
	DC+/DC-:1000V DC @50°C	✦
Withstanding Votage:	CS/CP:500V AC	✦
	DC+/DC-:3000V AC	✦
Insulation Resistance:	100MΩ Min	✦
Contact Resistance:	0.35 Milliohms Max	✦
Durability:	10000 Cycles	◎
IP-Class:	Type 3S(Mated)	◎
Ambient Temperature:	-30°C~+50°C	
Cable outer diameter	23.8±0.2mm	
Housing material:	PC(Black)	
Type of sensor:	PT1000/NTC	
Contact material :	Copper alloy.Silver plating	
DESCRIPTION	PARAMETER	SYMBOL

DIMENSIONS	TOLERANCES	PROJECTION	Amphenol PCD Shenzhen
ANSI Y14.5M	.X ±0.5		ENGR
UNITS: MM	.XX ±0.30		CHKD
CAD FILE	ANGLES ±2°		APPD
ORIGINAL	<p>THIS DOCUMENT CONTAINS PROPRIETARY INFORMATION WHICH IS THE CONFIDENTIAL PROPERTY OF Amphenol PCD Shenzhen Co. Ltd Amphenol PCD Shenzhen Co. Ltd RESERVES THE RIGHT TO CLARIFY THIS DRAWING</p>		SCALE 1:1

TITLE			
SAE Combo Plug			
SIZE	DWG NO.	REV	
A3		2	
SCALE 1:1		SHEET 1 OF 2	

HVCOSAEMD65ANL0000/HVCOSAEMD65APL0000(Remark:"N"=NTC,"P"=PT1000)

Terminal crimp hole size
(See Table 1):



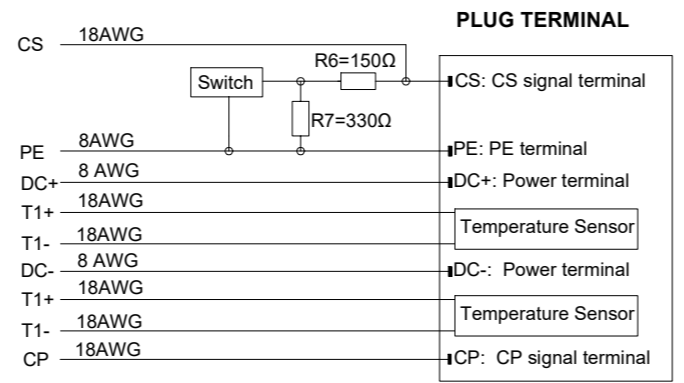
	ID(±0.1)	OD(±0.1)
DC TERMINAL	4.8	6.8
PE TERMINAL	4.8	6.8
CS TERMINAL	2.3	3.9
CP TERMINAL	1.75	3.0

Table 1

Technical Data:

Rated Current:	CS/CP:2A	+
	DC+/DC-:65A @50°C	+
Rated Voltage:	CS/CP:30V	+
	DC+/DC-:1000V DC @50°C	+
Withstanding Voltage:	CS/CP:500V AC	+
	DC+/DC-:3000V AC	+
Insulation Resistance:	100MΩ Min	+
Contact Resistance:	0.35 Milliohms Max	+
Durability:	10000 Cycles	⊙
IP-Class:	Type 3S(Mated)	⊙
Ambient Temperature:	-30°C~+50°C	
Cable outer diameter	23.8±0.2mm	
Housing material:	PC(Black)	
Type of sensor:	PT1000/NTC	
Contact material :	Copper alloy.Silver plating	
DESCRIPTION	PARAMETER	SYMBOL

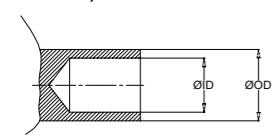
Terminal and cable definition:



C-HVCOSAEMDXXAXL0000

HVCOSAEMD40ANL0000/HVCOSAEMD40APL0000(Remark:"N"=NTC,"P"=PT1000)

Terminal crimp hole size
(See Table 1):



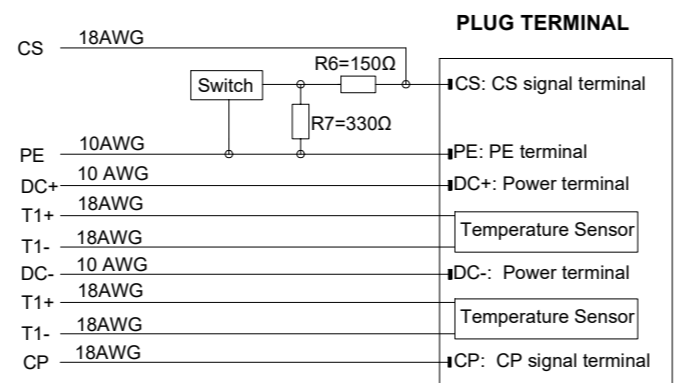
	ID(±0.1)	OD(±0.1)
DC TERMINAL	3.5	5.5
PE TERMINAL	3.5	5.5
CS TERMINAL	2.3	3.9
CP TERMINAL	1.75	3.0

Table 1

Technical Data:

Rated Current:	CS/CP:2A	+
	DC+/DC-:40A @50°C	+
Rated Voltage:	CS/CP:30V	+
	DC+/DC-:1000V DC @50°C	+
Withstanding Voltage:	CS/CP:500V AC	+
	DC+/DC-:3000V AC	+
Insulation Resistance:	100MΩ Min	+
Contact Resistance:	0.35 Milliohms Max	+
Durability:	10000 Cycles	⊙
IP-Class:	Type 3S(Mated)	⊙
Ambient Temperature:	-30°C~+50°C	
Cable outer diameter	19.5±0.2mm	
Housing material:	PC(Black)	
Type of sensor:	PT1000/NTC	
Contact material :	Copper alloy.Silver plating	
DESCRIPTION	PARAMETER	SYMBOL

Terminal and cable definition:



C-HVCOSAEMDXXAXL0000

SIZE	DWG NO.	REV
A3	C-HVCOSAEMDXXAXL0000	2
SCALE 1:1		SHEET 2 OF 2