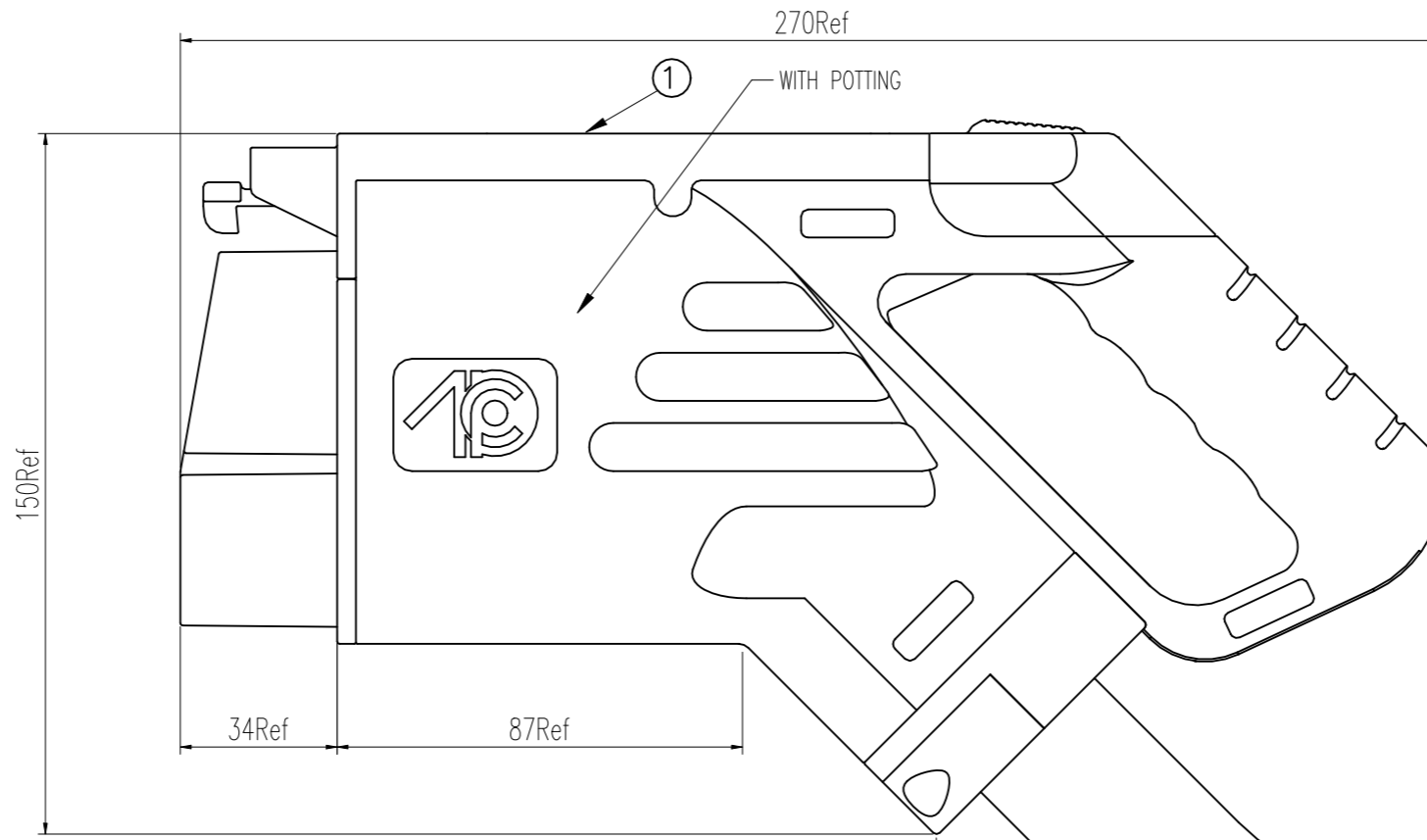
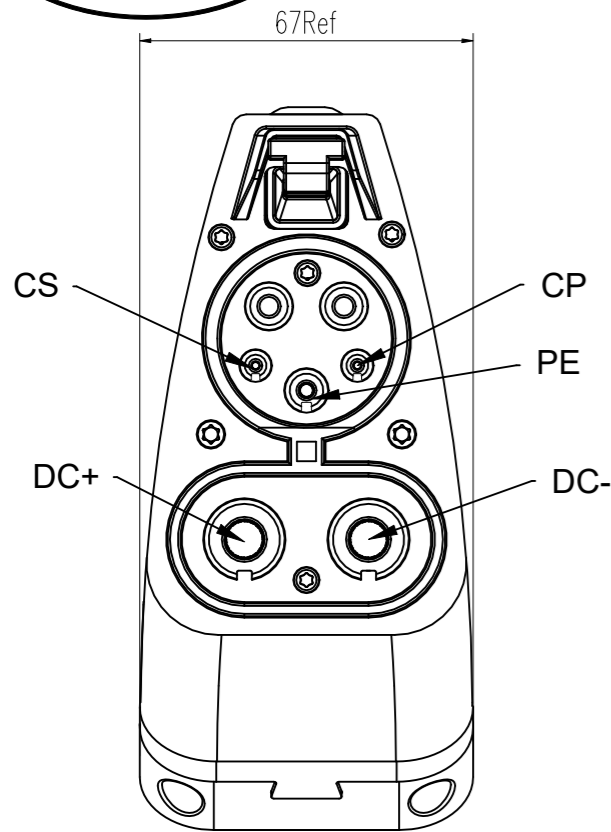


REV	ECN	DESCRIPTION	DATE	MODIFIED
1		RELEASE	Feb-20-2023	
2	R7136N	ADDED UL LOGO ON LASER MARKING	May-24-2023	
3	R7717W	UPDATE SHELL PRINTING&NOTE	Apr-10-2024	

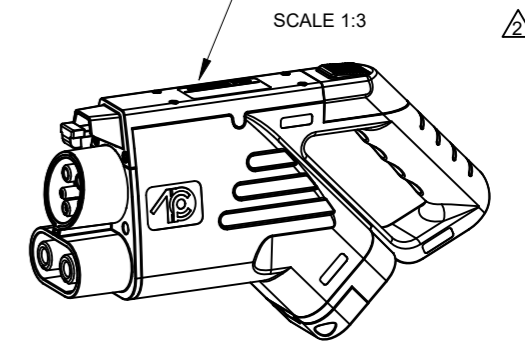
Amphenol PCD S2  
ORIGINAL  
PDF Format  
R&D



T / N: XXXXXXXX indicates the work order number  
YYWW indicates year/week

**Amphenol PCD**

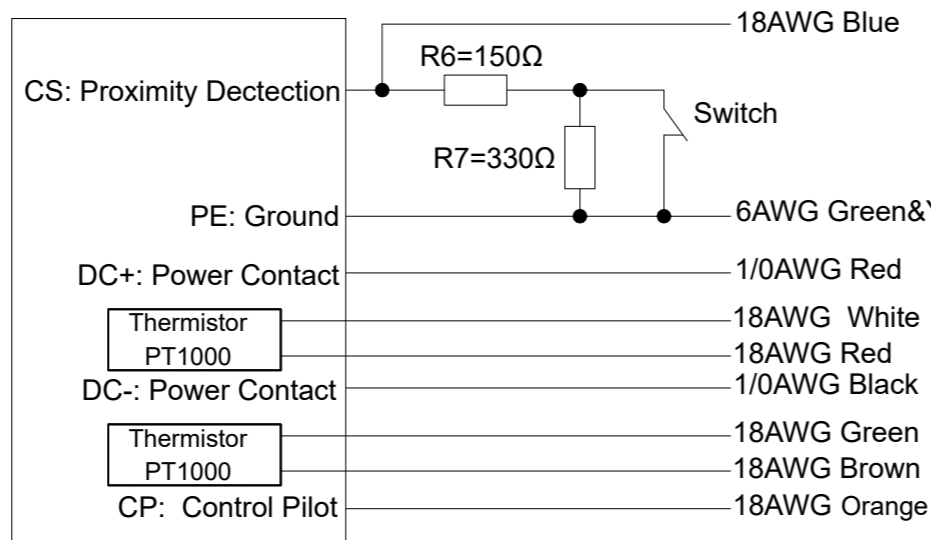
TYPE: HVCOSAEM200AML TYPE 3S T/N:XXXXXXXX YYWW  
Rated . 200 A, 1000 Vdc . A&T:-40°C~+50°C  
CAUTION:Not for current interrupting.  
Connector is intended for use with Inlet Models type SAE J1772  
CAUTION:Do not use if there is any damage to the EV cable or the connector



C-HVCOSAEM200AMLXXXX

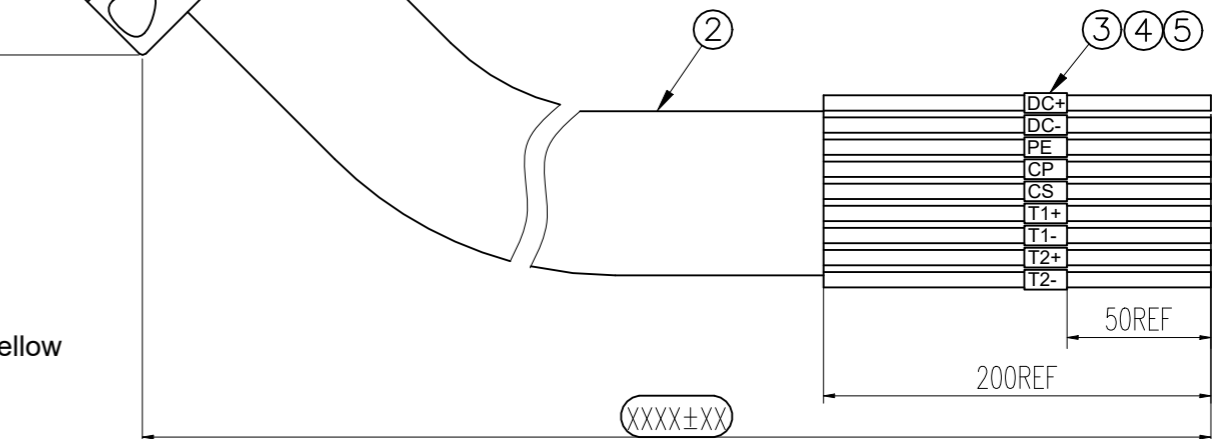
C-HVCOSAEM200AMLXXXX

Mode Of Connection:



- NOTES: <sup>3</sup>
- Cable assembly data:
    - 1>.Ambient Temperature: -40°C~+50°C,
    - 2>.Rated Voltage & Rated Current:
      - CP, CS: DC 30V ,2A;
      - DC+,DC-: DC 1000V, 200A
      - (Matched with 70mm<sup>2</sup> inlet at least )
    - 2. Outdoor Use : UL Type 3S (Water resistant)
    - 3. Durability: 10000 cycles
    - 4. The Type Of Temperature Sensor: PT1000
    - 5. Dielectric Withstand Voltage :
      - DC+,DC-,PE: 3000V AC r.m.s; CP&CS&thermistor wires:500V AC r.m.s
    - 6. Insulation Resistance Test: DC+/DC-&PE: DC1000V, 5MΩ MIN;
      - CP&CS&thermistor wires:DC500V, 5MΩ MIN
    - 7. Reference For SAE J1772 ,UL2251
    - 8. RoHS Compliance
    - 9.Cable minimum bending radius:≥6XOD
    - 10. HVCOSAEM200AMLXXXX

LENGTH	TOLERANCE
0~1000mm	±50
1001~5000mm	±100
>5000mm	±200



⑤	C210006511	SINGLE-WALL H.S.T: Ø12 WHITE	0.02	m
④	P05B000029	SINGLE-WALL H.S.T: Ø3.2 WHITE	0.12	m
③	C210006512	SINGLE-WALL H.S.T: Ø19 WHITE	0.04	m
②	P01BC00257	2X1/0AWG+1X6AWG+6X18AWG BLACK OD=37.3±0.6mm	AR	m
①	HVCOSAEM200AML0000	CCS1 PLUG 200A 1000V	1	EA

DIMENSIONS	TOLERANCES	PROJECTION
ANSI Y14.5M	.X ± 0.5	
UNITS: MM	.XX ± 0.05	
CAD FILE	ANGLES ± 2'	

ORIGINAL

THIS DOCUMENT CONTAINS PROPRIETARY INFORMATION WHICH IS THE CONFIDENTIAL PROPERTY OF Amphenol PCD Shenzhen Co. Ltd  
Amphenol PCD Shenzhen Co. Ltd RESERVES THE RIGHT TO CLARIFY THIS DRAWING

ITEM	P/N	DESCRIPTION	QTY	UNIT
Amphenol PCD Shenzhen		<b>CCS1 PLUG 200A CABLE ASSEMBLY</b>		
ENGR	May-24-22			
CHKD				
APPD		SIZE A3	DWG NO. C-HVCOSAEM200AMLXXXX	REV 3
		SCALE 1:1	SHEET 1 OF 1	