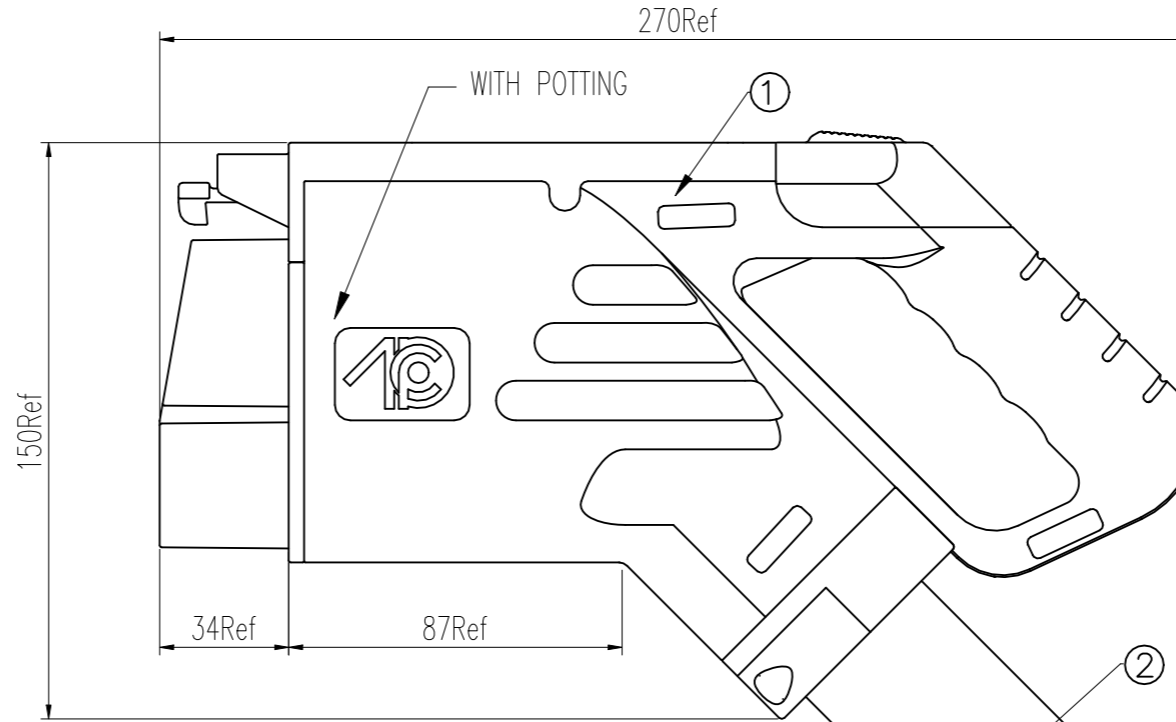
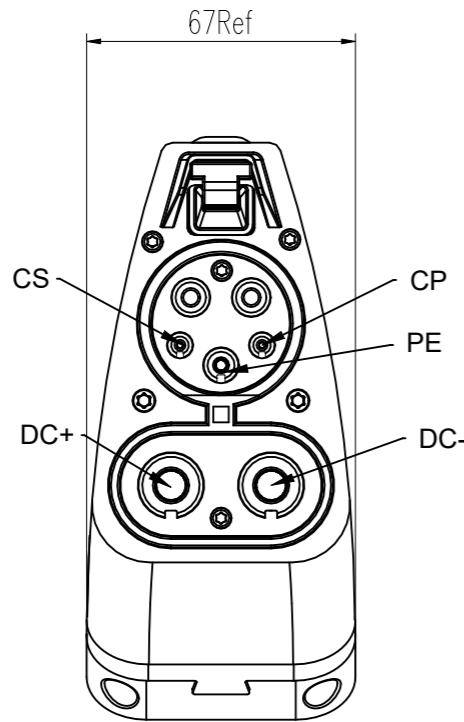


REV	ECN	DESCRIPTION	DATE	MODIFIED
1		RELEASE	Nov-16-2023	
2	R7717W	UPDATE SHELL PRINTING&NOTE	Apr-10-2024	

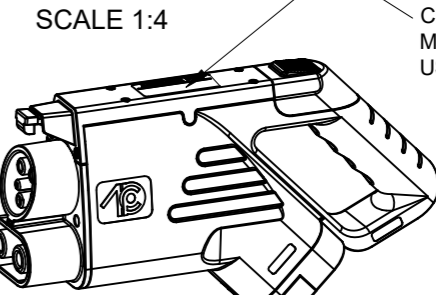
Amphenol PCD'S ORIGINAL PDF Format R&D



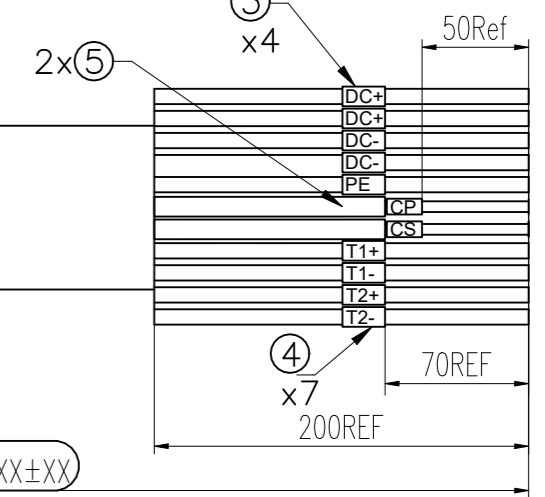
T / N: XXXXXXXX indicates the work order number
YYWW indicates year/week

Amphenol PCD

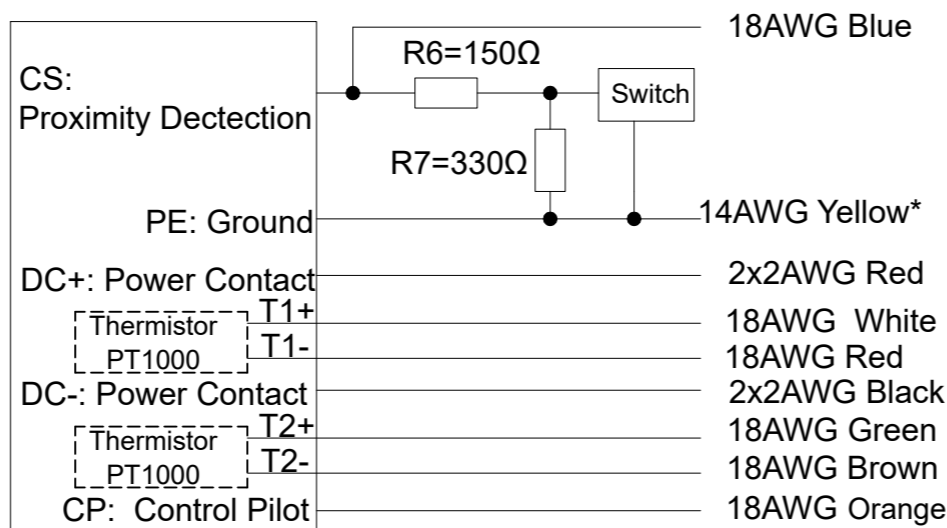
TYPE: HVCOAEM250AML TYPE 3S T/N:XXXXXXXX YYWW
Rated: 250 A, 1000 Vdc . A&T:-40°C~+50°C
CAUTION: Not for current interrupting.
Connector is intended for use with Inlet Models type SAE J1772
CAUTION: Do not use if there is any damage to the EV cable or the connector XX



CN: Made in China
MX: Made in Mexico
US: Made in US



Mode Of Connection:



LENGTH	TOLERANCE
0~1000mm	±50
1001~5000mm	±100
>5000mm	±200

⑤	C210000080	SINGLE-WALL H.S.T: Ø5.0 BLACK	0.26	m
④	P05B000029	SINGLE-WALL H.S.T: Ø3.2 WHITE	0.12	m
③	C210006511	SINGLE-WALL H.S.T: Ø12 WHITE	0.12	m
②	CABLE	4X2AWG+14AWG+6X18AWG BK OD30.5mm	AR	m
①	HVCOAEM250AML0000	CCS1 PLUG 250A 1000V	1	EA

DIMENSIONS	TOLERANCES	PROJECTION
ANSI Y14.5M	.X ± 0.5	
UNITS: MM	.XX ± 0.05	
CAD FILE	ANGLES ± 2'	

ITEM	P/N	DESCRIPTION	QTY	UNIT
Amphenol PCD Shenzhen		TITLE		
ENGR		CCS1 250A PLUG CABLE ASSEMBLY		
CHKD		SIZE	DWG NO.	REV
APPD		A3	C-HVCOAEM250AMLXXXX	2
		SCALE	SHEET	
		2:1	1 OF 1	

QR code Content including:
Part number#Work order number
#Serial number ex:0001
(ex:HVCOAEM250AML5000#XXXXXXXX#0001)

NOTES: 2

- Cable assembly data:
 - Storage temperature: -40°C ~ +80°C
Ambient Temperature: -40°C~+50°C, (+55°C max, Current reduction required, when the working temperature is beyond 90°C)
- Rated Voltage & Rated Current:
 - CP, CS: DC 30V ,2A;
DC+,DC-: DC 1000V,250A Max
- Outdoor Use : UL Type 3S (Water resistant)
- Durability: 10000 cycles
- The Type of Temperature Sensor: PT1000
- Dielectric Withstand Voltage :
 - DC+,DC-,PE: 3000V AC r.m.s, CP&CS&thermistor wires:500V AC r.m.s
- Insulation Resistance Test:
 - DC+/DC-&PE: DC1000V, 5MΩ MIN;
CP&CS&thermistor wires:DC500V, 5MΩ MIN
- Reference For SAE J1772 ,UL2251
- RoHS Compliance
- Cable minimum bending radius:≥10XOD
- *- Ground wire is suitable for isolated DC EV supply equipment as reference earth or function earth.

C-HVCOAEM250AMLXXXX

C-HVCOAEM250AMLXXXX