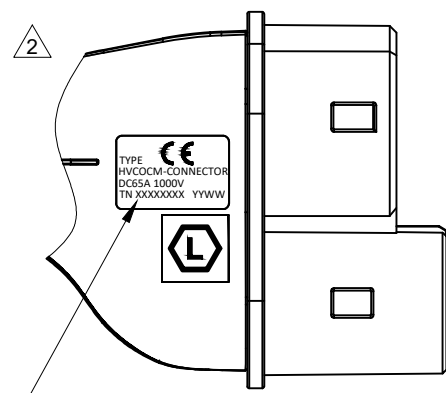
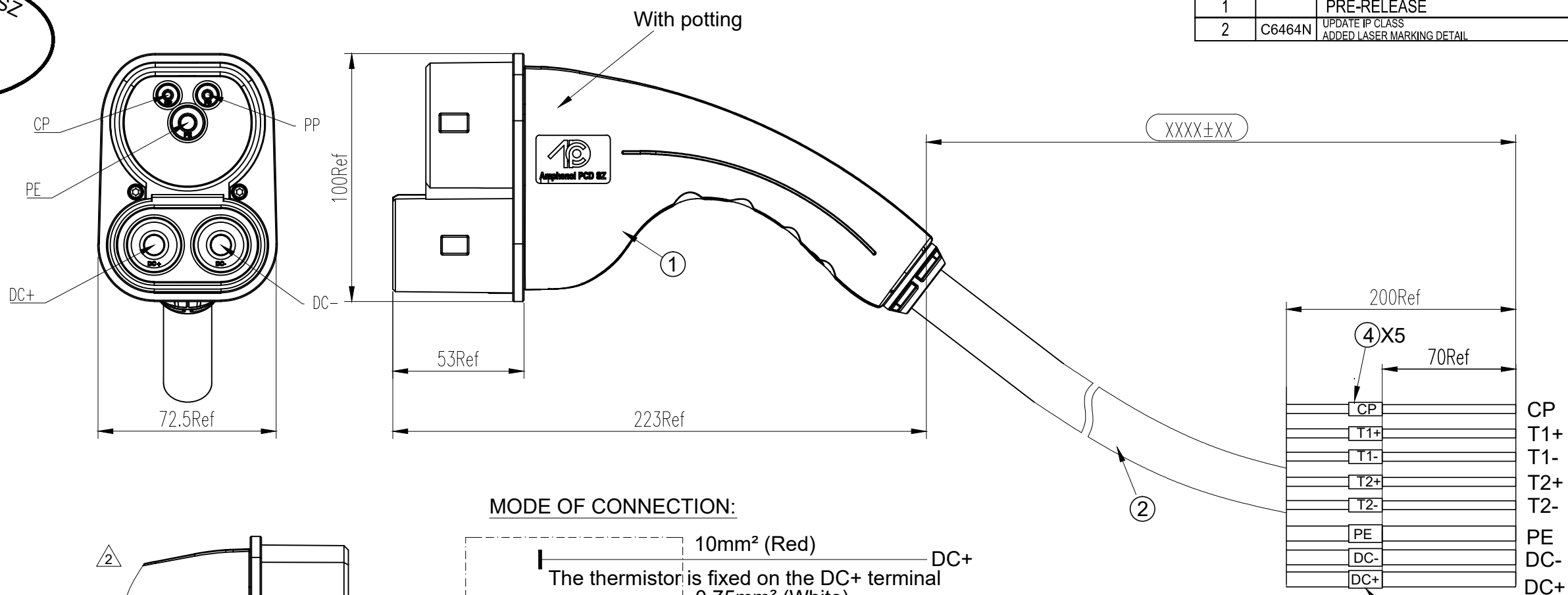
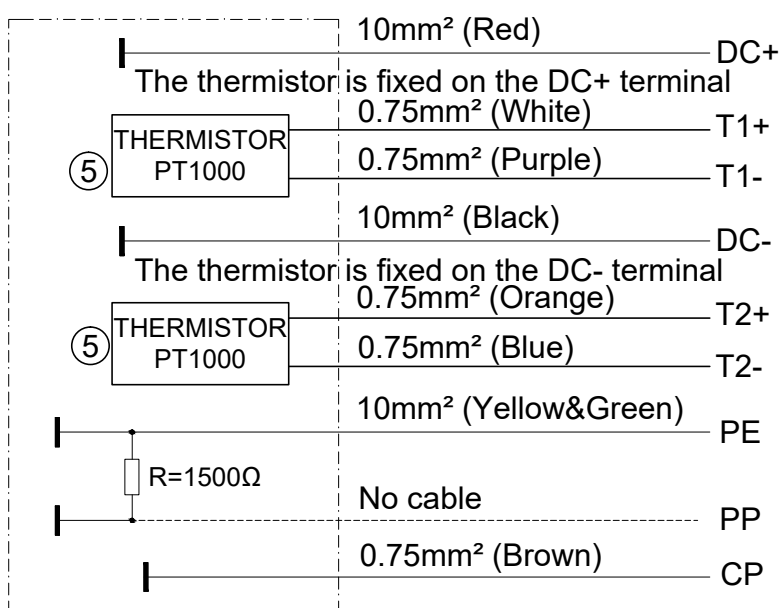


REV	ECN	DESCRIPTION	DATE	MODIFIED
1		PRE-RELEASE	Jan-21-2022	
2	C6464N	UPDATE IP CLASS ADDED LASER MARKING DETAIL	Oct-08-2022	

Amphenol PCD SZ
ORIGINAL
PDF Format
R&D



MODE OF CONNECTION:



安费诺精密连接器(深圳)有限公司
Amphenol PCD Shenzhen
受控文件
2022年10月20日

T / N: XXXXXXXX indicates the work order number+batch number
YYWW indicates year/week

*Notes:

- Cable assembly data:
Ambient temperature:-30~+50°C
 - Rated Voltage:1000V DC(DC+&DC-) 30V DC(CP&PP);
 - Rated Current: 2A Max(CP&PP);65A Max(DC+&DC-)
 - Insulation Resistance:100MΩ Min(DC 1000V for DC+& DC-& PE),(DC 500V for CP,Thermistor wires);
 - Withstand Voltage : 3000V/AC r.m.s(DC+&DC-);500V/AC r.m.s(CP);
 - IP-Class: IP44(un-mated); IP55(mated); ⚠
 - RoHS Compliance
- IEC Plug reference:C-HVCOCMCR8PF510L0000
- Reference For, IEC 62196-3; EN17186
- Cable minimum bending radius:≥10XOD
- C-HVCOCMCTR8PF510LXXXX

©6.Durability: 10000 cycles

LENGTH	TOLERANCE
0~1000mm	±50
1001~5000mm	±100
>5000mm	±200

⑤	P01BN00749	PT1000 Φ3X12,L=200	2	EA
④	C210006837	H.S.T:Ø 3.2mm WHITE LABEL	0.10	m
③	C210006510	H.S.T:Ø 6.4mm WHITE LABEL	0.06	m
②	P01BC00235	3X10mm²+3X2X0.75mm² BLACK OD=16.4	AR	m
①	HVCOCMCR8PF510L0000	COMBO II VEHICLE PLUG,DC 60A	1	EA
ITEM	P/N	DESCRIPTION	QTY	UNIT

DIMENSIONS	TOLERANCES	PROJECTION	TITLE	
ANSI Y14.5M	.X ± 0.50		IEC COMBO FOR VEHICLE COUPLER BLACK PLUG-65A CABLE ASSEMBLY	
UNITS: MM	.XX ± 0.05			
CAD FILE	ANGLES ± 2'			
ORIGINAL	THIS DOCUMENT CONTAINS PROPRIETARY INFORMATION WHICH IS THE CONFIDENTIAL PROPERTY OF Amphenol PCD Shenzhen Co. Ltd Amphenol PCD Shenzhen Co. Ltd RESERVES THE RIGHT TO CLARIFY THIS DRAWING		Amphenol PCD Shenzhen ENGR Jan-21-2022	SIZE A3
			DWG NO. C-HVCOCMCTR8PF510LXXXX	REV 2
			CODE: 58982	SCALE 1:2
			SHEET 1 OF 1	

C-HVCOCMCTR8PF510LXXXX

C-HVCOCMCTR8PF510LXXXX